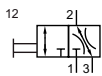


Technical details

Temperature range	-10°C ... +60°C
Input range	max. 16 bar
Mounting	arbitrary
Medium	compressed air according to ISO 8573-1:2010, neutral gases
Materials	Body: zinc diecasting, seals: NBR, inner parts: plastic and brass



3/2 directional control valve, operated by a knob.
Locking: padlock possible.



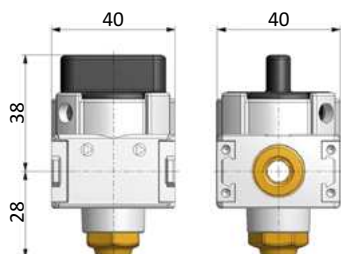
Order code

Series	KK-**-00-0-0001 ↳ ↳
Connection	
18	G1/8
14	G1/4

Technical data

Model-no.:	KK-18-...	KK-14-...
Connection	G1/8	G1/4
Flow (1-2 in NI/min)	1800	1800
Weight (kg)	0.21	0.20

Dimensions

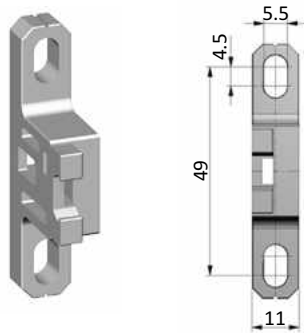


Fastening elements

Mounting bracket WK-00

Mounting bracket (set of two pieces) made of PA 66. Mounting only sidewise possible.

WK-00



Coupling kit KPK

KPK-00

