

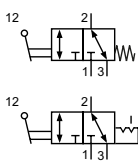
Technical details

<b>Temperature range</b>	-10°C ... +70°C
<b>Medium</b>	Filtered, oil-free and dried compressed air according to ISO 8573-1:2010, Class 7:2:4, instrument air, free of aggressive additives. Differing the pressure dew point must be at least 10°C below lowest occurring ambient temperature.
<b>Materials</b>	Body: Al (anodized), seals: NBR and POM, inner parts: Al, stainless steel and brass
	Valves in accordance with 2014/34/EU (ATEX) available. (Chapter 13)



Hand lever operated spool valve.

3/2-way-Valves

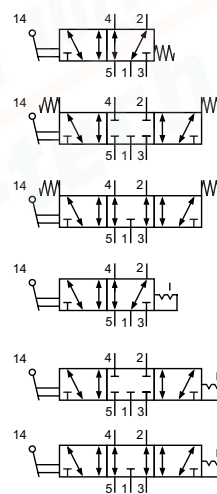


**HF-xx-310**  
3/2-way, hand lever, mechanical spring return

**HR-xx-320**  
3/2-way, two positions, hand lever, detent

Please complete: xx = 18 for G1/8  
xx = 14 for G1/4  
xx = 12 for G1/2

5/2- and 5/3-way-Valves



**HF-xx-510**  
5/2-way, hand lever, mechanical spring return

**HF-xx-530**  
5/3-way, center position closed, hand lever, spring return

**HF-xx-533**  
5/3-way, center position exhausted, hand lever, spring return

**HR-xx-520**  
5/2-way, two positions, hand lever, detent

**HR-xx-530**  
5/3-way, center position closed, hand lever, detent

**HR-xx-533**  
5/3-way, center position exhausted, hand lever, detent

Technical data

Model-no.:	HF-18-310	HF-14-310	HF-12-310	HF-18-510	HF-14-510	HF-12-510
<b>Connection</b>	G1/8	G1/4	G1/2	G1/8	G1/4	G1/2
<b>Nominal size (mm)</b>	6	9	14	6	9	14
<b>Flow rate (NI/min)</b>	750	1580	3300	750	1580	3300
<b>Operating pressure (bar)</b>	0 ... 12	0 ... 12	0 ... 12	0 ... 12	0 ... 12	0 ... 12
<b>Actuating force at 6 bar (N)</b>	13	20	32	13	20	32
<b>Weight (kg)</b>	0.266	0.48	1.21	0.31	0.56	1.43

Model-no.:	HF-18-530	HF-14-530	HF-12-530	HF-18-533	HF-14-533	HF-12-533
<b>Connection</b>	G1/8	G1/4	G1/2	G1/8	G1/4	G1/2
<b>Nominal size (mm)</b>	6	9	14	6	9	14
<b>Flow rate (NI/min)</b>	780	1800	3300	780	1800	3300
<b>Operating pressure (bar)</b>	0 ... 10	0 ... 12	0 ... 12	0 ... 10	0 ... 12	0 ... 12
<b>Actuating force at 6 bar (N)</b>	20	25	36	20	25	36
<b>Weight (kg)</b>	0.32	0.58	1.43	0.32	0.58	1.43

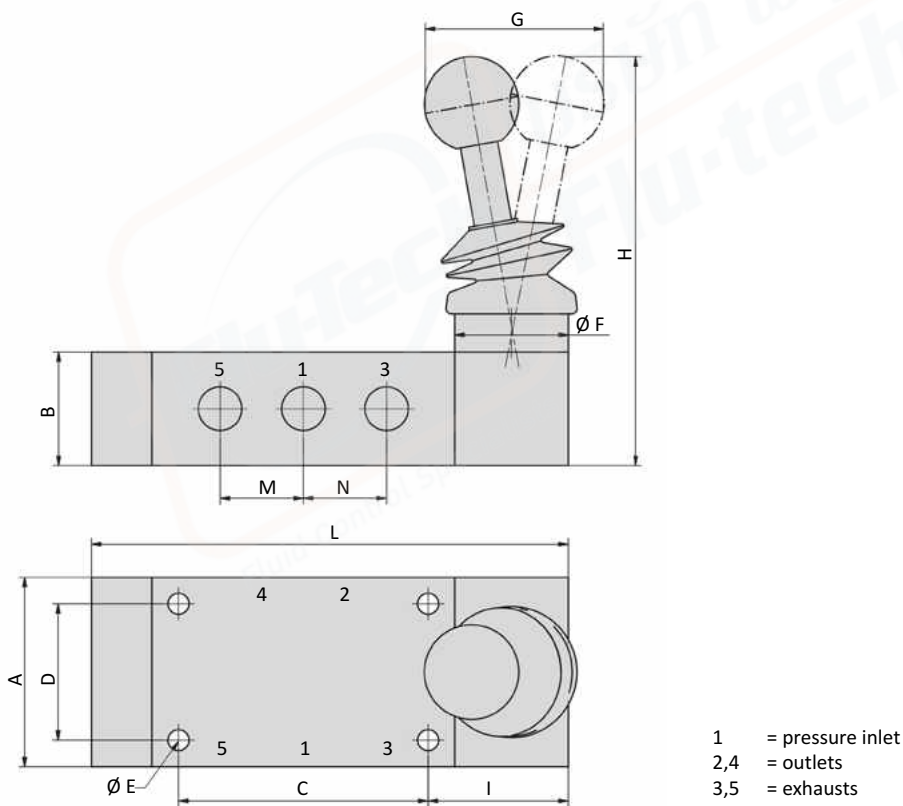
Model-no.:	HR-18-320	HR-14-320	HR-12-320	HR-18-520	HR-14-520	HR-12-520
<b>Connection</b>	G1/8	G1/4	G1/2	G1/8	G1/4	G1/2
<b>Nominal size (mm)</b>	6	9	14	6	9	14
<b>Flow rate (NI/min)</b>	750	1580	3300	750	1580	3300
<b>Operating pressure (bar)</b>	0 ... 12	0 ... 12	0 ... 12	0 ... 12	0 ... 12	0 ... 12
<b>Actuating force at 6 bar (N)</b>	16	24	36	16	24	36
<b>Weight (kg)</b>	0.268	0.485	1.215	0.312	0.564	1.43

## Series HF, HR

### Technical data

Model-no.:	HR-18-530	HR-14-530	HR-12-530	HR-18-533	HR-14-533	HR-12-533
Connection	G1/8	G1/4	G1/2	G1/8	G1/4	G1/2
Nominal size (mm)	6	9	14	6	9	14
Flow rate (NI/min)	780	1800	3300	780	1800	3300
Operating pressure (bar)	0 ... 10	0 ... 12	0 ... 12	0 ... 10	0 ... 12	0 ... 12
Actuating force at 6 bar (N)	20	25	40	20	25	40
Weight (kg)	0.32	0.58	1.43	0.32	0.58	1.43

### Dimensions



Model-no.:	A	B	C	D	Ø E	Ø F	G	H	I	L	M	N
HF-18-310 HR-18-320	40	25	34	30	4.5	25	36	88	31	87	-	18
HF-14-310 HR-14-320	50	30	44	36	5.5	30	46	112	37	104	-	22
HF-12-310 HR-12-320	70	40	70	50	6.5	40	64	148	51	148	-	36
HF-18-510 HR-18-520	40	25	52	30	4.5	25	36	88	31	105	18	18
HF-14-510 HR-14-520	50	30	66	36	5.5	30	46	112	37	126	22	22
HF-12-510 HR-12-520	70	40	106	50	6.5	40	64	148	51	184	36	38
HF-18-53x HR-18-53x	40	25	52	30	4.5	25	45	88	31	105	18	18
HF-14-53x HR-14-53x	50	30	66	36	5.5	30	53	112	37	126	22	22
HF-12-53x HR-12-53x	70	40	106	50	6.5	40	64	148	51	193	36	36