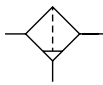


Technical details

Temperature range	-10°C ... +50°C
Input range	1.5 ... 16 bar (size Y0 max. 12 bar)
Mounting	vertically, drain at bottom
Medium	compressed air according to ISO 8573-1:2010, neutral gases
Materials	Body: Grivory (PA66), bowl: PC, seals: NBR, inner parts: POM

Sintered filter according to the centrifugal force principle.


Order code

Series		Versions	
FY	Standard filter	Digit 1	Bowl
FYF	Coalescing filter	1	PC with PA-guard
FYM	Micro filter	3	metal bowl with sight glass
FYA	Activated carbon filter	Digit 2	Drain
		0	without
		2	semi-automatic (standard)
		3	automatic. NO (open at 0 bar input pressure)
		4	automatic. NC (closed at 0 bar input pressure)
Connection / Size		Filter element	
04	G1/4 / Y0	5	5 µm (standard)
14	G1/4 / Y1	3	0.3 µm
37	G3/8 / Y1	1	0.01 µm
38	G3/8 / Y2	A	Activated carbon filter 0.005 µm
12	G1/2 / Y2		
34	G3/4 / Y3		
10	G1 / Y3		

FY*-*-00-*-*-01

Filter FY

Technical data

Model-no.:	FY-04-...	FY-14-...	FY-37-...	FY-38-...	FY-12-...	FY-34-...	FY-10-...
Connection	G1/4	G1/4	G3/8	G3/8	G1/2	G3/4	G1
Size	Y0	Y1	Y1	Y2	Y2	Y3	Y3
Flow (NI/min)*	1000	2000	2000	3500	5100	8000	8000
Bowl volume (cm ³)	16	28	28	49	49	87	87
Weight (kg)	0.13	0.25	0.24	0.42	0.40	0.89	0.86

* Measured at p1 = 6 bar and Δp = 1 bar.

Model-no.:	FYF-04-...	FYF-14-...	FYF-37-...	FYF-38-...	FYF-12-...	FYF-34-...	FYF-10-...
Connection	G1/4	G1/4	G3/8	G3/8	G1/2	G3/4	G1
Size	Y0	Y1	Y1	Y2	Y2	Y3	Y3
Flow (NI/min)*	450	500	500	750	750	2000	2000
Bowl volume (cm ³)	16	28	28	49	49	87	87
Weight (kg)	0.13	0.28	0.27	0.46	0.44	1.02	0.95

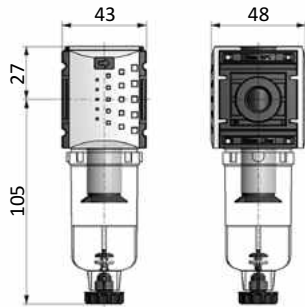
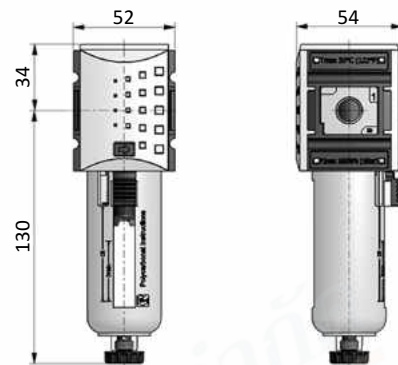
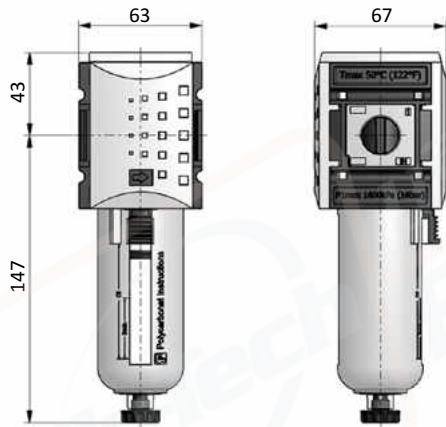
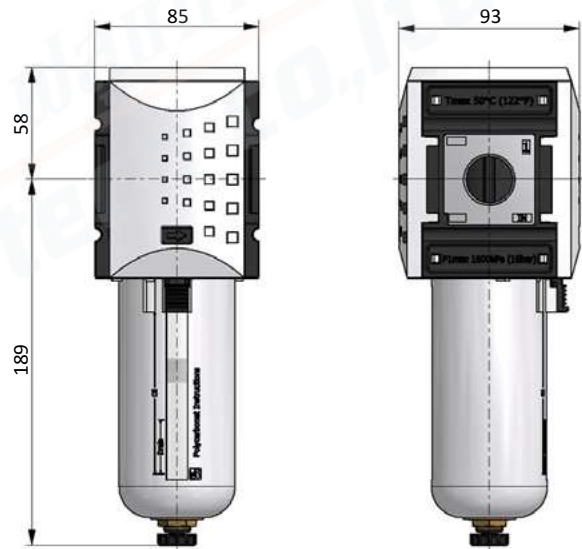
* Measured at p1 = 6 bar and Δp = 0.2 bar.

Model-no.:	FYM-04-...	FYM-14-...	FYM-37-...	FYM-38-...	FYM-12-...	FYM-34-...	FYM-10-...
Connection	G1/4	G1/4	G3/8	G3/8	G1/2	G3/4	G1
Size	Y0	Y1	Y1	Y2	Y2	Y3	Y3
Flow (NI/min)*	350	350	350	450	450	1500	1500
Bowl volume (cm ³)	16	28	28	49	49	87	87
Weight (kg)	0.13	0.28	0.27	0.46	0.44	1.02	0.95

* Measured at p1 = 6 bar and Δp = 0.1 bar.

Model-no.:	FYA-04-...	FYA-14-...	FYA-37-...	FYA-38-...	FYA-12-...	FYA-34-...	FYA-10-...
Connection	G1/4	G1/4	G3/8	G3/8	G1/2	G3/4	G1
Size	Y0	Y1	Y1	Y2	Y2	Y3	Y3
Flow (NI/min)*	500	500	500	1600	1600	3000	3000
Weight (kg)	0.14	0.26	0.25	0.44	0.42	0.97	0.91

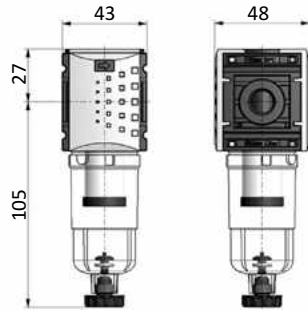
* Measured at p1 = 6 bar and Δp = 0.2 bar.

Dimensions FY
Size Y0

Size Y1

Size Y2

Size Y3


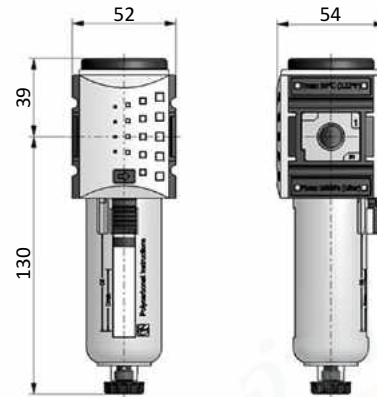
Filter FY

Dimensions FYF, FYM

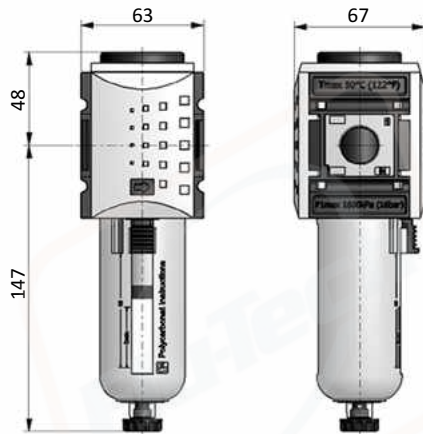
Size Y0



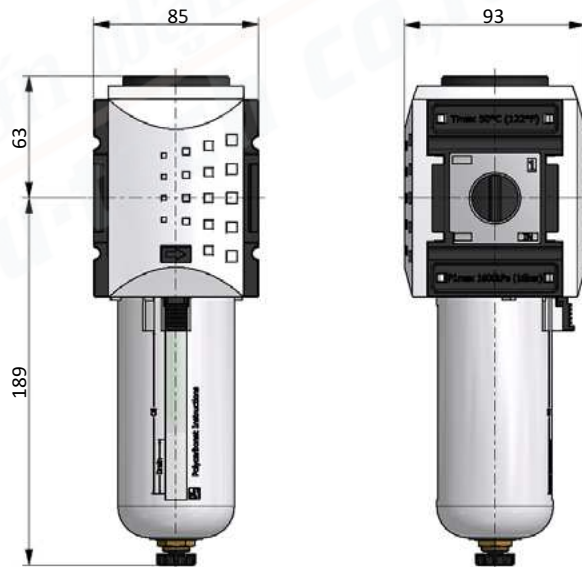
Size Y1

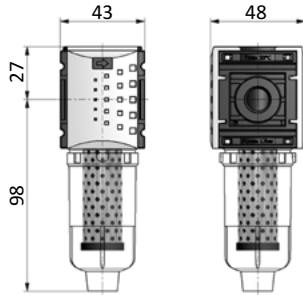
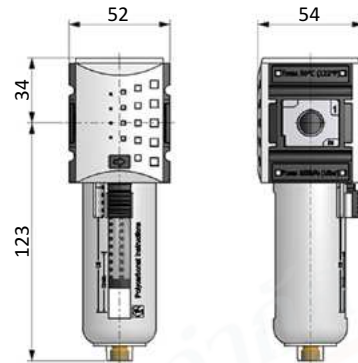
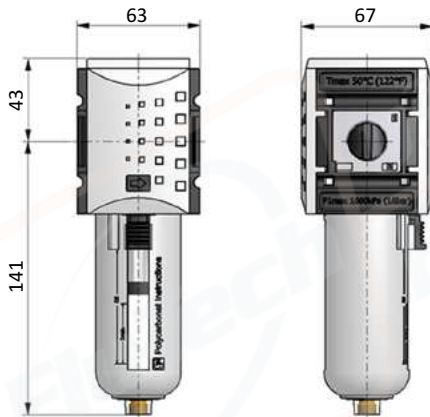
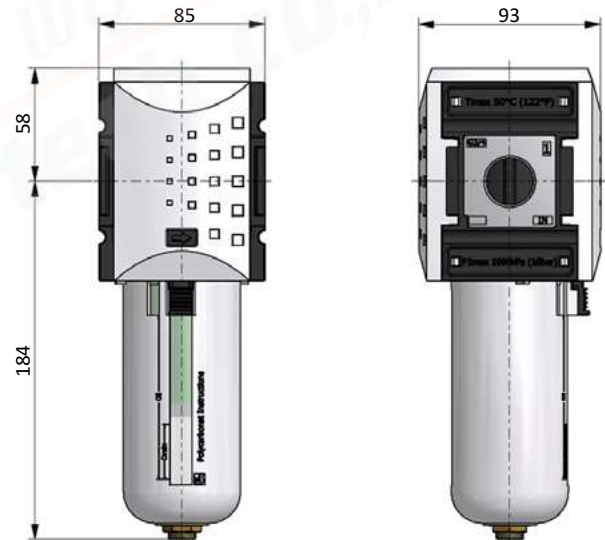


Size Y2



Size Y3



Dimensions FYA
Size Y0

Size Y1

Size Y2

Size Y3


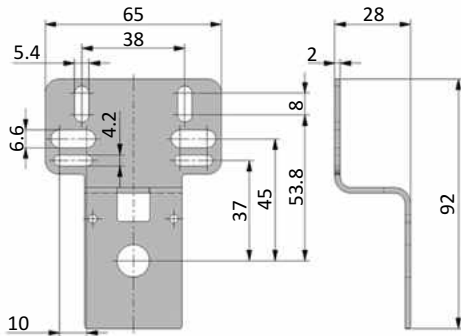
Fastening elements

Bracket kit WYP

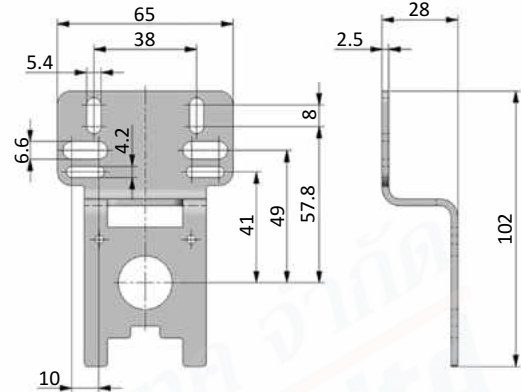
Bracket kit made of zinc coated steel.

The bracket can be mounted at the rear side after removing the rear cover of the unit. The 2 mounting screws are included.

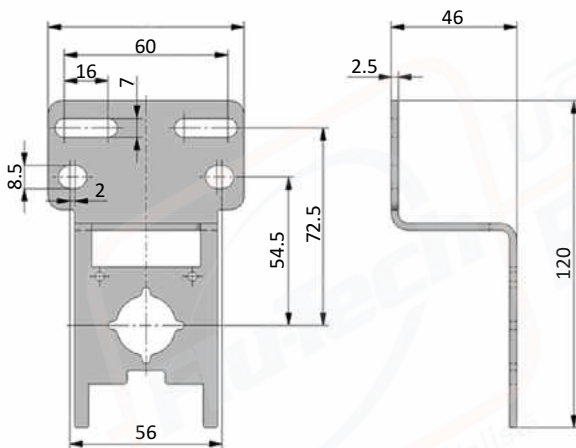
WYP-00



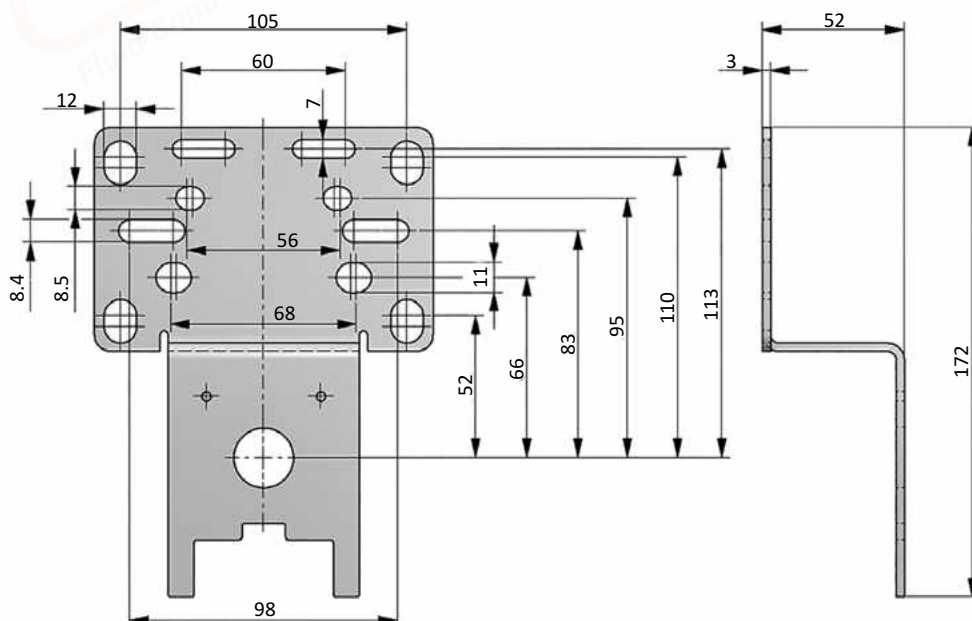
WYP-01



WYP-02



WYP-03



Coupling kits KPY-K

KPY-00-K, KPY-01-K



KPY-02-K

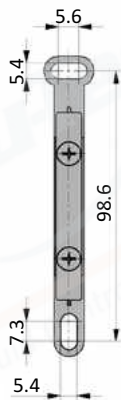


KPY-03-K

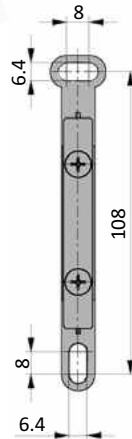


Coupling kits for wall mounting KPY-W

KPY-00-W, KPY-01-W



KPY-02-W



KPY-03-W

