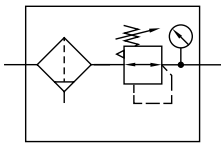


## Technical details

|                          |   |
|--------------------------|---|
| <b>Temperature range</b> | -10°C ... +50°C   |
| <b>Input range</b>       | 1.5 ... 16 bar ( size Y0 max. 12 bar )  |
| <b>Mounting</b>          | vertically, drain at bottom   |
| <b>Medium</b>            | compressed air according to ISO 8573-1:2010, neutral gases  |
| <b>Materials</b>         | Body: Grivory (PA66) and POM, bowl: PC, seals: NBR, inner parts: zinc coated steel, stainless steel and brass |

Combination of pressure regulator with diaphragm and relieving feature and sintered filter according to the centrifugal force principle.  
Locking: rotary lock and padlock possible.



## Order code

| FRY-***-**-5-***1                   |   |
|-------------------------------------|---|
| <b>Series</b>                       | <b>Versions</b>   |
| <b>Connection / Size</b>            | <b>Digit 1 Bowl</b>                                     |
| 04 * G1/4 / Y0                      | 1 PC with PA-guard                                      |
| 14 G1/4 / Y1                        | 3 metal bowl with sight glass                           |
| 37 G3/8 / Y1                        | <b>Digit 2 Drain</b>                                    |
| 38 G3/8 / Y2                        | <b>2 semi-automatic (standard)</b>                      |
| 12 G1/2 / Y2                        | 3 automatic, NO (open at 0 bar input pressure)          |
| 34 G3/4 / Y3                        | 4 automatic, NC (closed at 0 bar input pressure)        |
| 10 G1 / Y3                          | <b>Digit 3 Gauge, flow direction</b>                    |
| <b>Output range</b>                 | 0 without gauge, flow from left to right                |
| 04 0.2 ... 4 bar                    | 1 without gauge, flow from right to left                |
| 08 0.5 ... 8 bar                    | <b>2 with gauge, flow from left to right (standard)</b> |
| <b>10 0.5 ... 10 bar (standard)</b> | 3 with gauge, flow from right to left                   |
| <b>Filter element</b>               |   |
| 5 5 µm                              |   |

\* FRY-04 only with integrated gauge and flow from left to right available.

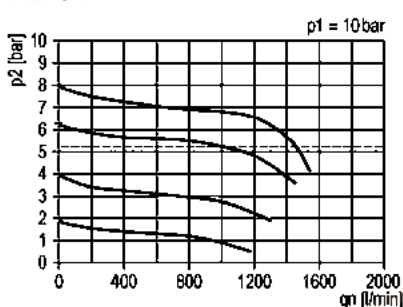
# Filter regulator FRY

## Technical data

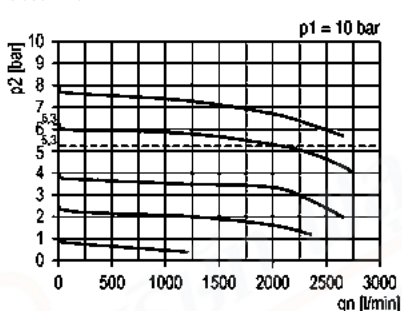
| Model-no.:                     | FRY-04-... | FRY-14-... | FRY-37-... | FRY-38-... | FRY-12-... | FRY-34-...     | FRY-10-...     |
|--------------------------------|------------|------------|------------|------------|------------|----------------|----------------|
| Connection                     | G1/4       | G1/4       | G3/8       | G3/8       | G1/2       | G3/4           | G1             |
| Size                           | Y0         | Y1         | Y1         | Y2         | Y2         | Y3             | Y3             |
| Flow (l/min)                   | 1000       | 2200       | 2600       | 4300       | 5200       | 14000          | 14000          |
| Internal air consumption       | -          | -          | -          | -          | -          | max. 1.5 l/min | max. 1.5 l/min |
| Bowl volume (cm <sup>3</sup> ) | 16         | 28         | 28         | 49         | 49         | 87             | 87             |
| Weight (kg)                    | 0.23       | 0.36       | 0.36       | 0.85       | 0.85       | 0.99           | 0.99           |

## Flow characteristic

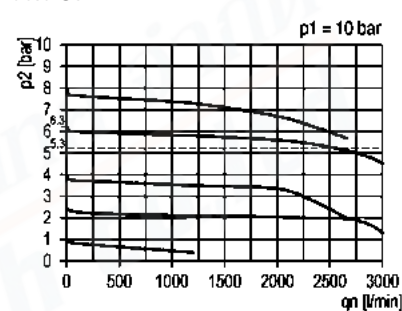
FRY-04



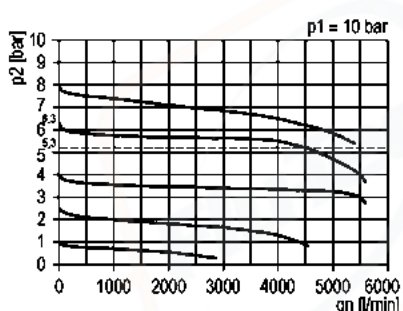
FRY-14



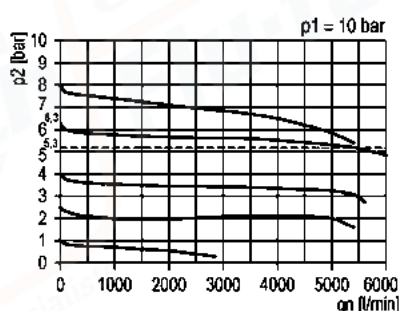
FRY-37



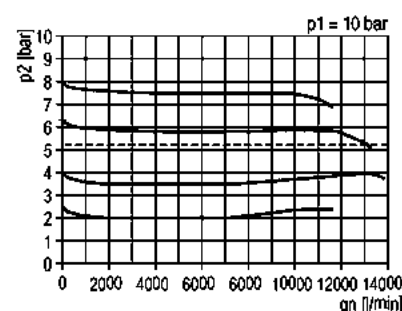
FRY-38



FRY-12



FRY-34, FRY-10



## Accessories

Mounting brackets WYL



Mounting brackets WYP



Coupling kits for wall mounting KPY-W



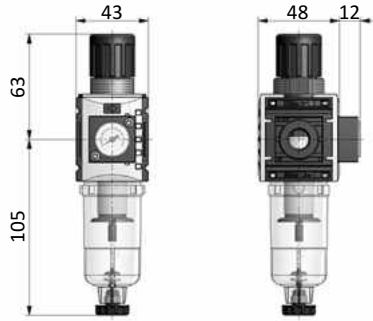
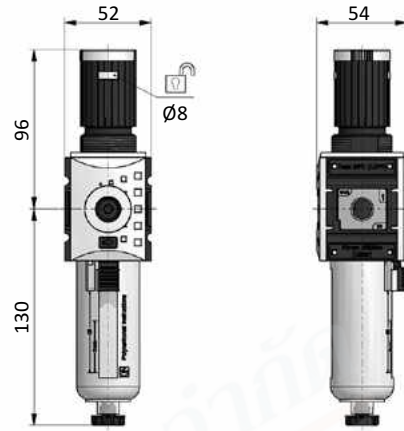
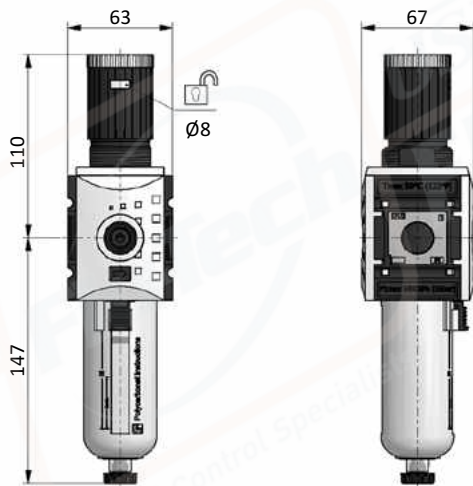
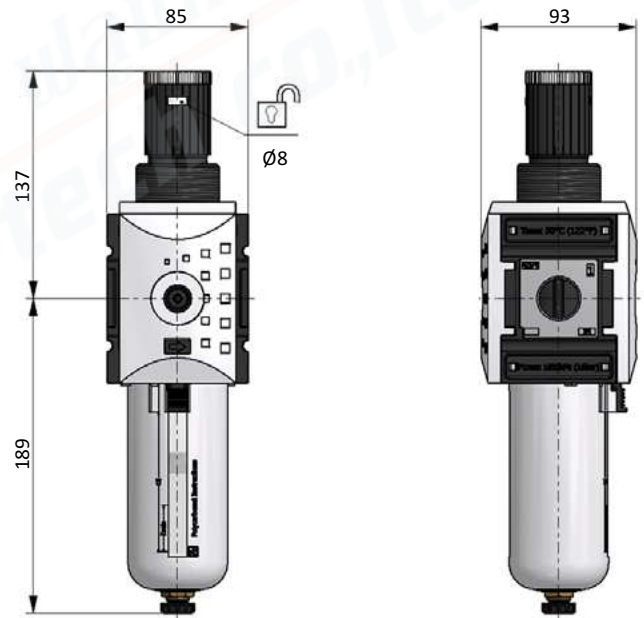
Coupling kits KPY-K



Mounting nut RMY



Details: see page 04

**Dimensions**
**Size Y0**

**Size Y1**

**Size Y2**

**Size Y3**


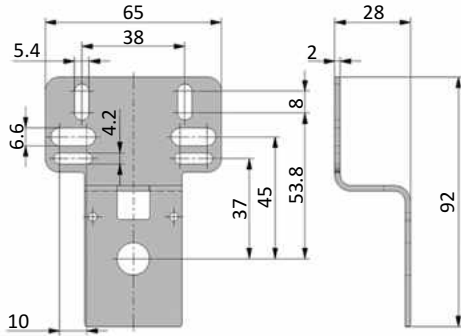
# Fastening elements

## Bracket kit WYP

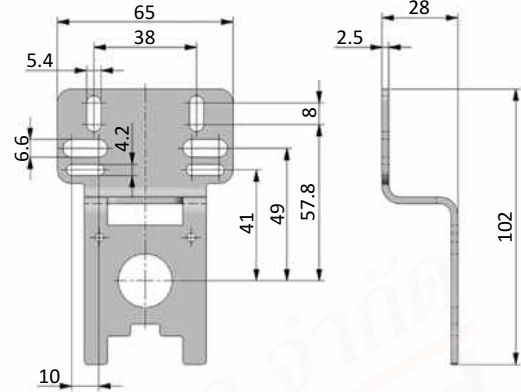
Bracket kit made of zinc coated steel.

The bracket can be mounted at the rear side after removing the rear cover of the unit. The 2 mounting screws are included.

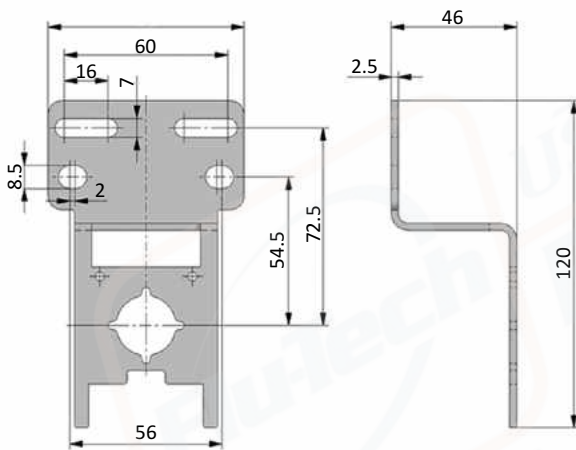
### WYP-00



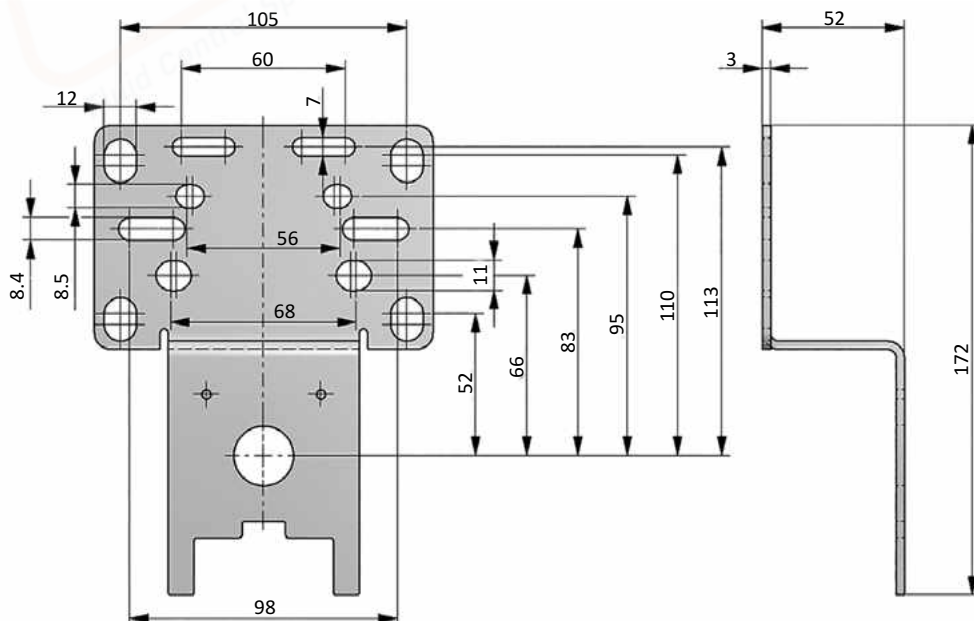
### WYP-01



### WYP-02

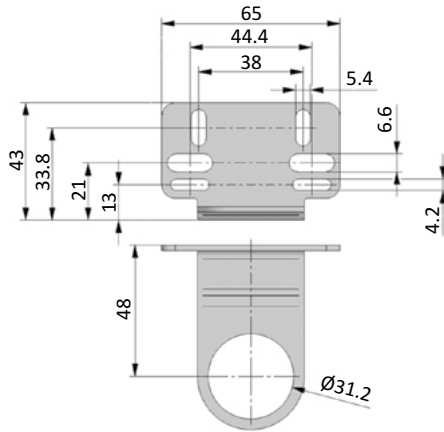
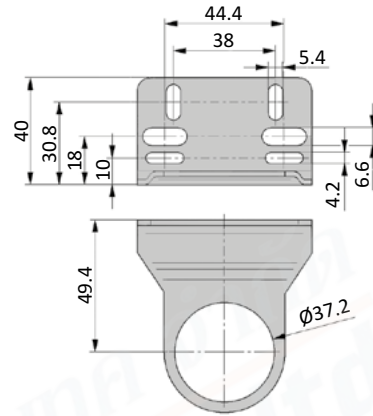
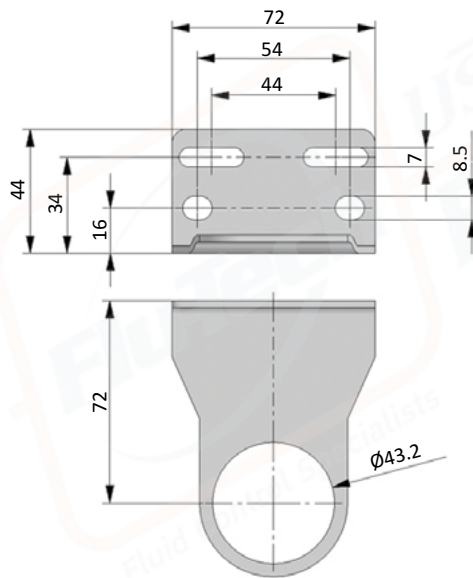


### WYP-03

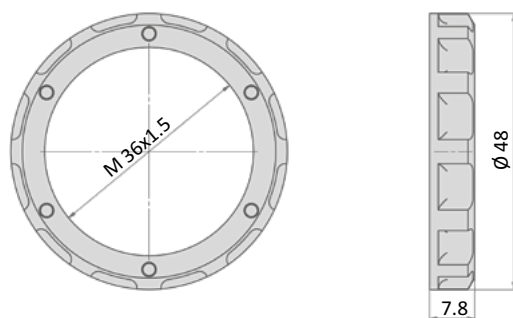
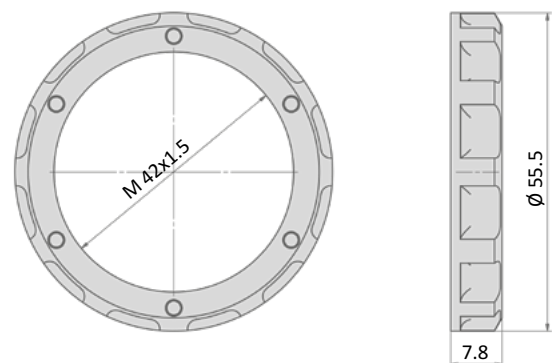


**Mounting brackets WYL**

Mounting brackets made of zinc coated steel. Assembling with mounting nut (not included).

**WYL-00**

**WYL-01**

**WYL-02**

**Mounting nut RMY**

Mounting nut made of plastic.

**RMY-01**

**RMY-02**


# Coupling kits

## Coupling kits KPY-K

KPY-00-K, KPY-01-K



KPY-02-K

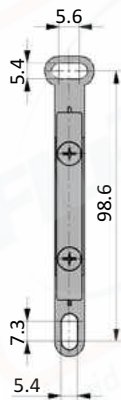


KPY-03-K

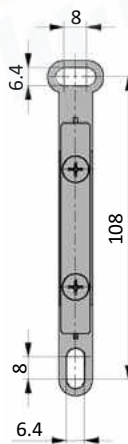


## Coupling kits for wall mounting KPY-W

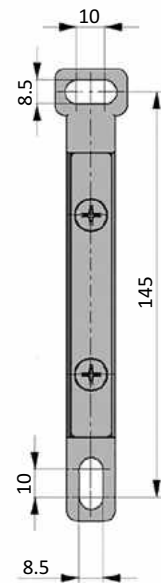
KPY-00-W, KPY-01-W



KPY-02-W



KPY-03-W



## Technical details

|                          |   |
|--------------------------|---|
| <b>Temperature range</b> | -20°C ... +60°C   |
| <b>Accuracy class</b>    | 2.5 according to EN 837-1   |
| <b>Application</b>       | Constant load: 3/4 x scale value<br>Alternating load: 2/3 x scale value                                     |
| <b>Materials</b>         | Body: steel or ABS, black<br>Window: clear<br>Dial: white with stop pin<br>Scale black (bar) and blue (psi) |
| <b>Temperature drift</b> | ± 0.4% / 10 K if deviation from normal temperature (+ 20°C)   |



Bourdon tube pressure gauge (EN 837-1), pressure connection rear.



## Order code

| Series         |              | Connection |     |
|----------------|--------------|------------|-----|
| MXA-**-***-*** |              | 18         | 1/8 |
| Diameter       |              | 14         | 1/4 |
| 40             | 40 mm        |            |     |
| 50             | 50 mm        |            |     |
| 63             | 63 mm        |            |     |
| Range          |              |            |     |
| 06             | 0 ... 6 bar  |            |     |
| 10             | 0 ... 10 bar |            |     |
| 16             | 0 ... 16 bar |            |     |

## Technical data

| Model-no.:                 | MXA-50-06-14 |              | MXA-50-10-14 |              | MXA-50-16-14   |              |
|----------------------------|--------------|--------------|--------------|--------------|----------------|--------------|
| <b>Connection</b>          | G1/4         |              | R1/4         |              | R1/4           |              |
| <b>Standard for series</b> | -            |              | -            |              | X1. X2. Y1. Y2 |              |
| <b>Range</b>               | 0 ... 6 bar  |              | 0 ... 10 bar |              | 0 ... 16 bar   |              |
| <b>Weight (kg)</b>         | 0.071        |              | 0.071        |              | 0.071          |              |
| Model-no.:                 | MXA-40-06-18 | MXA-40-10-18 | MXA-40-16-18 | MXA-63-06-14 | MXA-63-10-14   | MXA-63-16-14 |
| <b>Connection</b>          | G1/8         | R1/8         | R1/8         | G1/4         | G1/4           | G1/4         |
| <b>Standard for series</b> | -            | -            | K. RD        | -            | -              | Y3           |
| <b>Range</b>               | 0 ... 6 bar  | 0 ... 10 bar | 0 ... 16 bar | 0 ... 6 bar  | 0 ... 10 bar   | 0 ... 16 bar |
| <b>Weight (kg)</b>         | 0.071        | 0.071        | 0.071        | 0.080        | 0.080          | 0.080        |