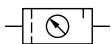


Two piece air service unit FROX

Technical details

Temperature range	-10°C ... +60°C
Input range	1.5 ... 16 bar
Mounting	vertically, drain at bottom
Medium	compressed air according to ISO 8573-1:2010, neutral gases
Materials	Body: zinc diecasting, bowl: PC, seals: NBR, inner parts: zinc coated steel, stainless steel and brass

Combination of filter, regulator and lubricator.
Locking: rotary lock possible.



Order code

FROX-***-5-****	
Series	Versions
Connection / Size	Digit 1 Bowl
14 G1/4 / X1	1 PC
37 G3/8 / X1	3 metal bowl with sight glass
12 G1/2 / X2	4 PC with guard
34 G3/4 / X2	Digit 2 Drain
Output range	2 semi-automatic (standard)
03 0.2 ... 3 bar	3 automatic, NO (open at 0 bar input pressure)
06 0.5 ... 6 bar	4 automatic, NC (closed at 0 bar input pressure)
10 0.5 ... 10 bar (standard)	Digit 3 Gauge, flow direction
Filter element	0 without gauge, flow from left to right
5 5 µm	1 without gauge, flow from right to left
	2 with gauge, flow from left to right (standard)
	3 with gauge, flow from right to left
	Digit 4
	1 standard
	2 key lockable

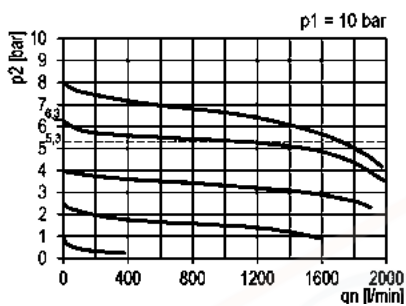
Two piece air service unit FROX

Technical data

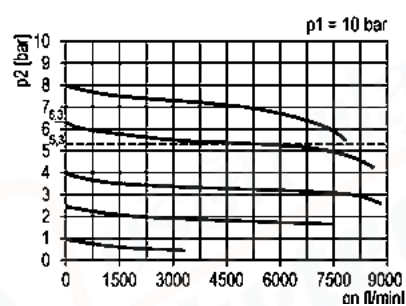
Model-no.:	FROX-14-...	FROX-37-...	FROX-12-...	FROX-34-...
Connection	G1/4	G3/8	G1/2	G3/4
Size	X1	X1	X2	X2
Flow (NI/min)	1200	1200	5250	5250
Lubricator operating limit (NI/min)	75	75	170	170
Bowl volume (cm ³)	25	25	50	50
Bowl volume lubricator (cm ³)	50	50	125	125
Weight (kg)	0.69	0.67	1.68	1.60

Flow characteristic

FROX-14, FROX-37



FROX-12, FROX-34



Accessories

Mounting brackets WK



Mounting brackets WX



Coupling kits KPX



Mounting nut RM

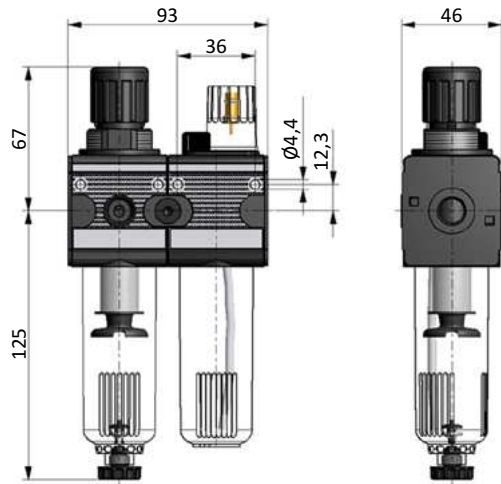


Details: see page 04

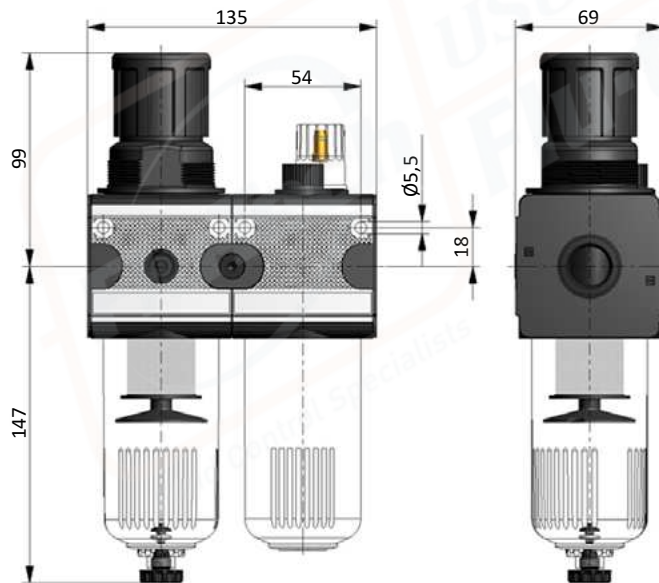
Two piece air service unit FROX

Dimensions

Size X1



Size X2

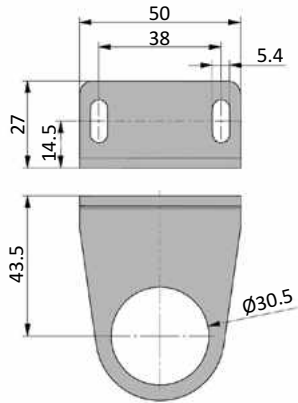


Fastening elements

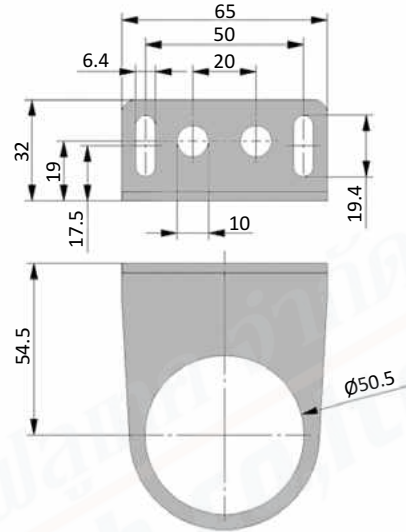
Mounting brackets WK

Mounting brackets made of zinc coated steel. Assembling with mounting nut (not included).

WK-30



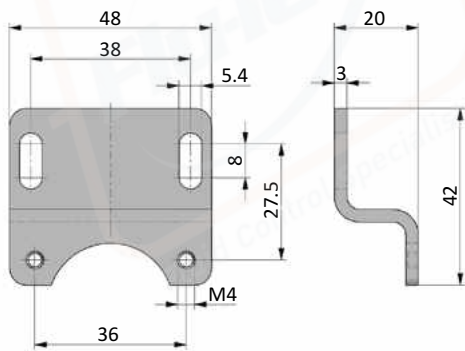
WK-50



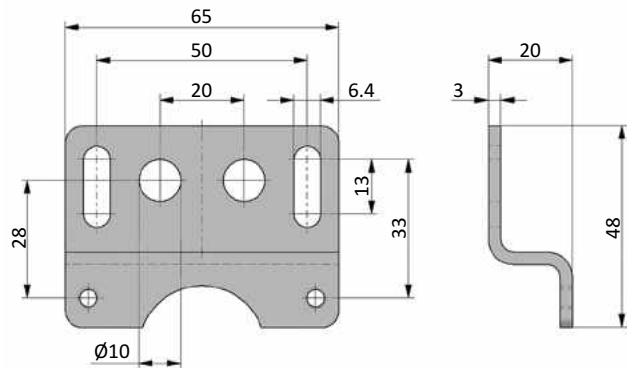
Mounting brackets WX

Mounting brackets made of zinc coated steel.

WX-11



WX-33

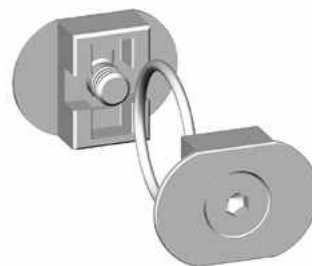


Coupling kits KPX

KPX-11



KPX-33



Technical details

Temperature range	-20°C ... +60°C
Accuracy class	2.5 according to EN 837-1
Application	Constant load: 3/4 x scale value Alternating load: 2/3 x scale value
Materials	Body: steel or ABS, black Window: clear Dial: white with stop pin Scale black (bar) and blue (psi)
Temperature drift	± 0.4% / 10 K if deviation from normal temperature (+ 20°C)



Bourdon tube pressure gauge (EN 837-1), pressure connection rear.


Order code

Series		Connection	
40 40 mm		18	1/8
50 50 mm		14	1/4
63 63 mm			
Range			
06 0 ... 6 bar			
10 0 ... 10 bar			
16 0 ... 16 bar			

MXA--***-*****

Technical data

Model-no.:	MXA-50-06-14		MXA-50-10-14		MXA-50-16-14	
Connection	G1/4		R1/4		R1/4	
Standard for series	-		-		X1. X2. Y1. Y2	
Range	0 ... 6 bar		0 ... 10 bar		0 ... 16 bar	
Weight (kg)	0.071		0.071		0.071	
Model-no.:	MXA-40-06-18	MXA-40-10-18	MXA-40-16-18	MXA-63-06-14	MXA-63-10-14	MXA-63-16-14
Connection	G1/8	R1/8	R1/8	G1/4	G1/4	G1/4
Standard for series	-	-	K. RD	-	-	Y3
Range	0 ... 6 bar	0 ... 10 bar	0 ... 16 bar	0 ... 6 bar	0 ... 10 bar	0 ... 16 bar
Weight (kg)	0.071	0.071	0.071	0.080	0.080	0.080