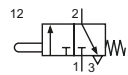


**Technical details**

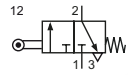
|                          |   |
|--------------------------|---|
| <b>Connection</b>        | M5  |
| <b>Nominal size</b>      | 2 mm  |
| <b>Temperature range</b> | -10°C ... +70°C   |
| <b>Medium</b>            | Filtered, oil-free and dried compressed air according to ISO 8573-1:2010, Class 7:2:4, instrument air, free of aggressive additives. Differing the pressure dew point must be at least 10°C below lowest occurring ambient temperature. |
| <b>Materials</b>         | Body: Al (anodized), seals: NBR, inner parts: stainless steel and brass, stem: stainless steel (E), plastic (ER, EL), roller: stainless steel (ER), plastic (EL), lever: brass  |



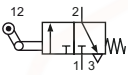
Mechanically operated seat valve.

**3/2-way-Valves**


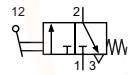
**E-25-310**  
3/2-way, mechanical spring return, stem operated



**ER-25-310**  
3/2-way, mechanical spring return, roller operated



**EL-25-310**  
3/2-way, mechanical spring return, roller operated with free return



**EH-25-310**  
3/2-way, mechanical spring return, hand lever operated

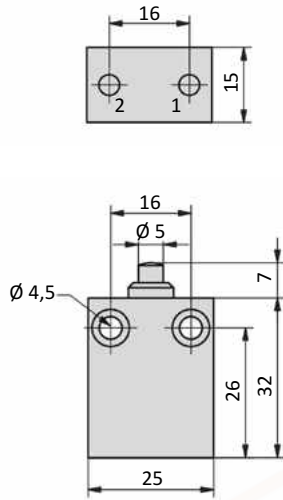
**Technical data**

| Model-no.:                          | E-25-310 | ER-25-310 | EL-25-310 | EH-25-310 |
|-------------------------------------|----------|-----------|-----------|-----------|
| <b>Operating pressure (bar)</b>     | 0 ... 12 | 0 ... 12  | 0 ... 12  | 0 ... 12  |
| <b>Flow rate (NI/min)</b>           | 80       | 80        | 80        | 80        |
| <b>Actuating force at 6 bar (N)</b> | 15       | 8         | 8         | 4,5       |
| <b>Pre-stroke (mm)</b>              | 1,25     | 1,5       | 1,5       | 1,5       |
| <b>Actuation stroke (mm)</b>        | 1,25     | 1,5       | 1,5       | 1,5       |
| <b>Pre actuation stroke (mm)</b>    | 1,5      | 1,2       | 1,2       | 1,2       |
| <b>Weight (kg)</b>                  | 0,035    | 0,046     | 0,044     | 0,036     |

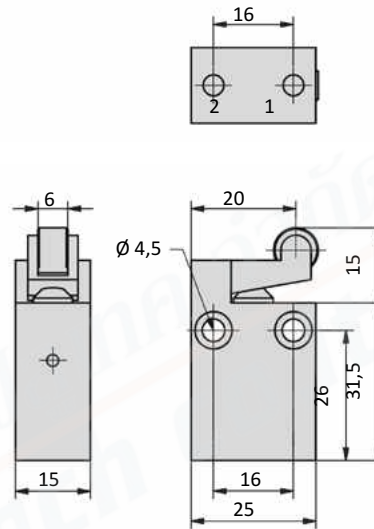
## Series E-25

### Dimensions

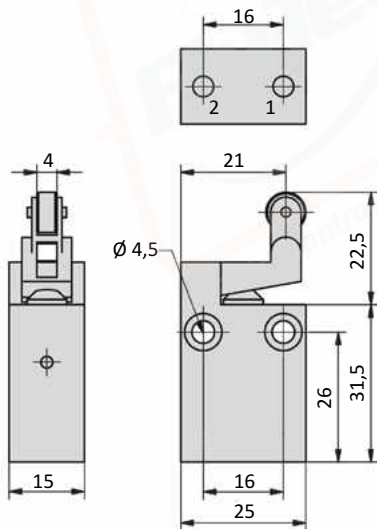
E-25-310



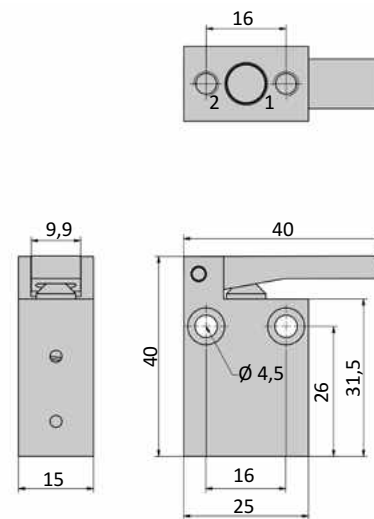
ER-25-310



EL-25-310



EH-25-310



1 = pressure inlet  
2 = outlet