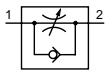


**Technical details**

|                          |   |
|--------------------------|---|
| <b>Temperature range</b> | -10°C ... +70°C   |
| <b>Medium</b>            | Filtered, oil-free and dried compressed air according to ISO 8573-1:2010, Class 7:2:4, instrument air, free of aggressive additives. Alternatively the pressure dew point must be at least 10°C below lowest occurring ambient temperature. |
| <b>Materials</b>         | Body: Al (anodized), seals: NBR   |



This valve is used for the speed control of a pneumatic cylinder. The flow rate can be regulated by turning the adjusting screw.

**DR-valves**


DR-xx  
flow control valve

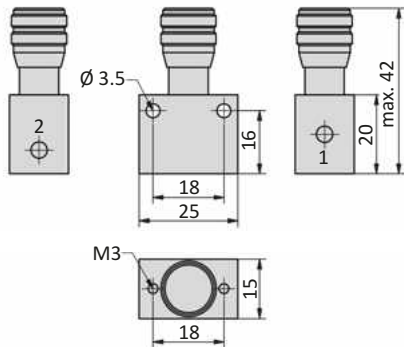
**Technical data**

| Model-no.:                      | DR-25       | DR-18      | DR-14      | DR-10      |
|---------------------------------|-------------|------------|------------|------------|
| <b>Connection</b>               | M5          | G1/8       | G1/4       | G1/2       |
| <b>Nominal size 1-2 (mm)</b>    | 0.5 ... 1.5 | 0.5 ... 2  | 1 ... 5    | 1 ... 7    |
| <b>Nominal size 2-1 (mm)</b>    | 2.5         | 4.5        | 7.5        | 11         |
| <b>Flow rate 1-2 (Nl/min)</b>   | 5 ... 40    | 5 ... 90   | 50 ... 600 | 50 ... 600 |
| <b>Flow rate 2-1 (Nl/min)</b>   | 120         | 480        | 1300       | 1400       |
| <b>Operating pressure (bar)</b> | 0.5 ... 10  | 0.5 ... 10 | 0.5 ... 10 | 2 ... 10   |
| <b>Weight (kg)</b>              | 0.034       | 0.040      | 0.098      | 0.215      |

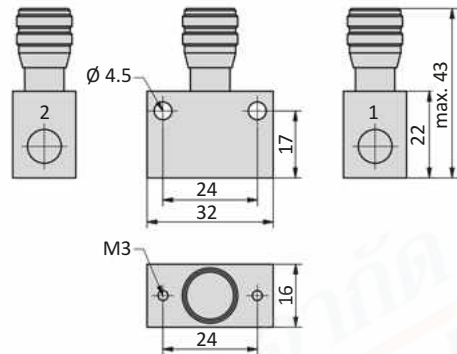
## Series DR

### Dimensions

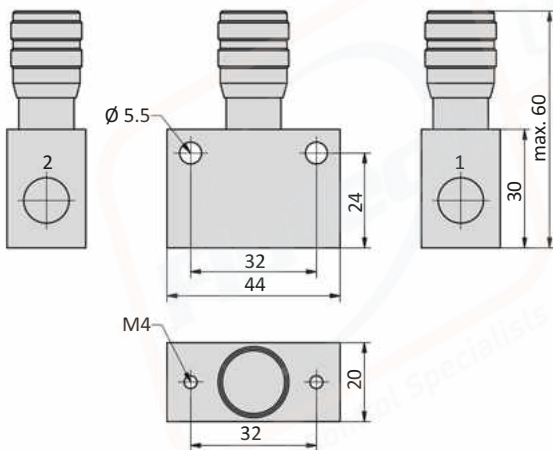
#### DR-25



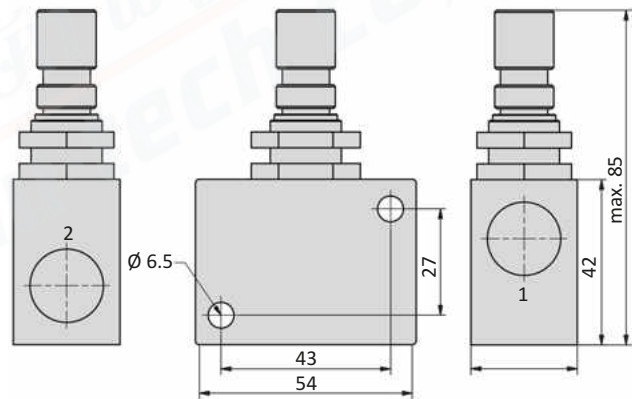
#### DR-18



#### DR-14



#### DR-10



- 1 = inlet
- 2 = outlet