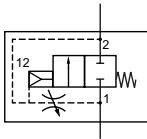


**Technical details**

<b>Temperature range</b>	-10°C ... +60°C
<b>Input range</b>	2.5 ... 16 bar
<b>Mounting</b>	arbitrary
<b>Medium</b>	compressed air according to ISO 8573-1:2010, neutral gases
<b>Materials</b>	Body: zinc diecasting, seals: NBR, inner parts: plastic, stainless steel and brass



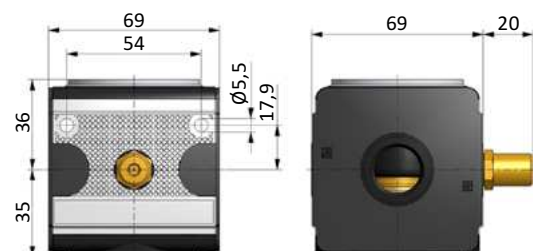
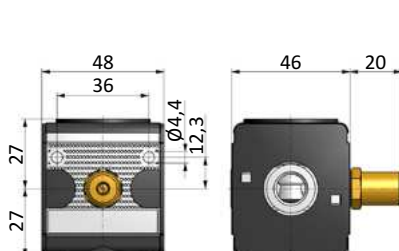
Poppet valve, operated by secondary pressure  
The filling time is adjustable.


**Order code**

		<b>DAX-**-00-0-0001</b>
Series		←
Connection / Size		←
14	G1/4 / X1	
12	G1/2 / X2	

**Technical data**

Model-no.:	DAX-14-...	DAX-12-...
<b>Connection</b>	G1/4	G1/2
<b>Size</b>	X1	X2
<b>Flow</b>	1000	4000
<b>Weight (kg)</b>	0.33	0.72

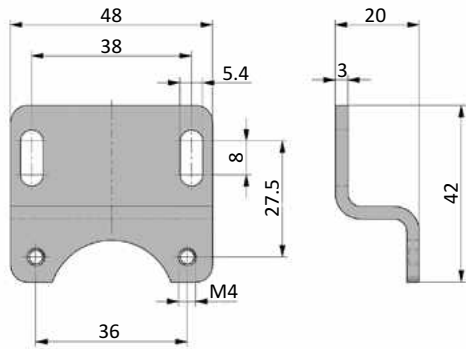
**Dimensions**
**Size X1**
**Size X2**


## Fastening elements

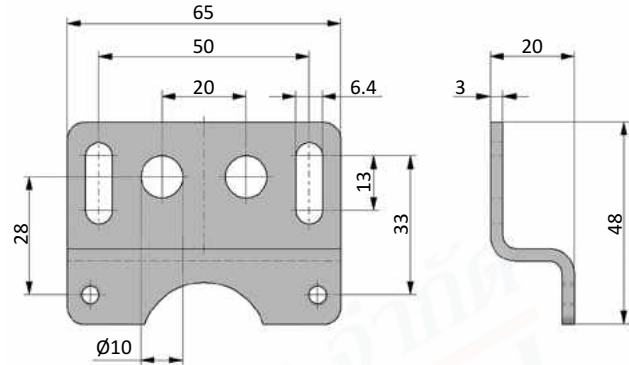
### Mounting brackets WX

Mounting brackets made of zinc coated steel.

#### WX-11



#### WX-33



### Coupling kits KPX

#### KPX-11



#### KPX-33

