

## Technical details

<b>Operating pressure</b>	1 ... 10 bar
<b>Temperature range</b>	-30°C ... +80°C ( 0 ... +150°C for high temperature version)
<b>Medium</b>	Filtered, oil-free and dried compressed air according to ISO 8573-1:2010, Class 7:2:4, instrument air, free of aggressive additives. Alternatively the pressure dew point must be at least 10°C below lowest occurring ambient temperature.
<b>Materials</b>	Cylinder tube: AISI 304 (1.4301) End caps: AISI 304 (1.4301) Piston rod: AISI 316 (1.4401) Seals: PU (optional FKM)
	Cylinders in accordance with 2014/34/EU (ATEX) available. (Chapter 13)



Double acting pneumatic cylinder with magnetic piston and built-in cushioning rings. Der Zylinder ist in den Durchmessern 32 und 40 auch mit einstellbarer, pneumatischer Endlagendämpfung lieferbar.

## Versions

	<b>CM</b> double acting, with magnetic piston		<b>CMDE</b> double acting, double end piston rod, with magnetic piston
	<b>CMP</b> double acting, adjustable cushioning, with magnetic piston		<b>CMPDE</b> double acting, double end piston rod, adjustable cushioning, with magnetic piston
	<b>CDH</b> double acting, high temperature version		
	<b>CDHP</b> double acting, adjustable cushioning, high temperature version		

## Order code

<b>C****-**-****-****</b>																	
<table border="1"> <tr><td>Series</td></tr> <tr><td>CM      standard</td></tr> <tr><td>CMP*</td></tr> <tr><td>CMDE</td></tr> <tr><td>CMPDE*</td></tr> <tr><td>CDH</td></tr> <tr><td>CDPH*</td></tr> </table>	Series	CM      standard	CMP*	CMDE	CMPDE*	CDH	CDPH*	<table border="1"> <tr><td>Options</td></tr> <tr><td>ATEX      cylinders in accordance with 2014/34/EU (ATEX)</td></tr> <tr><td>Stroke (mm)</td></tr> <tr><td>XXX      max. stroke 900 mm</td></tr> <tr><td>Piston-Ø</td></tr> <tr><td>32      32mm</td></tr> <tr><td>40      40 mm</td></tr> <tr><td>50      50 mm</td></tr> <tr><td>63      63 mm</td></tr> </table>	Options	ATEX      cylinders in accordance with 2014/34/EU (ATEX)	Stroke (mm)	XXX      max. stroke 900 mm	Piston-Ø	32      32mm	40      40 mm	50      50 mm	63      63 mm
Series																	
CM      standard																	
CMP*																	
CMDE																	
CMPDE*																	
CDH																	
CDPH*																	
Options																	
ATEX      cylinders in accordance with 2014/34/EU (ATEX)																	
Stroke (mm)																	
XXX      max. stroke 900 mm																	
Piston-Ø																	
32      32mm																	
40      40 mm																	
50      50 mm																	
63      63 mm																	
* only for Ø 32 mm and Ø 40 mm																	

## Series CM

### Mini cylinders, double acting

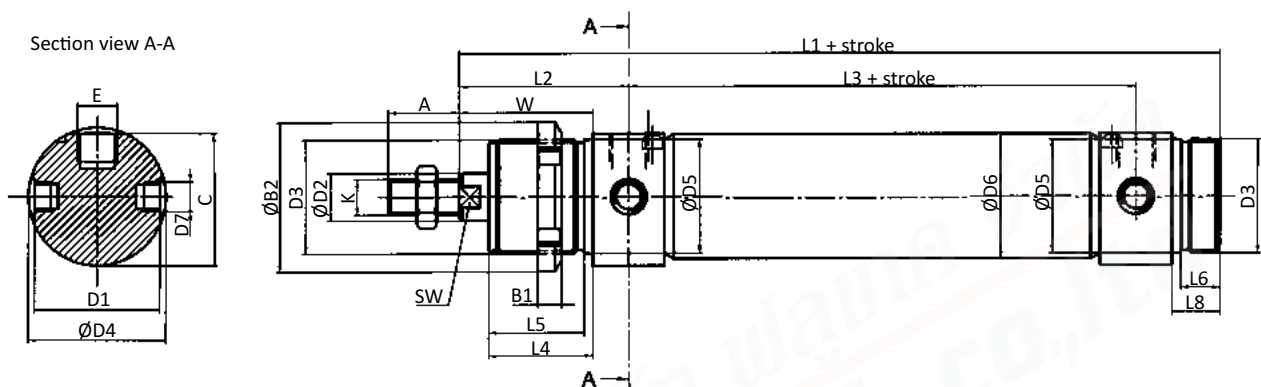


#### Technical details

Model-no.:	Cxx-32-...	Cxx-40-...	Cxx-50-...	Cxx-63-...
Piston $\varnothing$ (mm)	32	40	50	63
Force at 6 bar (N)	Extension	434	678	1060
	Retraction	373	570	890
Connection	G1/8	G1/4	G1/4	G3/8
Piston rod thread	M10	M12	M16	M16
Cushioning length (mm)*	22,5	24,5	-	-

\* only for series CMP, CMPDE, CDHP

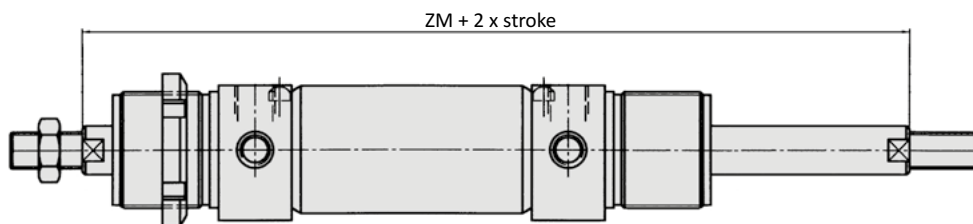
#### Dimensions series CM, CMP, CDH, CDHP



Piston- $\varnothing$	A	B1	B2	C	D1	D2	D3	D4	D5	D6	D7
32	20	7	45	36,5	35	12	M30 x 1,5	38	30	33,6	M8 x 1
40	24	8	50	44	42	16	M38 x 1,5	46	38	41,6	M10 x 1
50	32	9	58	55	53	20	M45 x 1,5	57	45	52,4	M12 x 1,5
63	32	9	58	67,5	66	20	M45 x 1,5	70	45	65,4	M14 x 1,5

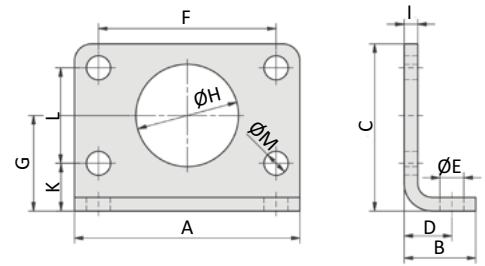
Piston- $\varnothing$	E	K	L1	L2	L3	L4	L5	L6	L8	SW	W
32	G1/8	M10	148	47	78	30	27	12	14	10	38
40	G1/4	M12	174	57	89	35	32	13	16	13	45
50	G1/4	M16	188	62	96	38	35	15	18	17	50
63	G3/8	M16	192	63	98	38	35	15	18	17	50

#### Additional dimensions Series CMDE, CMPDE



Piston- $\varnothing$	32	40	50	63
ZM	172	203	220	224

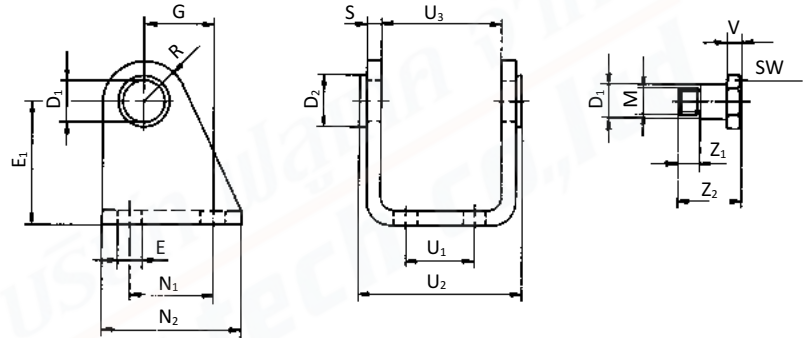
**PA-xx Foot mount**



Model-no.:	A	B	C	D	Ø E	F	G	Ø H	I	K	L	Ø M
PA-32	66	21	49	14	7	52	28	30	4	14	28	7
PA-40	80	30	58	20	9	60	33	38	5	18	30	9
PA-50	90	30	70	20	9	70	40	45	6	20	40	9
PA-63	96	30	80	20	9	76	45	45	6	20	50	9

Material: stainless steel AISI 304 (1.4301)

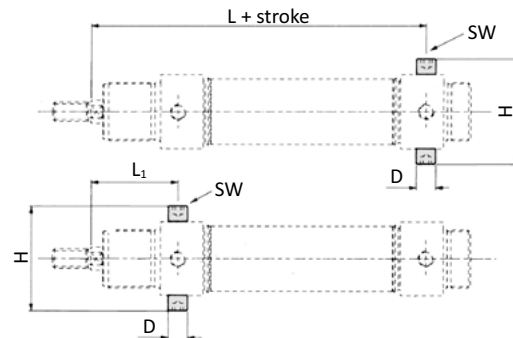
**PC-xx Clevis mount**



Model-no.:	D <sub>1</sub>	D <sub>2</sub>	E	E <sub>1</sub>	G	M	N <sub>1</sub>	N <sub>2</sub>	R	S	U <sub>1</sub>	U <sub>2</sub>	U <sub>3</sub>	V	Z <sub>1</sub>	Z <sub>2</sub>	SW
PC-32	10	15	7	35	20	M8 x 1	24	40	12	4	20	50,1	38,1	4	6	18	13
PC-40	12	20	9	40	27	M10 x 1	30	50	13	5	28	60,1	46,1	5	7	21,6	17
PC-50	14	23	9	45	30	M12 x 1,5	34	54	14	6	36	74,1	57,1	6	9	26,4	19
PC-63	16	23	9	50	34	M14 x 1,5	35	65	16	6	42	88,1	70,1	6	16	35	19

Material: stainless steel AISI 304 (1.4301), 2 screws are included.

**PG-xx Threaded bolts**

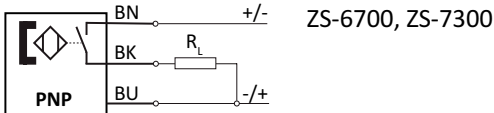
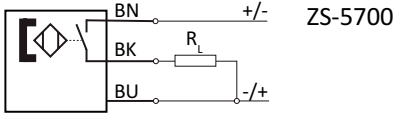
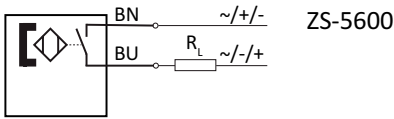


Model-no.:	D	H	L	L <sub>1</sub>	SW
PG-32	10	51	125	47	5
PG-40	12	61	146	57	6
PG-50	14	75	158	62	6
PG-63	16	90	162	64	8

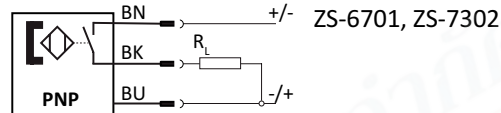
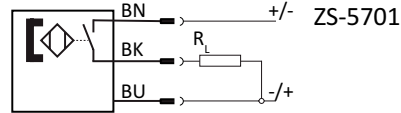
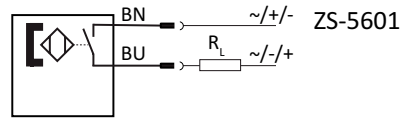
Material: stainless steel AISI 304 (1.4301)

## Series ZS Proximity sensors

### Proximity sensors with cable



### Proximity sensors with plug



### Technical data

Model-no.:	ZS-5600	ZS-5601	ZS-5700	ZS-5701
<b>Design</b>	2-pole Reed sensor	2-pole Reed sensor	3-pole Reed sensor	3-pole Reed sensor
<b>Contact function</b>	NO	NO	NO	NO
<b>Rated operational voltage</b>	5 ... 240 V AC / DC	5 ... 60 V AC / DC	5 ... 30 V DC	5 ... 30 V DC
<b>Rated operational current I<sub>e</sub></b>	3 ... 100 mA	3 ... 100 mA	≤ 500 mA	≤ 500 mA
<b>Max. voltage drop at I<sub>e</sub></b>	≤ 2.5	≤ 2.5	≤ 0.1	≤ 0.1
<b>Breaking capacity</b>	10 W	10 W	10 W	10 W
<b>Cable length</b>	3 m	0.3 m with M8 connection	5 m	0.3 m with M8 connection
<b>Temperature range</b>	-10 ... +70°C	-10 ... +70°C	-10 ... +70°C	-10 ... +70°C
<b>Protection</b>	IP 67	IP 67	IP 67	IP 67
<b>Switching status indication</b>	LED red	LED red	LED yellow	LED yellow

Model-no.:	ZS-6700	ZS-6701	ZS-7300	ZS-7302
<b>Design</b>	3-pole inductive	3-pole inductive	3-pole inductive	3-pole inductive
<b>Contact function</b>	NO	NO	NO	NO
<b>Output</b>	PNP	PNP	PNP	PNP
<b>Rated operational voltage</b>	5 ... 30 V DC	5 ... 30 V DC	10 ... 30 V DC	10 ... 30 V DC
<b>Rated operational current I<sub>e</sub></b>	≤ 200 mA	≤ 200 mA	≤ 100 mA	≤ 100 mA
<b>Max. voltage drop at I<sub>e</sub></b>	≤ 1.0	≤ 1.0	≤ 2.5	≤ 2.5
<b>Breaking capacity</b>	6 W	6 W	3 W	3 W
<b>Cable length</b>	3 m	0.3 m with M8 connection	6 m	0.3 m with M12 connection
<b>Temperature range</b>	-10 ... +70°C	-10 ... +70°C	-20 ... +60°C	-20 ... +60°C
<b>Protection</b>	IP 67	IP 67	IP 67	IP 67
<b>Switching status indication</b>	LED green	LED green	LED yellow	LED yellow
	-	-	II 3G Ex nA T4 II 3D Ex tD A22 IP67 T 125°C	II 3D Ex tc IIIC T125°C Dc X


**Cable with socket for proximity sensors**

<b>Model-no.:</b>	KA-30	KA-50	KA-51	KA-100	KA-101
<b>Connection</b>	M8, snap-in	M8, snap-in	M8, snap-in	M8, snap-in	M8, snap-in
<b>Version</b>	straight	straight	elbow 90°	straight	elbow 90°
<b>Cable length</b>	3 m	5 m	5 m	10 m	10 m

**Mounting**

For this cylinder series separate mounting brackets are necessary for the sensor mounting.

**Mounting brackets for proximity sensors**

<b>Model-no.:</b>	NT-550
<b>Design</b>	 <p>sensor mounting</p>