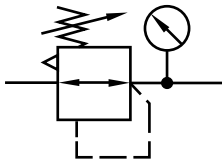


Pressure regulator 90-RC

Technical details

Temperature range	-10°C ... +60°C
Input range	max. 16 bar
Mounting	arbitrary
Medium	compressed air according to ISO 8573-1:2010, neutral gases
Materials	Body: zinc diecasting, bowl: PC, seals: NBR, inner parts: zinc coated steel, stainless steel and brass

Pressure regulator with diaphragm and relieving feature. Mounting brackets are included.

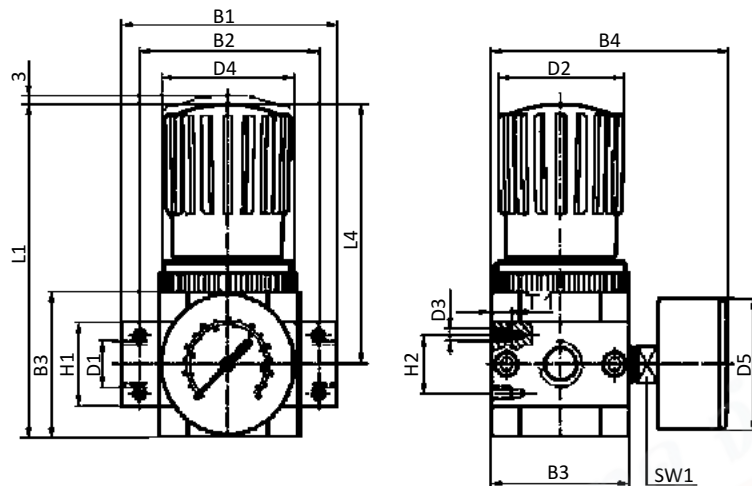


Order code

Series		90-RC-***-***-*		Versions	
Connection / Size				Gauge, flow direction	
18	G1/8 / 01			0	without gauge, flow from left to right
14	G1/4 / 01			1	without gauge, flow from right to left
37	G3/8 / 01			2	with gauge, flow from left to right (standard)
38	G3/8 / 02			3	with gauge, flow from right to left
12	G1/2 / 02				
33	G3/4 / 02				
34	G3/4 / 03				
10	G1 / 03				
Output range					
07	0,5 ... 7 bar				
12	0,5 ... 12 bar				

Pressure regulator 90-RC

Dimensions



90-RC-**	B1	B2	B3	B4	D1	ØD2	D3	D4
18	104	92	40	76	G1/8	31	M4	M36 x 1,5
14	104	92	40	76	G1/4	31	M4	M36 x 1,5
37	110	92	40	76	G3/8	31	M4	M36 x 1,5
38	140	125	55	95	G3/8	50	M5	M52 x 1,5
12	140	125	55	95	G1/2	50	M5	M52 x 1,5
33	140	125	55	95	G3/4	50	M5	M52 x 1,5
34	162	146	66	107	G3/4	52	M5	M52 x 1,5
10	182	157	66	107	G1	52	M5	M52 x 1,5

90-RC-**	ØD5	H1	H2	L1	L4	T1	SW1
18	41	20	11	193	69	7	14
14	41	20	11	193	69	7	14
37	41	29	11	193	69	7	14
38	50	32	22	250	99	8	14
12	50	32	22	250	99	8	14
33	50	32	22	250	99	8	14
34	50	32	22	252	102	8	14
10	50	32	22	252	102	8	14