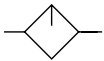


Technical details

Temperature range	-10°C ... +60°C
Input range	1 ... 16 bar
Mounting	vertically
Medium	compressed air according to ISO 8573-1:2010, neutral gases
Materials	Body: zinc diecasting, bowl: PC, seals: NBR, inner parts: zinc coated steel, stainless steel and brass

Proportional lubricator

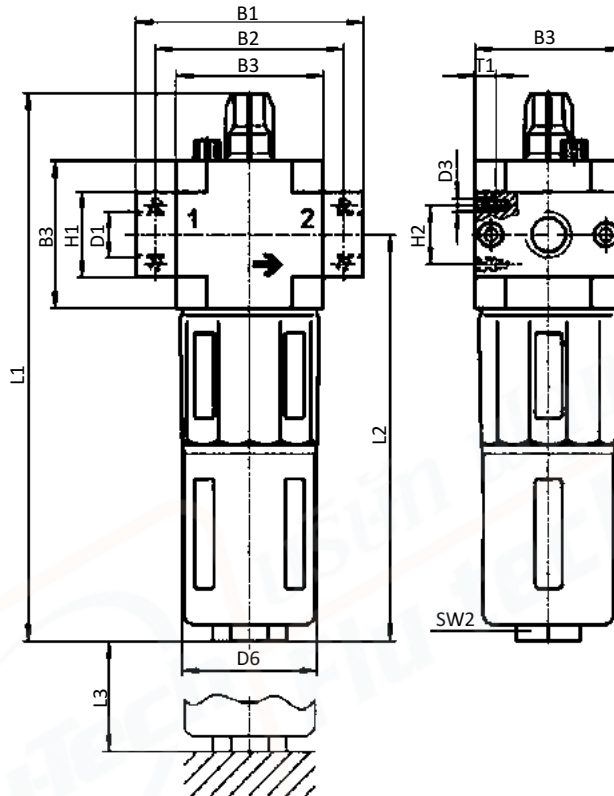


Order code

Series	90-OC-**
Connection / Size	
18	G1/8 / 01
14	G1/4 / 01
37	G3/8 / 01
38	G3/8 / 02
12	G1/2 / 02
33	G3/4 / 02
34	G3/4 / 03
10	G1 / 03

Lubricator 90-OC

Dimensions



90-OC-**	B1	B2	B3	D1	D3	ØD6
18	64	52	40	G1/8	M4	38
14	64	52	40	G1/4	M4	38
37	70	52	40	G3/8	M4	38
38	85	70	55	G3/8	M5	52
12	85	70	55	G1/2	M5	52
33	85	70	55	G3/4	M5	52
34	96	80	66	G3/4	M5	65
10	116	91	66	G1	M5	65

90-OC-**	H1	H2	L1	L2	L3	T1	SW2
18	20	11	169	124	100	7	22
14	20	11	169	124	100	7	22
37	20	11	169	124	100	7	22
38	32	22	204	151	120	8	24
12	32	22	204	151	120	8	24
33	32	22	204	151	120	8	24
34	32	22	228	170	158	8	24
10	40	22	228	170	150	8	24