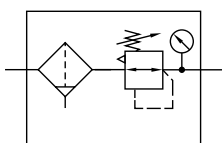


# Filter regulator 90-FRC

## Technical details

<b>Temperature range</b>	-10°C ... +60°C
<b>Input range</b>	1,5 ... 16 bar (2...12 bar bei automatischem Kondensatablass)
<b>Mounting</b>	vertically, drain at bottom
<b>Medium</b>	compressed air according to ISO 8573-1:2010, neutral gases
<b>Materials</b>	Body: zinc diecasting, bowl: PC, seals: NBR, inner parts: zinc coated steel, stainless steel and brass

Combination of pressure regulator with diaphragm and relieving feature and sintered filter according to the centrifugal force principle. Mounting brackets are included.

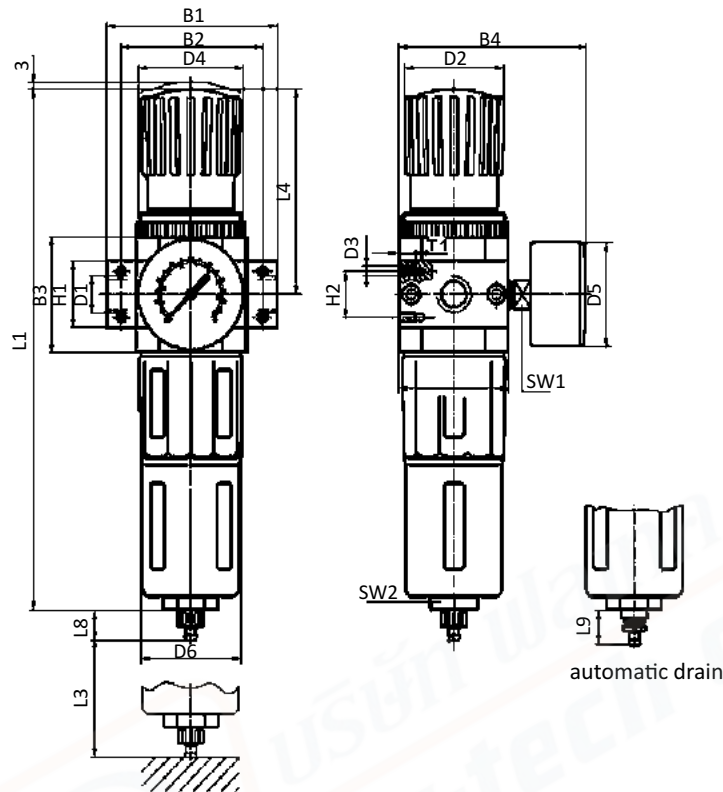


## Order code

90-FRC-***-***-***		Series	Versions
18	G1/8 / 01	18	Digit 1 Drain
14	G1/4 / 01	14	2 semi-automatic (standard)
37	G3/8 / 01	37	4 automatic, NC (closed at 0 bar input pressure)
38	G3/8 / 02	38	Digit 2 Gauge, flow direction
12	G1/2 / 02	12	0 without gauge
33	G3/4 / 02	33	2 with gauge, flow from left to right (standard)
34	G3/4 / 03	34	3 with gauge, flow from right to left
10	G1 / 03	10	Filter element
07	0,5 ... 7 bar	07	05 5 µm
12	0,5 ... 12 bar	12	40 40 µm

## Filter regulator 90-FRC

## Dimensions



90-FRC-**	B1	B2	B3	B4	D1	ØD2	D3	D4	ØD5	ØD6
18	104	92	40	76	G1/8	31	M4	M36 x 1,5	41	38
14	104	92	40	76	G1/4	31	M4	M36 x 1,5	41	38
37	110	92	40	76	G3/8	31	M4	M36 x 1,5	41	38
38	140	125	55	95	G3/8	50	M5	M52 x 1,5	50	52
12	140	125	55	95	G1/2	50	M5	M52 x 1,5	50	52
33	140	125	55	95	G3/4	50	M5	M52 x 1,5	50	52
34	162	146	66	107	G3/4	52	M5	M52 x 1,5	50	65
10	182	157	66	107	G1	52	M5	M52 x 1,5	50	65

90-FRC-**	H1	H2	L1	L3	L4	L8	L9	T1	SW1	SW2
18	20	11	193	60	69	15	19	7	14	22
14	20	11	193	60	69	15	19	7	14	22
37	29	11	193	60	69	15	19	7	14	22
38	32	22	250	80	99	15	19	8	14	24
12	32	22	250	80	99	15	19	8	14	24
33	32	22	250	80	99	15	19	8	14	24
34	32	22	252	90	102	15	19	8	14	24
10	32	22	252	90	102	15	19	8	14	24