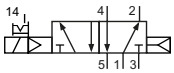


**Technical details**

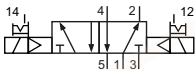
<b>Connection</b>	G1/8
<b>Temperature range</b>	0°C ... +50°C
<b>Medium</b>	Filtered, oil-free and dried compressed air according to ISO 8573-1:2010, Class 7:2:4, instrument air, free of aggressive additives. Alternatively the pressure dew point must be at least 10°C below lowest occurring ambient temperature.
<b>Materials</b>	Body: Al (anodized), plastic, seals: NBR, inner parts: Al, steel and plastic
<b>Protection</b>	IP 50 according to EN 60529



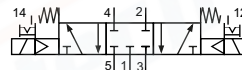
Electrically operated spool valve. The manual override is detent/ non-detent and is operated by screwdriver.

**5/2-way valves**


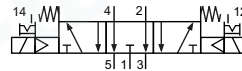
86-MVY-18-510-xxx  
5/2-way, single solenoid, air spring return



86-MVY-18-520-xxx  
5/2-way, double solenoid

**5/3-way valves**


86-MVY-18-530-xxx  
5/3-way, center position closed



86-MVY-18-533-xxx  
5/3-way, center position exhausted

Please complete: xxx = electrical option

**Electrical options**

Nominal voltage	Power consumption	Specifics	Plug connection*1	-xxx Manual override on same side of ports 2 and 4
24 V DC	1.3 W	with integrated LED	Form L	-442

\*1 Plug socket not included

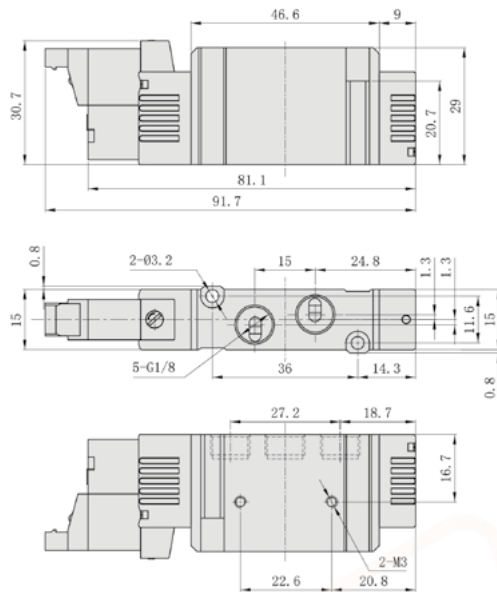
**Technical data**

Model-no.:	86-MVY-18-510	86-MVY-18-520	86-MVY-18-530	86-MVY-18-533
<b>Operating pressure (bar)</b>	1.5...7	1...7	1.5...7	1.5...7
<b>Nominal size (mm)</b>	3.2	3.2	3	3
<b>Flow rate (NI/min)</b>	490	490	420	420
<b>Response time (ms) at 6 bar</b>	20	20	20	20
<b>Weight (kg)</b>	0.062	0.076	0.082	0.082

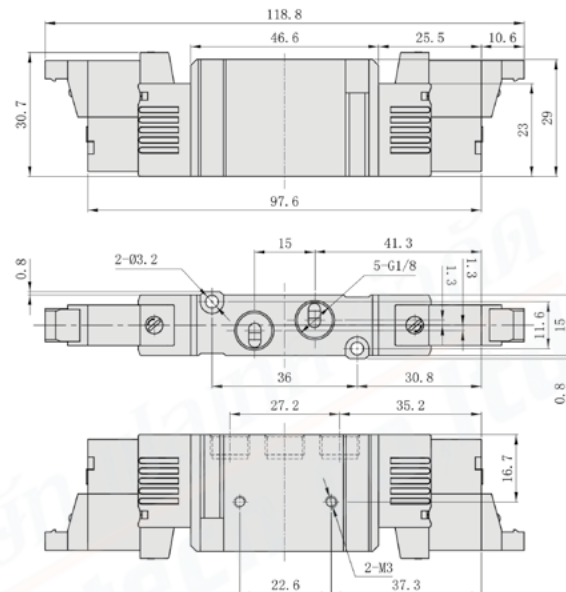
# Series 86-MVY-18

## Dimensions

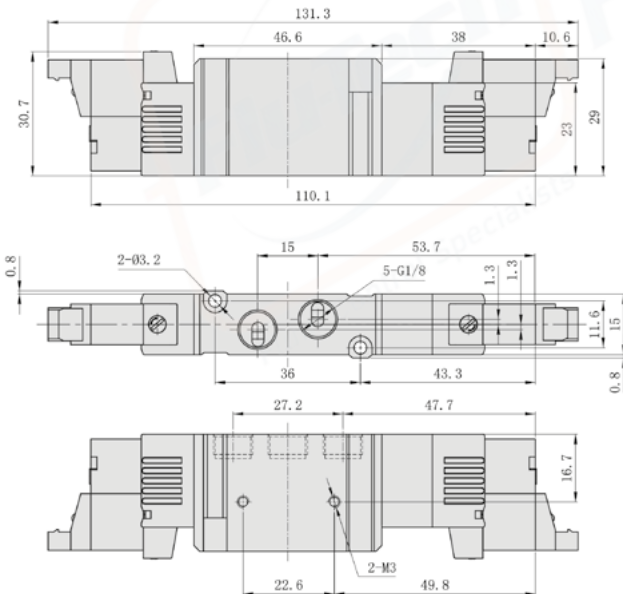
### 86-MVY-18-510



### 86-MVY-18-520



### 86-MVY-18-53x

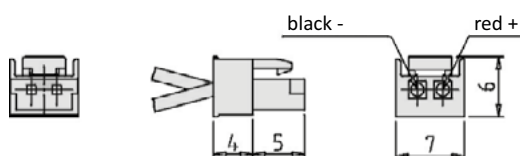


- 1 = pressure inlet
- 2,4 = outlets
- 3,5 = exhausts

## Accessories

### Plug sockets with cable

Model-no.:	86-ST-L-300	86-ST-L-600
cable length (mm)	300	600



## General information

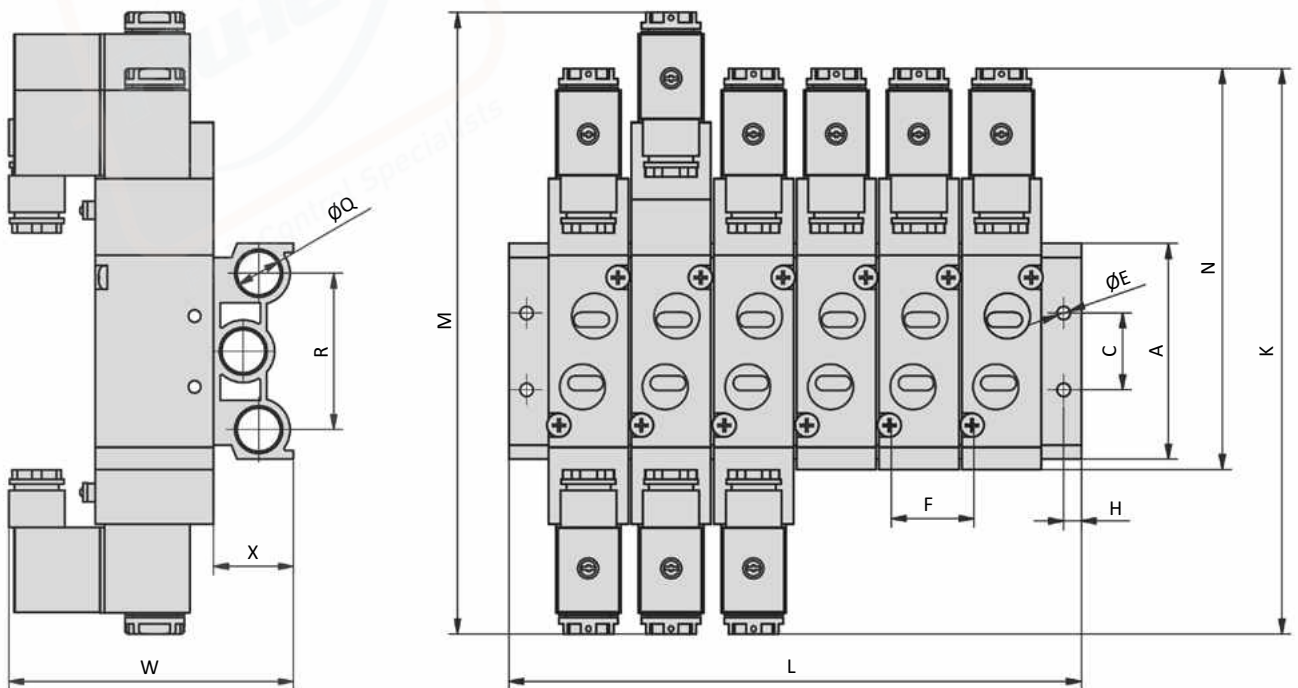
The 86-PRS manifolds are suitable for the 86-MV-5 valve series.  
Blind plates 86-PRS-xxx-V are available for blank stations.  
All mounting screws and o-rings are included.



## Order code

Series		Number of stations	
86-PRS-***-***		02...20	
Size		Size	Standard
MVY	for series 86-MVY-18	MVY	04, 06, 08, 10, 12
100	for series 86-MV-5-18	100	02, 04, 06, 08, 10, 12, 14, 16
200	for series 86-MV-5-28, 86-MV-5-14	200	02, 04, 05, 06, 08, 10, 12, 14, 16
300	for series 86-MV-5-24, 86-MV-5-38	300	02, 04, 06
400	for series 86-MV-5-12	400	02, 04

## Dimensions



Model-no.:	A	C	Ø E	F	H	K	L	M	N	Q	R	W	X
86-PRS-MVY-xx	60	20	4.2	16	5	119	(xx-1)*16 + 34	132	92	G1/4	41	57	26.5
86-PRS-100-xx	58	20	4.2	19	5	140	(xx-1)*19 + 38	155	98	G1/4	40	77	22
86-PRS-200-xx	59	21	4.3	23	6	170	(xx-1)*23 + 46	189	116	G1/4	43	90	22
86-PRS-300-xx	75	26	4.5	28	6	189	(xx-1)*28 + 54	208	134	G3/8	53	98	27
86-PRS-400-xx	98	32	5.5	35	7	222	(xx-1)*35 + 63	243	168	G1/2	68	112	36

xx = number of stations