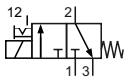


**Technical details**

<b>Connection</b>	G1/8
<b>Temperature range</b>	-10°C ... +60°C
<b>Medium</b>	Filtered, oil-free and dried compressed air according to ISO 8573-1:2010, Class 7:2:4, instrument air, free of aggressive additives. Alternatively the pressure dew point must be at least 10°C below lowest occurring ambient temperature.
<b>Materials</b>	Body: Al (painted), seals: NBR, inner parts: Al, steel and plastic
<b>Protection</b>	IP 65 according to EN 60529



Electrically operated poppet valve. The manual override is detent and is operated by screw driver.

**3/2-way valves**


86-MS-3V-yy-xxx  
 3/2-Wege, single solenoid, mechanical spring return, NC

Please complete: xxx = electrical option  
 yy = number of stations (01 ... 20)

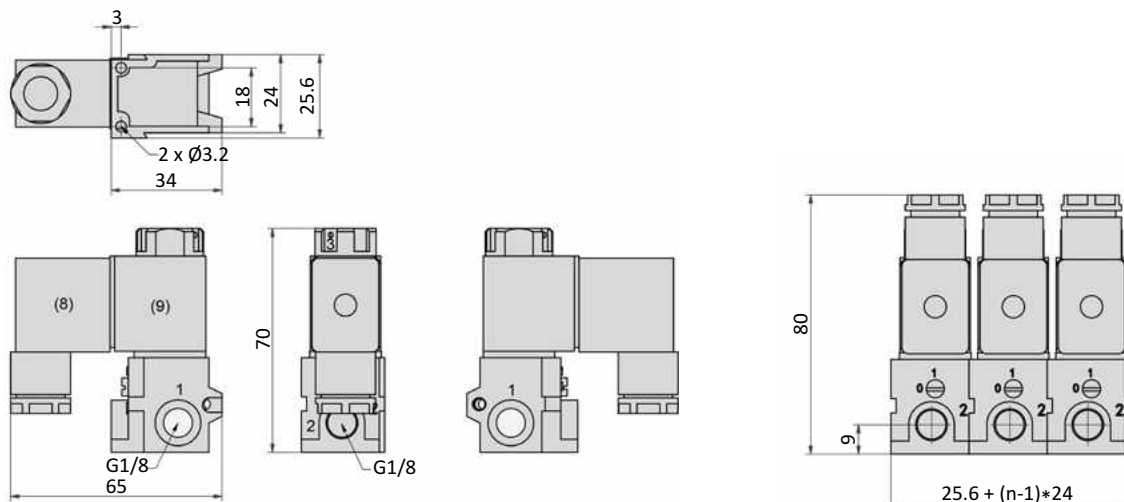
**Electrical options**

Nominal voltage	Power consumption	Specifics	Plug connection* <sup>1</sup>	-XXX Manual override on same side of port 2
24 V DC	4.8 W		Form B industrial norm	-M42
220 V AC	5.5 VA		Form B industrial norm	-M57

\*<sup>1</sup> Plug socket with integrated LED are part of delivery

**Technical data**

<b>Model-no.:</b>	86-MS-3V-yy
<b>Operating pressure (bar)</b>	0...8
<b>Nominal size (mm)</b>	1
<b>Flow rate (NI/min)</b>	50
<b>Response time (ms) at 6 bar</b>	20
<b>Weight (kg)</b>	0.176 * yy, (yy = number of stations (01 ... 20))

**Dimensions**


## Plug sockets

### Form B industrial norm

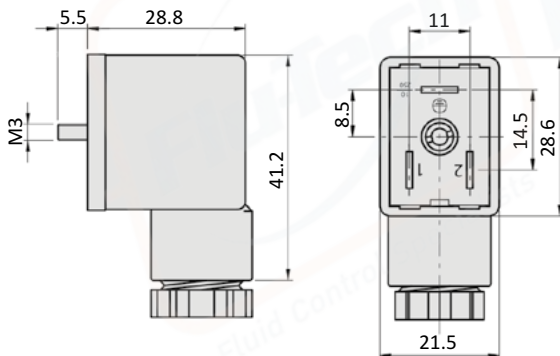
Overall width	22 mm
Contact distance	11 mm
Contacts	2P + E
Protection	IP 65 according to EN 60529 requires a flat gasket
For use with series	86-MV-5-28, 86-MV-5-14, 86-MV-5-24, 86-MV-5-38, 86-MV-5-12, 86-MV-3, 86-MN-4, 86-MS-3V



Model-no.:	28-ST-01	86-ST-04-112	28-ST-04-127
Voltage (AC/DC)	0 - 250 V	24 V DC	220 V AC
Status indicator	no	yes	yes
Protective circuit	no	no	no
Connecting cable	without	without	without
Wire cross section	max. 1.5 mm <sup>2</sup>	max. 1.5 mm <sup>2</sup>	max. 1.5 mm <sup>2</sup>
Ø Connecting cable	6 - 8 mm	6 - 8 mm	6 - 8 mm

### Dimensions

#### Form B industrial norm



### Form B industrial norm

Overall width	22 mm
Contact distance	11 mm
Contacts	2P + E
Protection	IP 65 according to EN 60529 with connected plug socket
Duty cycle	100 %
Temperature range*	-20°C...+50°C
Voltage tolerance	± 10 %
For use with series	86-MV-5-28, 86-MV-5-14, 86-MV-5-24, 86-MV-5-38, 86-MV-5-12, 86-MV-3, 86-MN-4

\* The max. applicable operating temperature depends on the temperature specification of the used valve.

