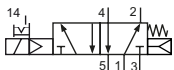


**Technical details**

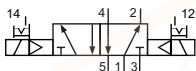
|                          |   |
|--------------------------|---|
| <b>Connection</b>        | G1/8, flange  |
| <b>Temperature range</b> | +5°C ... +50°C  |
| <b>Medium</b>            | Filtered, oil-free and dried compressed air according to ISO 8573-1:2010, Class 7:2:4, instrument air, free of aggressive additives. Alternatively the pressure dew point must be at least 10°C below lowest occurring ambient temperature. |
| <b>Materials</b>         | Body: Al (anodized), plastic, seals: NBR, inner parts: Al, steel and plastic  |
| <b>Protection</b>        | IP 65 according to EN 60529   |



Electrically operated spool valve. The manual override is detent/ non-detent. It is operated manually or by screwdriver.

**5/2-way valves**


86-MN-4-18-510-xxx  
5/2-way, single solenoid, mechanical spring return and air spring return



86-MN-4-18-520-xxx  
5/2-way, double solenoid

Please complete: xxx = electrical option

**Electrical options**

| Nominal voltage | Power consumption | Specifics | Plug connection* <sup>1</sup> | -XXX<br>Manual override on same side of ports<br>2 and 4 |
|-----------------|-------------------|-----------|-------------------------------|--|
| 24 V DC         | 3 W               |           | Form B industrial norm        | -M42   |
| 220 V AC        | 3.5 VA            |           | Form B industrial norm        | -M57   |

\*<sup>1</sup> Plug socket with integrated LED are part of delivery

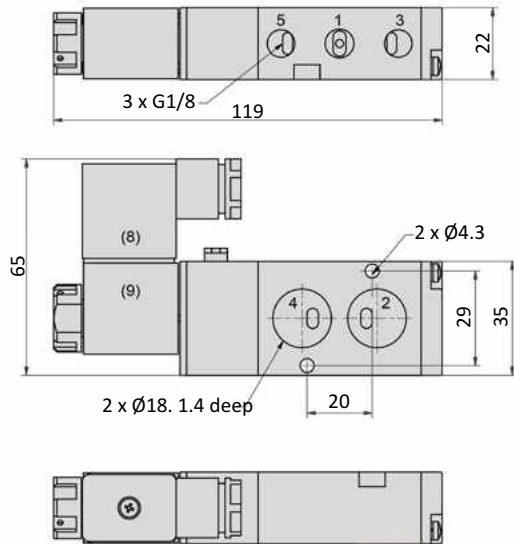
**Technical data**

| Model-no.:                         | 86-MN-4-18-510 | 86-MN-4-18-520 |
|------------------------------------|----------------|----------------|
| <b>Operating pressure (bar)</b>    | 1.5...8        | 1.5...8        |
| <b>Nominal size (mm)</b>           | 4              | 4              |
| <b>Flow rate (l/min)</b>           | 750            | 750            |
| <b>Response time (ms) at 6 bar</b> | 20             | 20             |
| <b>Weight (kg)</b>                 | 0.220          | 0.334          |

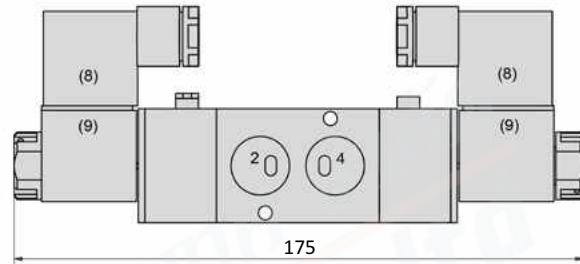
## Series 86-MN-4-18

### Dimensions

#### 86-MN-4-18-510



#### 86-MN-4-18-520



- 1 = pressure inlet
- 2.4 = outlets
- 3.5 = exhausts

Plug socket can be repositioned by 180°.  
Solenoid coil can be repositioned by 4 x 90°.

## Form B industrial norm

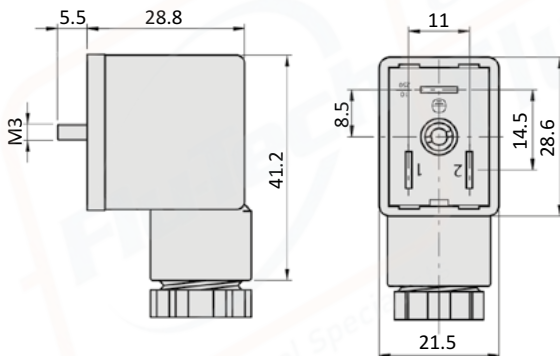
|                            |  |
|----------------------------|--|
| <b>Overall width</b>       | 22 mm  |
| <b>Contact distance</b>    | 11 mm  |
| <b>Contacts</b>            | 2P + E   |
| <b>Protection</b>          | IP 65 according to EN 60529 requires a flat gasket                                     |
| <b>For use with series</b> | 86-MV-5-28, 86-MV-5-14, 86-MV-5-24, 86-MV-5-38, 86-MV-5-12, 86-MV-3, 86-MN-4, 86-MS-3V |



| Model-no.:                | 28-ST-01                 | 86-ST-04-112             | 28-ST-04-127             |
|---------------------------|--------------------------|--------------------------|--------------------------|
| <b>Voltage (AC/DC)</b>    | 0 - 250 V                | 24 V DC                  | 220 V AC                 |
| <b>Status indicator</b>   | no                       | yes                      | yes                      |
| <b>Protective circuit</b> | no                       | no                       | no                       |
| <b>Connecting cable</b>   | without                  | without                  | without                  |
| <b>Wire cross section</b> | max. 1.5 mm <sup>2</sup> | max. 1.5 mm <sup>2</sup> | max. 1.5 mm <sup>2</sup> |
| <b>Ø Connecting cable</b> | 6 - 8 mm                 | 6 - 8 mm                 | 6 - 8 mm                 |

## Dimensions

### Form B industrial norm



## Solenoid coils

### Form B industrial norm

|                     |  |
|---------------------|--|
| Overall width       | 22 mm  |
| Contact distance    | 11 mm  |
| Contacts            | 2P + E   |
| Protection          | IP 65 according to EN 60529 with connected plug socket                       |
| Duty cycle          | 100 %  |
| Temperature range*  | -20°C...+50°C  |
| Voltage tolerance   | ± 10 %   |
| For use with series | 86-MV-5-28, 86-MV-5-14, 86-MV-5-24, 86-MV-5-38, 86-MV-5-12, 86-MV-3, 86-MN-4 |

\* The max. applicable operating temperature depends on the temperature specification of the used valve.



|                      |               |               |
|----------------------|---------------|---------------|
| Model-no.:           | 86-SP-011-412 | 86-SP-011-427 |
| Voltage              | 24 V DC       | 220 V AC      |
| Power consumption DC | 3 W           | -             |
| Power consumption AC | -             | 3.5 VA        |