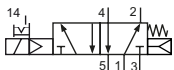


**Technical details**

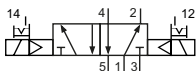
<b>Connection</b>	G1/2, flange
<b>Temperature range</b>	+5°C ... +50°C
<b>Medium</b>	Filtered, oil-free and dried compressed air according to ISO 8573-1:2010, Class 7:2:4, instrument air, free of aggressive additives. Alternatively the pressure dew point must be at least 10°C below lowest occurring ambient temperature.
<b>Materials</b>	Body: Al (anodized), plastic, seals: NBR, inner parts: Al, steel and plastic
<b>Protection</b>	IP 65 according to EN 60529



Electrically operated spool valve. The manual override is detent/ non-detent. It is operated manually or by screwdriver.

**5/2-way valves**


86-MN-4-12-510-xxx  
5/2-way, single solenoid, mechanical spring return and air spring return



86-MN-4-12-520-xxx  
5/2-way, double solenoid

Please complete: xxx = electrical option

**Electrical options**

Nominal voltage	Power consumption	Specifics	Plug connection* <sup>1</sup>	-XXX Manual override on same side of ports 2 and 4
24 V DC	3 W		Form B industrial norm	-M42
220 V AC	3.5 VA		Form B industrial norm	-M57

\*<sup>1</sup> Plug socket with integrated LED are part of delivery

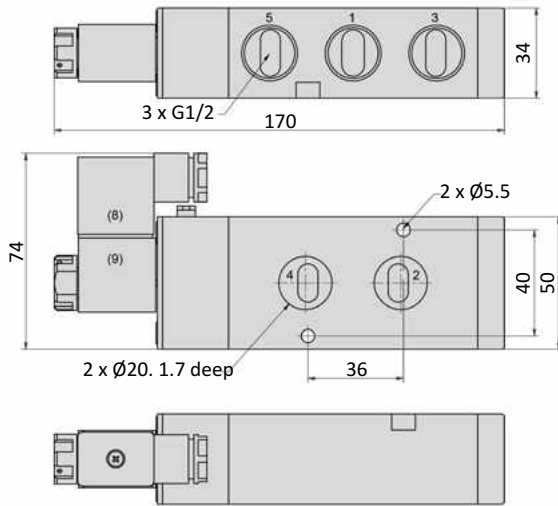
**Technical data**

Model-no.:	86-MN-4-12-510	86-MN-4-12-520
<b>Operating pressure (bar)</b>	1.5...8	1.5...8
<b>Nominal size (mm)</b>	8	8
<b>Flow rate (NI/min)</b>	2500	2500
<b>Response time (ms) at 6 bar</b>	20	20
<b>Weight (kg)</b>	0.537	0.658

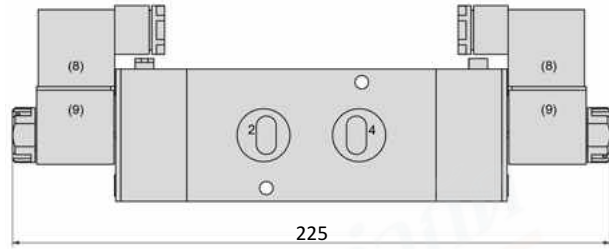
## Series 86-MN-4-12

### Dimensions

#### 86-MN-4-12-510



#### 86-MN-4-12-520



- 1 = pressure inlet
- 2,4 = outlets
- 3,5 = exhausts

Plug socket can be repositioned by 180°.  
Solenoid coil can be repositioned by 4 x 90°.

## Form B industrial norm

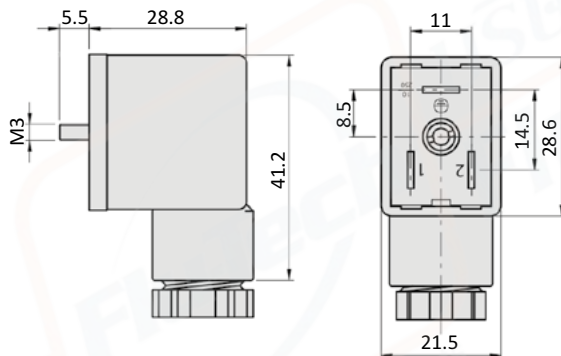
<b>Overall width</b>	22 mm
<b>Contact distance</b>	11 mm
<b>Contacts</b>	2P + E
<b>Protection</b>	IP 65 according to EN 60529 requires a flat gasket
<b>For use with series</b>	86-MV-5-28, 86-MV-5-14, 86-MV-5-24, 86-MV-5-38, 86-MV-5-12, 86-MV-3, 86-MN-4, 86-MS-3V



Model-no.:	28-ST-01	86-ST-04-112	28-ST-04-127
<b>Voltage (AC/DC)</b>	0 - 250 V	24 V DC	220 V AC
<b>Status indicator</b>	no	yes	yes
<b>Protective circuit</b>	no	no	no
<b>Connecting cable</b>	without	without	without
<b>Wire cross section</b>	max. 1.5 mm <sup>2</sup>	max. 1.5 mm <sup>2</sup>	max. 1.5 mm <sup>2</sup>
<b>Ø Connecting cable</b>	6 - 8 mm	6 - 8 mm	6 - 8 mm

## Dimensions

### Form B industrial norm



## Solenoid coils

### Form B industrial norm

Overall width	22 mm
Contact distance	11 mm
Contacts	2P + E
Protection	IP 65 according to EN 60529 with connected plug socket
Duty cycle	100 %
Temperature range*	-20°C...+50°C
Voltage tolerance	± 10 %
For use with series	86-MV-5-28, 86-MV-5-14, 86-MV-5-24, 86-MV-5-38, 86-MV-5-12, 86-MV-3, 86-MN-4

\* The max. applicable operating temperature depends on the temperature specification of the used valve.



Model-no.:	86-SP-011-412	86-SP-011-427
Voltage	24 V DC	220 V AC
Power consumption DC	3 W	-
Power consumption AC	-	3.5 VA