

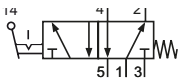
**Technical details**

<b>Temperature range</b>	0°C ... +60°C
<b>Medium</b>	Filtered, oil-free and dried compressed air according to ISO 8573-1:2010, Class 7:2:4, instrument air, free of aggressive additives. Alternatively the pressure dew point must be at least 10°C below lowest occurring ambient temperature.
<b>Materials</b>	Body: Al (anodized), seals: NBR, inner parts: Al and brass



Manually operated spool valve with toggle lever and detent function.

**5/2-way-Ventil**



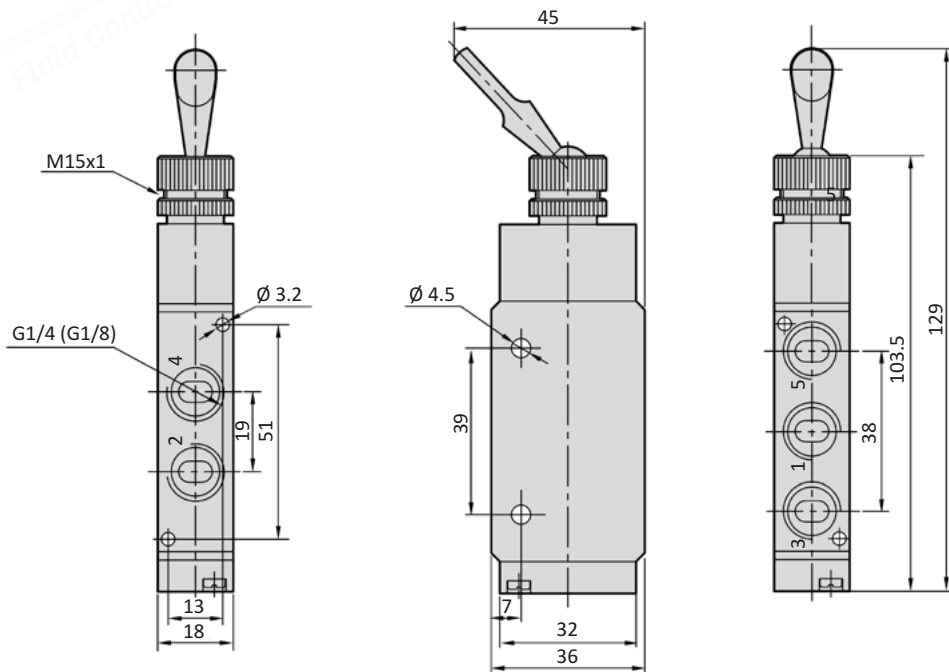
84-HPV-xx-520  
5/2-way, with detent function

Please complete: xx = 18 for G1/8  
xx = 14 for G1/4

**Technical data**

Model-no.:	84-HPV-18-520	84-HPV-14-520
<b>Connection</b>	G1/8	G1/4
<b>Nominal size (mm)</b>	4	5
<b>Flow rate (NI/min)</b>	750	980
<b>Operating pressure (bar)</b>	0 ... 8 bar	0 ... 8 bar
<b>Weight (kg)</b>	0.17	0.16

**Dimensions**



- 1 = pressure inlet
- 2,4 = outlets
- 3,5 = exhausts