

Diese Ventile können für das Schalten von Dampf, Gas, Heiß- und Kaltwasser, Luft oder Vakuum eingesetzt werden. Sie eignen sich besonders für die Blockmontage und basieren auf dem bewährten Prinzip der TPC-Ventile.

These valves are designed for the use with Steam, Hot Water, Cold Water, Air, Gas or on Vacuum Service. This valves are especially made for manifold block application. The design based on the long field proven TPC series in the tire industry.



Betriebsdruck Operating pressure	max. 40 bar (580 psi)
Gegendruck Back pressure	max. 25 bar (362 psi)
Vorsteuerdruck Pilot pressure	2,5 – 3,5 bar (36-51 psi)
Druckstufe Nominal pressure	PN 40
Temperaturbereich Temperature range	- 30°C to + 215°C (- 22°F to + 419°F)
Medium Medium	Dampf, Stickstoff, Luft Steam, Nitrogen, Air
Gehäusematerial Body material	Edelstahlguss Stainless steel casting
Material Spindel und Sitz Stem and seat material	Edelstahl Stainless steel
Packungsmaterial Packing material	kohlegraphitverstärktes Teflon® Graphite-reinforced Teflon®
Dichtungsmaterial Seal type	Carbon Teflon® Carbon Teflon®

Bestellschlüssel / Order Code

PPM-1 2 * 4 - * * *

Baureihe Series

Version Version

2 2/2-Wege
2/2-way

Funktion Function

1 Normal geschlossen
Normally closed (NC)
2 Normal offen
Normally open (NO)

Anschlüsse Connections

4 Grundplattenanschluss
Panel version

Gewinde Steuerluftanschluss Pilot port thread

B BSPT-Gewinde
BSPT thread

N* NPT-Gewinde
NPT thread

P* PT-Gewinde
PT thread

Nennweite Nominal size

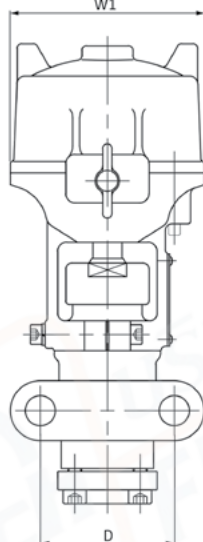
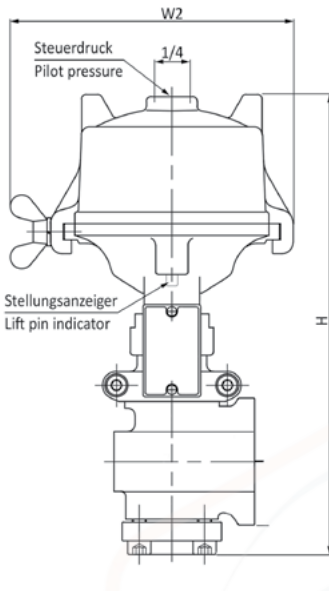
15	15 mm
20	20 mm
25	25 mm
32	32 mm
40	40 mm

* Verfügbar auf Anfrage. Kein Lagerartikel.

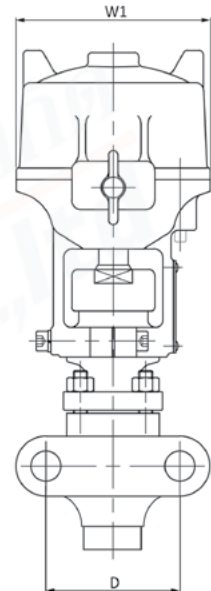
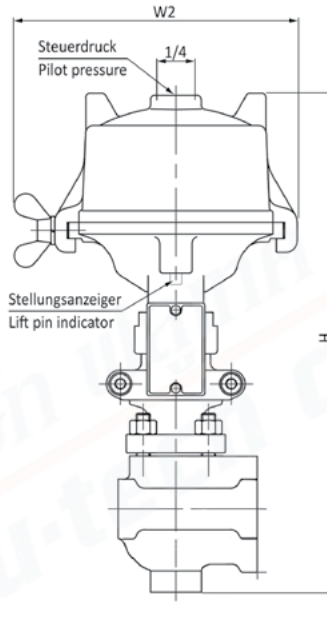
* Available on request. No stock item.

Abmessungen / Dimensions (mm)

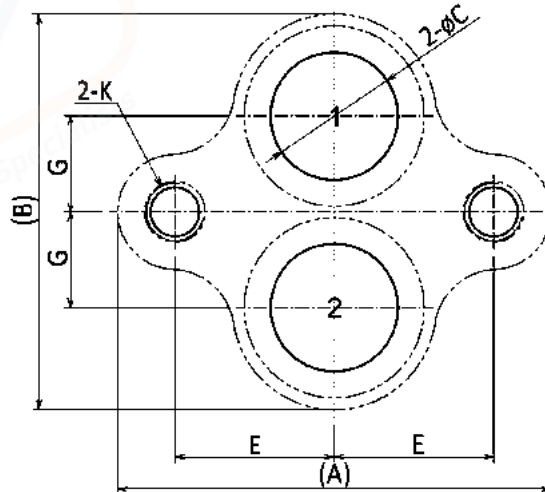
PPM-1214
normal geschlossen
normally closed



PPM-1224
normal offen
normally open



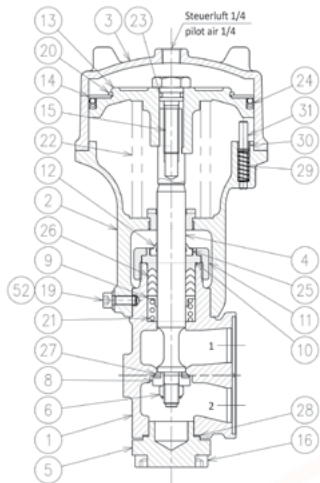
Abmessungen der Flanschaufnahme
Foot print dimension



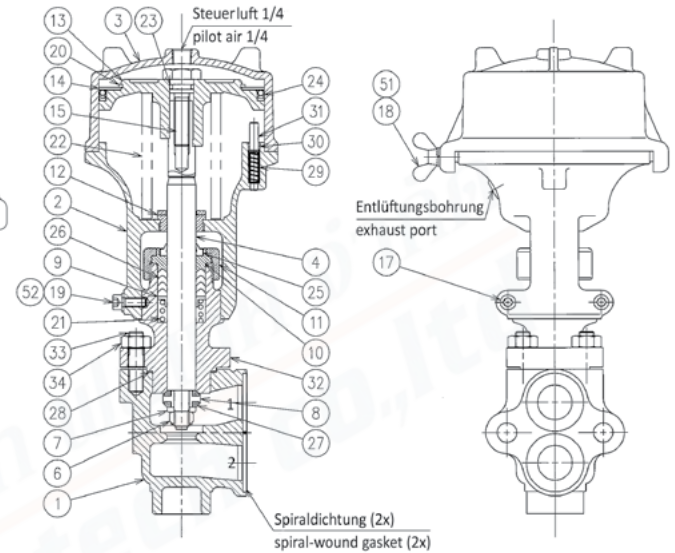
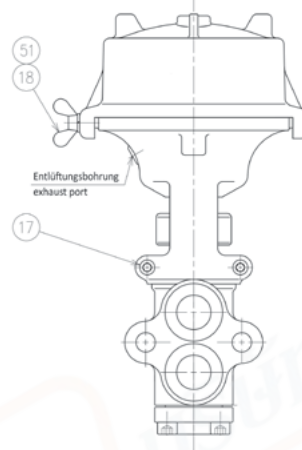
Bestell-Nr. Model No.	DN	A	B	C	D	E	G	H	K	W1	W2	Gewicht (kg) Weight (kg)
PPM-1214-15B	15	78	55	13	52	26	13	200	M12	122	84	2,8
PPM-1214-20B	20	86	73	19	58	29	17,5	237,5	M12	139	100	4,3
PPM-1214-25B	25	92	84	23	64	32	20	280,5	M12	169	128	6,8
PPM-1214-32B	32	122	106	32	90	45	25	323	M16	185	142	10,1
PPM-1214-40B	40	136	124	40	100	50	30	384	M18	211	170	15,8
PPM-1224-15B	15	78	55	13	52	26	13	221	M12	122	84	2,9
PPM-1224-20B	20	86	73	19	58	29	17,5	263,5	M12	139	100	4,6
PPM-1224-25B	25	92	84	23	64	32	20	309	M12	169	128	7,5
PPM-1224-32B	32	122	106	32	90	45	25	349	M16	185	142	11,1
PPM-1224-40B	40	136	124	40	100	50	30	417	M18	211	170	17,3

Ersatzteile / Spare parts

normal geschlossen
normally closed



normal offen
normally open



Nr. No.	Bezeichnung Name Ventil Valve	PPM-1214-15B	PPM-1214-20B	PPM-1214-25B	PPM-1214-32B	PPM-1214-40B	PPM-1224-15B	PPM-1224-20B	PPM-1224-25B	PPM-1224-32B	PPM-1224-40B
1	Gehäuse / Body	PP-11415 - 01	PP-11420 - 01	PP-11425 - 01	PP-11432 - 01	PP-11440 - 01	PP-12415 - 01	PP-12420 - 01	PP-12425 - 01	PP-12432 - 01	PP-12440 - 01
2	Träger / Yoke	PP-11415 - 02	PP-11420 - 02	PP-11425 - 02	PP-11432 - 02	PP-11440 - 02	PP-12415 - 02	PP-12420 - 02	PP-12425 - 02	PP-12432 - 02	PP-12440 - 02
3	Zylinder / Cylinder	PP-11415 - 03 *	PP-11420 - 03 *	PP-11425 - 03 *	PP-11432 - 03 *	PP-11440 - 03 *	PP-11415 - 03 *	PP-11420 - 03 *	PP-11425 - 03 *	PP-11432 - 03 *	PP-11440 - 03 *
4	Spindel / Stem	PP-11415 - 04	PP-11420 - 04	PP-11425 - 04	PP-11432 - 04	PP-11440 - 04	PP-12415 - 04	PP-12420 - 04	PP-12425 - 04	PP-12432 - 04	PP-12440 - 04
5	Ventilsitz / Lower seat	PP-11415 - 05	PP-11420 - 05	PP-11425 - 05	PP-11432 - 05	PP-11440 - 05	PP-11415 - 05	PP-11420 - 05	PP-11425 - 05	PP-11432 - 05	PP-11440 - 05
6	Mutter / U-nut	C-21115 - 06	C-21120 - 06	C-21125 - 06	C-21132 - 06	C-21140 - 06	C-21115 - 06	C-21120 - 06	C-21125 - 06	C-21132 - 06	C-21140 - 06
8	Scheibe / Disc adapter	PP-11415 - 08	PP-11420 - 08	PP-11425 - 08	PP-11432 - 08	PP-11440 - 08	PP-11415 - 08	PP-11420 - 08	PP-11425 - 08	PP-11432 - 08	PP-11440 - 08
9	Druckscheibe / Ring washer	C-21115 - 09	C-21120 - 09	C-21125 - 09	C-21132 - 09	C-21140 - 09	C-21115 - 09	C-21120 - 09	C-21125 - 09	C-21132 - 09	C-21140 - 09
10	Stopfbuchse / Gland	C-21115 - 10	C-21120 - 10	C-21125 - 10	C-21132 - 10	C-21140 - 10	C-21115 - 10	C-21120 - 10	C-21125 - 10	C-21132 - 10	C-21140 - 10
11	Stopfbuchsenmutter / Gland nut	C-21115 - 11	C-21120 - 11	C-21125 - 11	C-21132 - 11	C-21140 - 11	C-21115 - 11	C-21120 - 11	C-21125 - 11	C-21132 - 11	C-21140 - 11
12	Führungsbuchse / Guide bushing	C-21115 - 12	C-21120 - 12	C-21125 - 12	C-21132 - 12	C-21140 - 12	C-21115 - 12	C-21120 - 12	C-21125 - 12	C-21132 - 12	C-21140 - 12
13	Kolben / Piston	PP-11415 - 13	PP-11420 - 13	PP-11425 - 13	PP-11432 - 13	PP-11440 - 13	PP-11415 - 13	PP-11420 - 13	PP-11425 - 13	PP-11432 - 13	PP-11440 - 13
14	Ringplatte / Ring plate	PP-11415 - 14	PP-11420 - 14	PP-11425 - 14	PP-11432 - 14	PP-11440 - 14	PP-11415 - 14	PP-11420 - 14	PP-11425 - 14	PP-11432 - 14	PP-11440 - 14
15	Spannschraube / Tension bolt	C-21115 - 15	C-21120 - 15	C-21125 - 15	C-21132 - 15	C-21140 - 15	C-21115 - 15	C-21120 - 15	C-21125 - 15	C-21132 - 15	C-21140 - 15
16	Innensechskantschraube / Socket cap screw	C-21115 - 16	C-21120 - 16	C-21125 - 16	C-21132 - 16	C-21140 - 16	C-21115 - 16	C-21120 - 16	C-21125 - 16	C-21132 - 16	C-21140 - 16
17	Innensechskantschraube / Socket cap screw	C-21115 - 17	C-21120 - 17	C-21125 - 17	C-21132 - 17	C-21140 - 17	C-21115 - 17	C-21120 - 17	C-21125 - 17	C-21132 - 17	C-21140 - 17
18	Flügelmutter / Wing bolt	C-21115 - 18	C-21120 - 18	C-21125 - 18	C-21132 - 18	C-21140 - 18	C-21115 - 18	C-21120 - 18	C-21125 - 18	C-21132 - 18	C-21140 - 18
19	Innensechskantschraube / Socket cap screw	C-21115 - 19	C-21120 - 19	C-21125 - 19	C-21132 - 19	C-21140 - 19	C-21115 - 19	C-21120 - 19	C-21125 - 19	C-21132 - 19	C-21140 - 19
20	Sicherungsring/ Retaining ring	PP-11415 - 20	PP-11420 - 20	PP-11425 - 20	PP-11432 - 20	PP-11440 - 20	PP-11415 - 20	PP-11420 - 20	PP-11425 - 20	PP-11432 - 20	PP-11440 - 20
21	Packungsfeder / Packing spring	C-21115 - 21	C-21120 - 21	C-21125 - 21	C-21132 - 21	C-21140 - 21	C-21115 - 21	C-21120 - 21	C-21125 - 21	C-21132 - 21	C-21140 - 21
22	Feder / Piston Spring	C-21115 - 22	C-21120 - 22	C-21125 - 22	C-21132 - 22	C-21140 - 22	C-21115 - 22	C-21120 - 22	C-21125 - 22	C-21132 - 22	C-21140 - 22
23	O-Ring / O-ring	C-21115 - 23	C-21120 - 23	C-21125 - 23	C-21132 - 23	C-21140 - 23	C-21115 - 23	C-21120 - 23	C-21125 - 23	C-21132 - 23	C-21140 - 23
24	Kolbendichtung / Piston ring	PP-11415 - 24	PP-11420 - 24	PP-11425 - 24	PP-11432 - 24	PP-11440 - 24	PP-11415 - 24	PP-11420 - 24	PP-11425 - 24	PP-11432 - 24	PP-11440 - 24
25	Abstreifer / Dust seal	C-21115 - 25	C-21120 - 25	C-21125 - 25	C-21132 - 25	C-21140 - 25	C-21115 - 25	C-21120 - 25	C-21125 - 25	C-21132 - 25	C-21140 - 25
26	Packung / Gland packing	C-21115 - 27	C-21120 - 27	C-21125 - 27	C-21132 - 27	C-21140 - 27	C-21115 - 27	C-21120 - 27	C-21125 - 27	C-21132 - 27	C-21140 - 27
27	Sitzring / Disc ring (2x)	C-21115 - 28	C-21120 - 28	C-21125 - 28	C-21132 - 28	C-21140 - 28	C-21115 - 28	C-21120 - 28	C-21125 - 28	C-21132 - 28	C-21140 - 28
28	Dichtung / Lower seat gasket	PP-11415 - 28	PP-11420 - 28	PP-11425 - 28	PP-11432 - 28	PP-11440 - 28	PP-12415 - 28	PP-12420 - 28	PP-12425 - 28	PP-12432 - 28	PP-12440 - 28
29	Anzeigefeder / Indicator spring	PP-11415 - 29	PP-11420 - 29	PP-11425 - 29	PP-11432 - 29	PP-11440 - 29	PP-11415 - 29	PP-11420 - 29	PP-11425 - 29	PP-11432 - 29	PP-11440 - 29
30	Lager / Dry bearing	PP-11415 - 30	PP-11420 - 30	PP-11425 - 30	PP-11432 - 30	PP-11440 - 30	PP-11415 - 30	PP-11420 - 30	PP-11425 - 30	PP-11432 - 30	PP-11440 - 30
31	Anzeiger / Lift pin gauge	PP-11415 - 31	PP-11420 - 31	PP-11425 - 31	PP-11432 - 31	PP-11440 - 31	PP-11415 - 31	PP-11420 - 31	PP-11425 - 31	PP-11432 - 31	PP-11440 - 31
32	Haube / Bonnet	-	-	-	-	-	PP-12415 - 32	PP-12420 - 32	PP-12425 - 32	PP-12432 - 32	PP-12440 - 32
33	Gewindebolzen / Stud bolt	-	-	-	-	-	PP-12415 - 33	PP-12420 - 33	PP-12425 - 33	PP-12432 - 33	PP-12440 - 33
34	Mutter / Nut	-	-	-	-	-	PP-12415 - 34	PP-12420 - 34	PP-12425 - 34	PP-12432 - 34	PP-12440 - 34
51	Federscheibe / Spring lock washer	C-21115 - 51	C-21120 - 51	C-21125 - 51	C-21132 - 51	C-21140 - 51	C-21115 - 51	C-21120 - 51	C-21125 - 51	C-21132 - 51	C-21140 - 51
52	Federscheibe / Spring lock washer	C-21115 - 51	C-21120 - 51	C-21125 - 51	C-21132 - 51	C-21140 - 51	C-21115 - 51	C-21120 - 51	C-21125 - 51	C-21132 - 51	C-21140 - 51

* bitte ergänzen: B = BSPT-Gewinde, N = NPT-Gewinde, P = PT-Gewinde / * please complete: B = BSPT thread, N = NPT thread, P = PT thread