

General

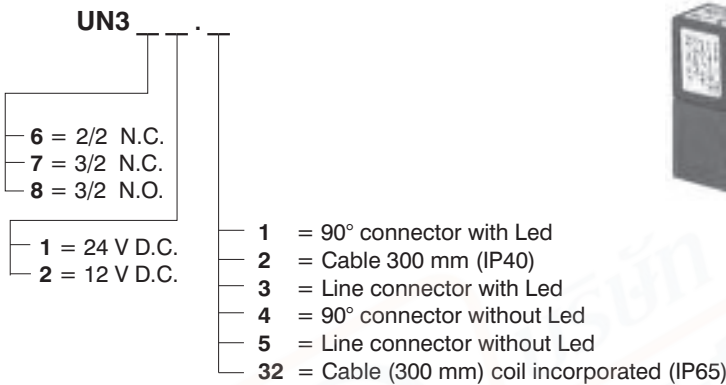
The series **us** homologated solenoid valves (valid for USA and Canada file n. E206325-VAIU2, VAIU8) are different from the standard ones for microsolenoid made with an injected RYNITE embedded copper wire (they are included in class "F" insulation).

Refer to standard versions as for as other details and accessories to be used with solenoid valves.

1
AIR DISTRIBUTION

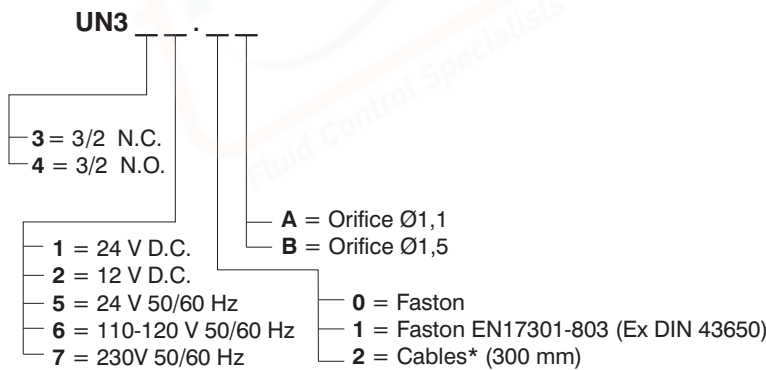
Miniature solenoid valve 10mm

Ordering code



Miniature solenoid valve 15mm

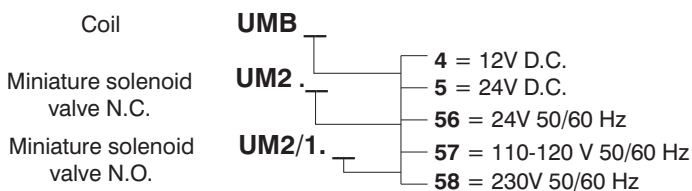
Ordering code



* On request and for large quantity only (only 24 V D.C. 2,3 W)

Miniature solenoid valve 22mm

Ordering code



Miniature solenoid valve 22mm for series mounting

| Ordering code | |
|---------------------|--|
| Coil N.C. | <p>UMB</p> <ul style="list-style-type: none"> 4 = 12 V D.C. 5 = 24 V D.C. 56 = 24 V 50/60 Hz 57 = 110-120 V 50/60 Hz 58 = 230 V 50/60 Hz |
| Coil N.O. | <p>UMB /1</p> <ul style="list-style-type: none"> 10 = 24 V D.C. 8W 56 = 24 V 50/60 Hz 57 = 110-120 V 50/60 Hz 58 = 230 V 50/60 Hz |
| Solenoid valve N.C. | <p>U3 5.M</p> <ul style="list-style-type: none"> 0 = G1/8" 5 = M5 4 = fitting for 4mm tube 4 = 12 V D.C. 5 = 24 V D.C. 56 = 24 V 50/60 Hz 57 = 110-120 V 50/60 Hz 58 = 230 V 50/60 Hz |
| Solenoid valve N.O. | <p>U3 5.M /1</p> <ul style="list-style-type: none"> 0 = G1/8" 5 = M5 4 = fitting for 4mm tube 10 = 24 V D.C. 8W 56 = 24 V 50/60 Hz 57 = 110-120 V 50/60 Hz 58 = 230 V 50/60 Hz |



1
AIR DISTRIBUTION

Bi-stable miniature solenoid valve 22mm

| Ordering code | |
|---|---|
| Coil | UMBB5 |
| Miniature solenoid valve for distributors and bases (N.C.) | UM5/B |
| Miniature solenoid valve with inseries mounting base (N.C.) | <p>U3 5.M5/B</p> <ul style="list-style-type: none"> 0 = G1/8" 5 = M5 4 = fitting for 4mm tube |



Solenoid valve 30 mm (for mechanics M3 and M4)

| Ordering code | |
|---------------|-----------------------------------|
| | UMC5 = 24 V D.C. |
| | UMC56 = 24 V 50/60 Hz |
| | UMC57 = 110÷120 V 50/60 Hz |
| | UMC58 = 230 V 50/60 Hz |



Solenoid valve 32 mm

| Ordering code | |
|---------------------|--|
| Solenoid valve N.C. | US |
| Solenoid valve N.O. | US /1 |
| | <ul style="list-style-type: none"> 4 = 12 V D.C. 5 = 24 V D.C. 56 = 24 V 50/60 Hz 57 = 110-120 V 50/60 Hz 58 = 230 V 50/60 Hz |

