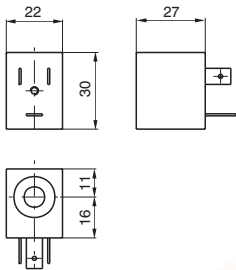


Solenoid coils

Solenoid coils (for Series 771, 772, 773, 779, T772, T773, T771 and N776)



Weight 52 gr.

Standard Version

Ordering code	Available voltages
MB 4	12 D.C. Direct current
MB 5	24 D.C. Direct current
MB 6	48 D.C. Direct current
MB 9 *	24 D.C. (2 Watt) (Direct current, low consumption)
MB 17	24/50 Alternating current 50 Hz
MB 21	48/50 Alternating current 50 Hz
MB 22	110/50 Alternating current 50 Hz
MB 24	230/50 Alternating current 50 Hz
MB 37	24/60 Alternating current 60 Hz
MB 39	110/60 Alternating current 60 Hz
MB 41	230/60 Alternating current 60 Hz
MB 56	24/50-60 Alternating current 50/60 Hz
MB 57	110/50-60 Alternating current 50/60 Hz
MB 58	230/50-60 Alternating current 50/60 Hz
MB 66 **	24/50-60 Alternating current 50/60 Hz
MB 67 **	110/50-60 Alternating current 50/60 Hz
MB 68 **	230/50-60 Alternating current 50/60 Hz

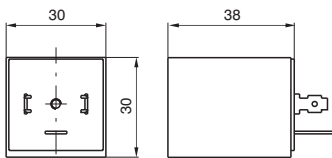
* Use only with M2/9

** low consumption

Version US

Ordering code	Available voltages
UMB 4	12 D.C. Direct current
UMB 5	24 D.C. Direct current
UMB 56	24/50-60 Alternating current 50/60 Hz
UMB 57	110 ... 120/50-60 Alternating current 50/60 Hz
UMB 58	230/50-60 Alternating current 50/60 Hz

Solenoid coils (for Series N776)



Weight 110 gr.

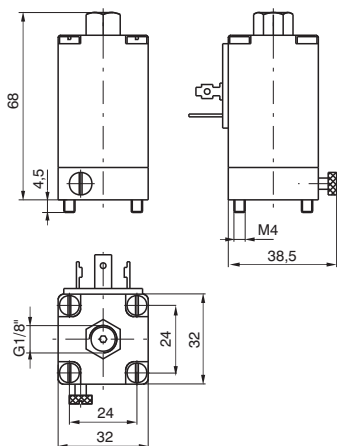
Standard Version

Ordering code	Available voltages
MC 5	24 D.C. Direct current
MC 9	24 D.C. (2 Watt) Direct current
MC 56	24/50-60 Alternating current 50/60 Hz
MC 57	110/50-60 Alternating current 50/60 Hz
MC 58	230/50-60 Alternating current 50/60 Hz

Version US

Ordering code	Available voltages
UMC 5	24 D.C. Direct current
UMC 56	24/50-60 Alternating current 50/60 Hz
UMC 57	110 ... 120/50-60 Alternating current 50/60 Hz
UMC 58	230/50-60 Alternating current 50/60 Hz

► Solenoid valve (for Series 776)



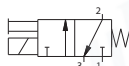
Versione Standard

Ordering code	Available voltages
S 2	6 D.C. Direct current
S 4	12 D.C. Direct current
S 5	24 D.C. Direct current
S 6	48 D.C. Direct current
S 16	12/50 Alternating current 50 Hz
S 17	24/50 Alternating current 50 Hz
S 19	32/50 Alternating current 50 Hz
S 20	42/50 Alternating current 50 Hz
S 21	48/50 Alternating current 50 Hz
S 22	110/50 Alternating current 50 Hz
S 23	115/50 Alternating current 50 Hz
S 24	230/50 Alternating current 50 Hz
S 36	12/60 Alternating current 60 Hz
S 37	24/60 Alternating current 60 Hz
S 38	48/60 Alternating current 60 Hz
S 39	110/60 Alternating current 60 Hz
S 40	115/60 Alternating current 60 Hz
S 41	230/60 Alternating current 60 Hz
S 56	24/50-60 Alternating current 50/60 Hz
S 57	110/50-60 Alternating current 50/60 Hz
S 58	230/50-60 Alternating current 50/60 Hz

Versione c us

Ordering code	Available voltages
US 4	12 D.C. Direct current
US 5	24 D.C. Direct current
US 56	24/50-60 Alternating current 50/60 Hz
US 57	110 ... 120/50-60 Alternating current 50/60 Hz
US 58	230/50-60 Alternating current 50/60 Hz

Normally Closed (N.C.)



Weight 220 gr.

