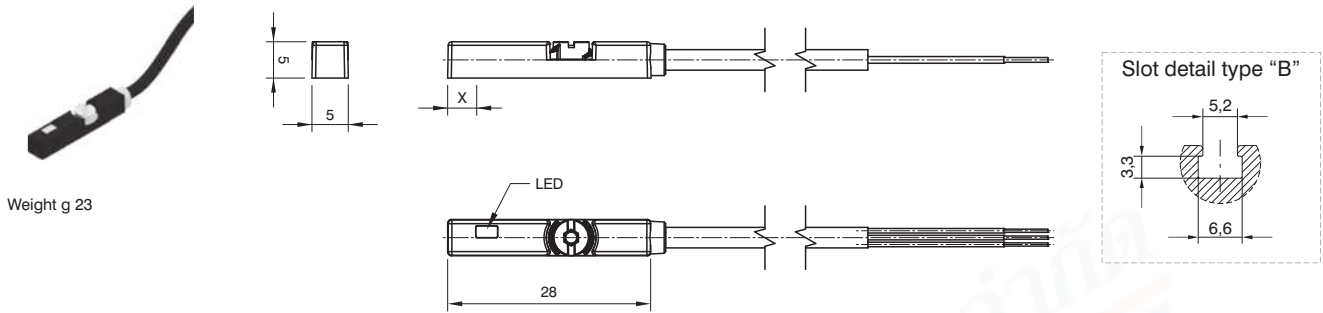


► Sensor with 2.5 m. cable

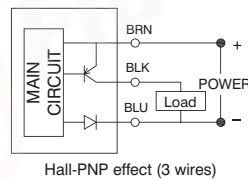


Weight g 23

Ordering code

Hall effect sensors, with led, DC, N.O. (Normally open)		X= point of commutation
1595.HAP	PNP (3 wires) cable 2.5 mt.	2.3 mm

Diagrams and connections



Technical characteristics	1595.HAP
Type of contact	N.O.
Output type	PNP
Maximum current	100 mA
Maximum permanent power	3W
Voltage range	10 - 28 VDC
Working temperature	-10 - +70°C
Maximum voltage drop	1,5V
Cable section (mm ²)	3 x 0,14 Ø2.8 mm PUR
Degree of protection	IP67

3 PNEUMATIC ACTUATION