

► Single rack rotary actuators



Ordering code

6411.Ø.
 — 50 — 90 = rotation 90°
 — 63 — 180 = rotation 180°
 — 80
 — 100

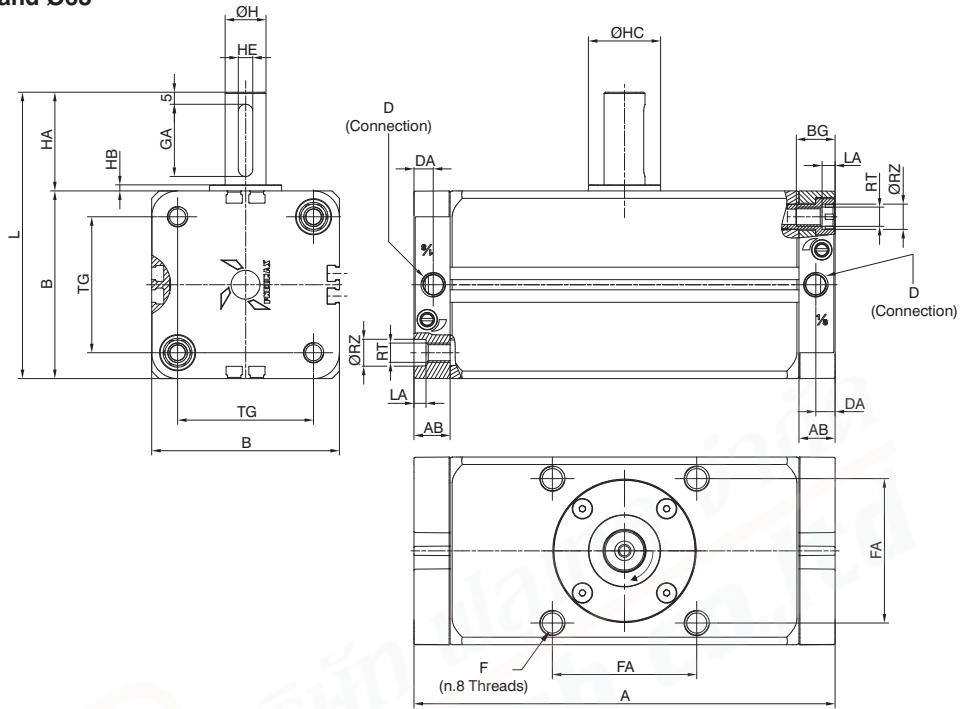
Construction characteristics

Body	anodised aluminium
Piston	aluminium
End cap	anodised aluminium
Piston seal	NBR rubber
Pinion	steel
Rack	steel

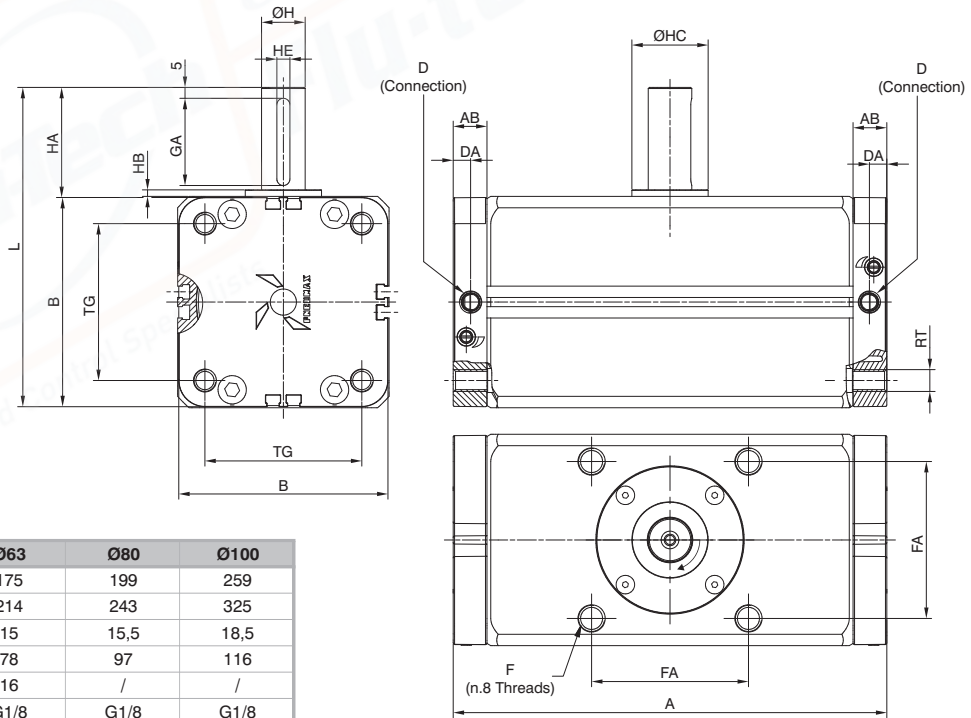
Operational characteristics

Fluid	Filtered air. No lubrication needed, if applied it shall be continuous.
Max. pressure	10 bar
Working temperature	-5°C - +70°C
Rotation tolerance	0° - +4°

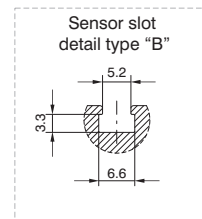
Overall dimensions Ø50 and Ø63



Overall dimensions Ø80 and Ø100



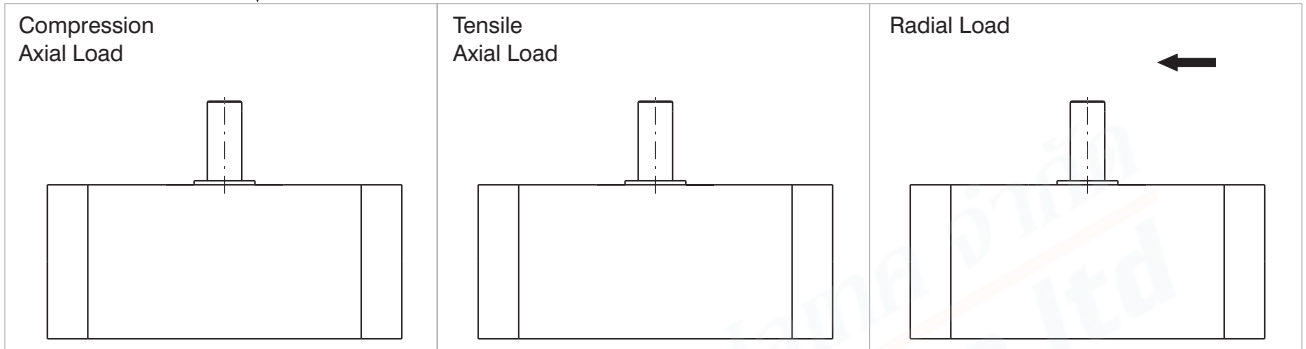
Bore		Ø50	Ø63	Ø80	Ø100
A	90°	156	175	199	259
	180°	189	214	243	325
AB		15	15	15,5	18,5
B		66	78	97	116
BG		16	16	/	/
D		G1/8	G1/8	G1/8	G1/8
DA		8	8	8	8
F		M8x1,25	M10x1,5	M12x1,75	M12x1,75
	Useful depth	12	15	15	18
FA		48	60	72	85
GA		25	30	40	45
H		15	17	20	25
HA		36	41	50	60
HB		2,5	2,5	3	4
HC		25	30	35	39,5
HE ¹⁸		5	6	6	8
L		102	119	147	176
LA		5	5	/	/
RT		M8	M8	M10	M10
RZ		10,5	10,5	/	/
TG		46,5	56,5	72	89
Weight (gr.)	90°	1575	2451	4162	6989
	180°	1815	2823	4774	8329



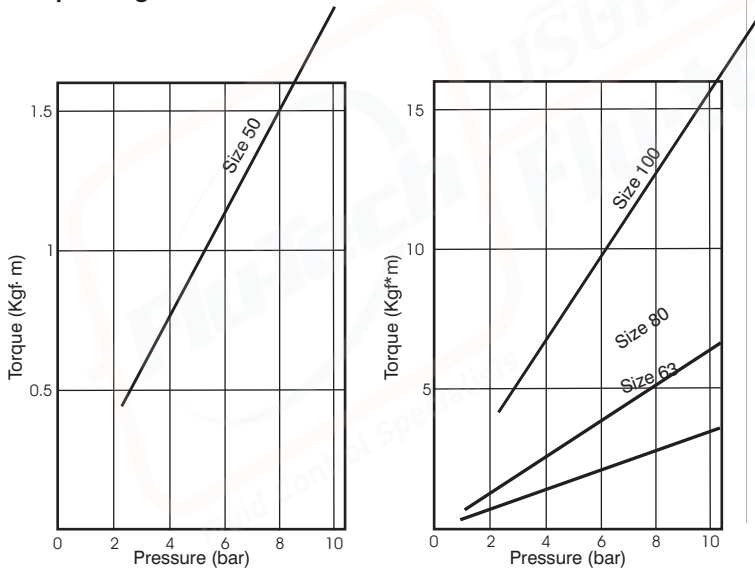
Usable sensors code
1590_
LRS_
LHS_

Allowable Loads

	Bore			
	Ø50	Ø63	Ø80	Ø100
Radial load (N)	200	300	400	600
Axial Load in compression (N)	500	600	900	1000
Tensile Axial Load (N)	200			



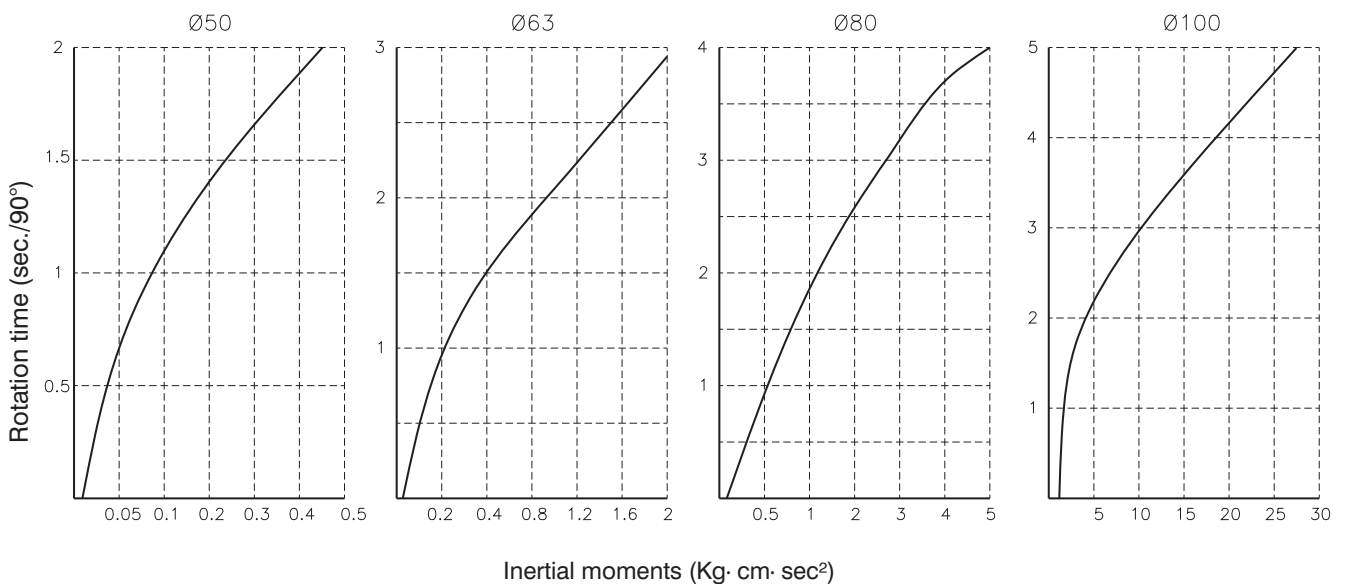
Torque Diagrams



Max Kinetic energy (Kg·cm)
Kinetic energy (cushioning angle 35°)

Bore			
Ø50	Ø63	Ø80	Ø100
10	15	20	30

Rotation time according to inertial moments



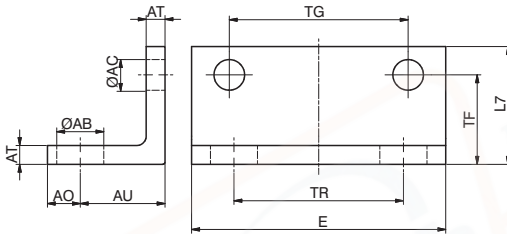
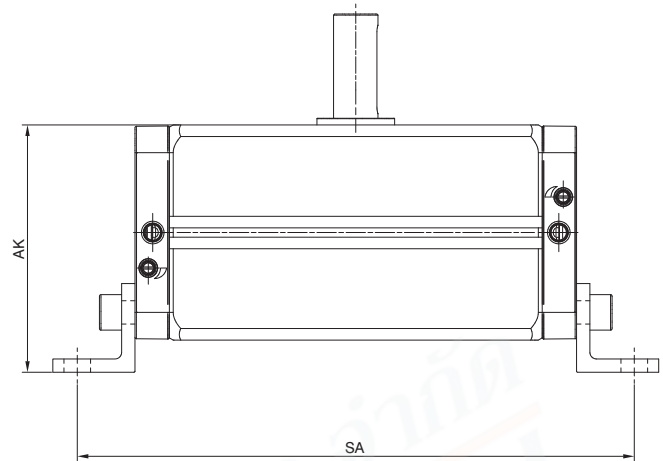


Foot (MS1)

Ordering code

1540.Ø.05/1F

The kit comprises:
n°1 foot (plated zinc steel)
n°2 screws (plated zinc steel)



Bore	Ø50	Ø63	Ø80	Ø100
AK	78	89	111,5	132
SA	90°	198	217	251
	180°	231	256	295

