



▶ Parallel style pneumatic grippers - Wide opening



Ordering Code

6311.Ø.D.

- 10
- 16
- 20
- 25
- 32
- 40

Ordering code options	Stroke					
		20	30	40	50	70
1	40	60	80	100	120	160
2	60	80	100	120	160	200
	Ø10	Ø16	Ø20	Ø25	Ø32	Ø40
<b>Bore</b>						

Construction characteristics

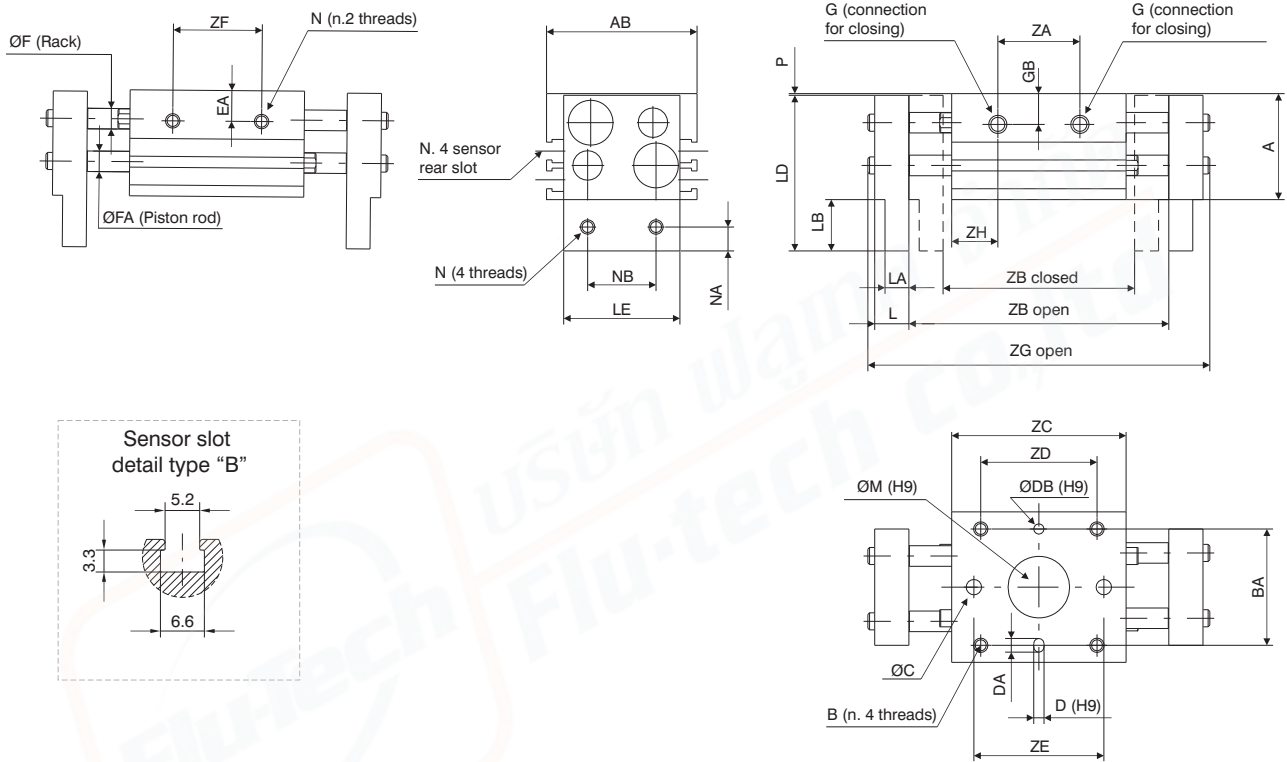
Body	anodised aluminium
Piston	aluminium
Fingers	anodised aluminium
Rod	steel
Rack	steel
Pinion	steel

Operational characteristics

Function	double acting
Fluid	Filtered air. No lubrication needed, if applied it shall be continuous.
Working pressure	Ø10: 1.5 - 6 bar - Ø16 - 40: 1 - 6 bar
Working temperature	-5°C - +70°C

Model	Diameter (mm)	Max.operating frequency cycles/min.	Model	Diameter (mm)	Max.operating frequency cycles/min.
6311.10.D	10	60	6311.25.D	25	60
6311.10.D.1		40	6311.25.D.1		40
6311.10.D.2			6311.25.D.2		
6311.16.D	16	60	6311.32.D	32	30
6311.16.D.1		40	6311.32.D.1		20
6311.16.D.2			6311.32.D.2		
6311.20.D	20	60	6311.40.D	40	30
6311.20.D.1		40	6311.40.D.1		20
6311.20.D.2			6311.40.D.2		

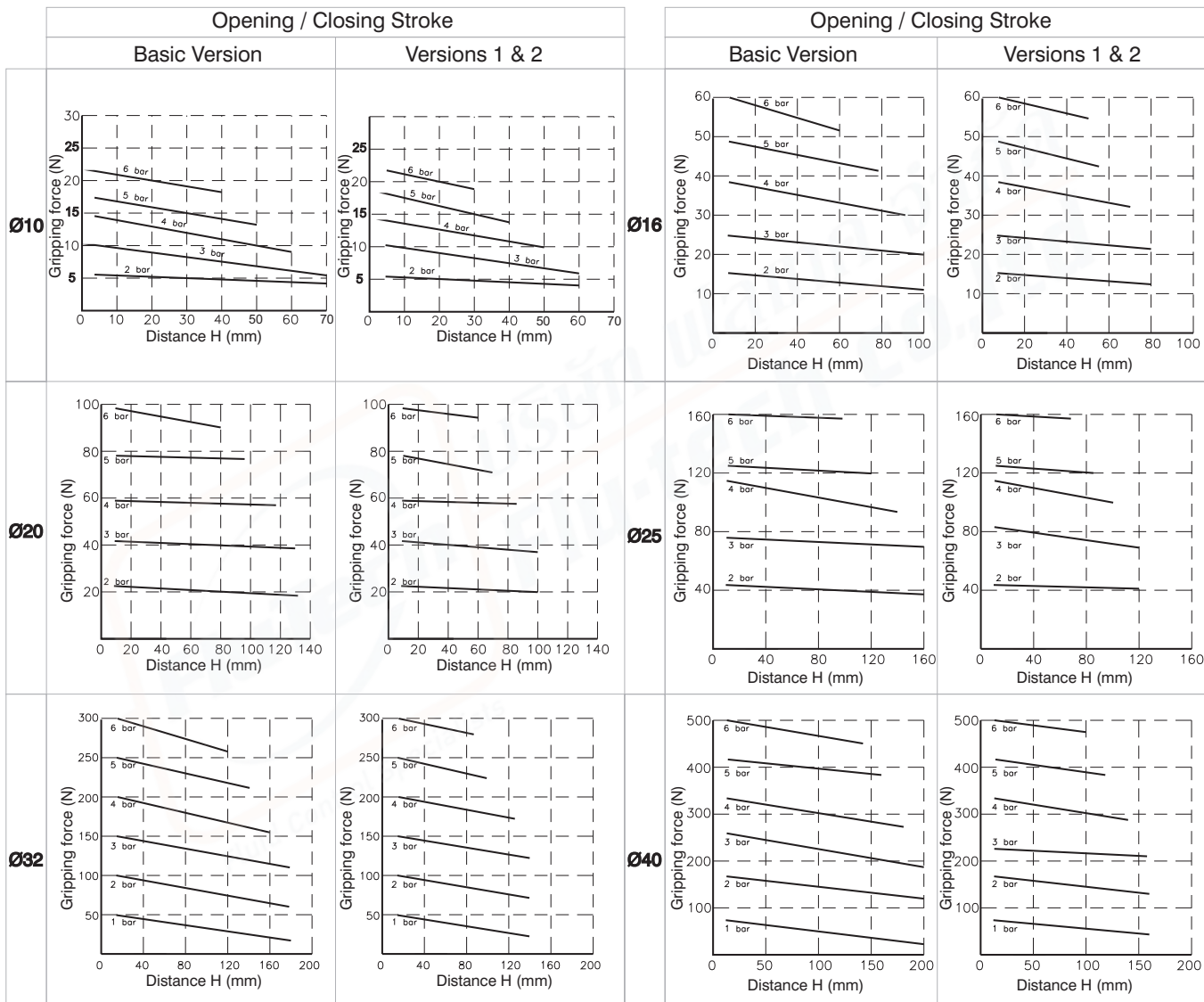
Overall dimensions



Bore	Ø10	Ø16	Ø20	Ø25	Ø32	Ø40													
<b>A</b>	31	39	46	52	68	79													
<b>AB</b>	44	55	65	76	82	98													
<b>B</b>	M4x0,7	M5x0,8	M6x1	M8x1.25	M8x1.25	M10x1.5													
Useful depth	8	10	12	16	16	20													
<b>BA</b>	34	42	52	62	64	76													
<b>ØC</b>	4,5	5,5	6,6	9	/	/													
<b>D</b> <sup>H9</sup>	3	3	4	4	6	6													
Useful depth	3	3	4	4,5	8	8													
<b>DA</b>	4	4	5	5	7	7													
<b>ØDB</b> <sup>H9</sup>	3	3	4	4	6	6													
Useful depth	3	3	4	4,5	8	8													
<b>E</b>	M4x0,7	M5x0,8	M6x1	M8x1.25	M8x1.25	M10x1.5													
Useful depth	5	7	7	7	11	16													
<b>EA</b>	9	10	11	12,5	22	28													
<b>ØF</b>	6	8	10	12	14	16													
<b>FA</b>	6	8	10	12	16	20													
<b>G</b>	M5x0,8	M5x0,8	M5x0,8	M5x0,8	G1/8	G1/8													
<b>GB</b>	9	10	11	16	16	18													
<b>L</b>	10	13	17	21	24	28													
<b>LA</b>	7	9	12,5	14	15	18													
<b>LB</b>	15	19	24	29	32	38													
<b>LD</b>	45,5	57,5	69	80	100	117													
<b>LE</b>	34	43	54	64	70	86													
<b>ØM</b> <sup>H9</sup>	18	23	27	32	35	40													
Useful depth	1,5	1,5	1,5	1,5	1,5	1,5													
<b>N</b>	M4x0,7	M5x0,8	M6x1	M8x1,25	M10x1,5	M10x1,5													
<b>NA</b>	7	8	10	12	15	18													
<b>NB</b>	20	25	30	40	50	60													
<b>P</b>	0,5	0,5	1	1	1	1													
<b>ZA</b>	24	39	57	26	50	70	32	68	88	38	86	104	54	104	148	72	130	170	
<b>ZB</b>	closed	56	78	96	68	110	130	82	142	162	100	182	200	150	198	242	188	246	286
open	76	118	156	98	170	210	122	222	262	150	282	320	220	318	402	288	406	486	
<b>ZC</b>	51	67	85	60	90	110	71	113	133	88	142	160	110	158	202	148	206	246	
<b>ZD</b>	36	52	70	45	75	95	58	100	120	70	124	142	86	134	178	116	174	214	
<b>ZE</b>	38	54	72	40	70	90	54	96	116	66	120	138	/	/	/	/	/	/	
<b>ZF</b>	26	42	60	28	58	78	38	80	100	48	102	120	60	108	152	80	138	178	
<b>ZG</b>	open	100	142	180	128	200	240	160	260	300	196	328	366	272	370	454	348	466	546
<b>ZH</b>	13,5	14	14	17	20	20	19,5	22,5	22,5	25	28	28	28	27	27	27	27	27	
<b>Weight (g)</b>	280	350	430	600	800	950	1000	1500	1700	1700	2500	2800	2900	3800	4700	5300	6850	7900	
	20	40	60	30	60	80	40	80	100	50	100	120	70	120	160	100	160	200	
	Stroke																		

**Operating criteria**

**Holding force**



PNEUMATIC ACTUATION

