

► Pneumatic grippers, 180 °angular



Ordering code

6302.Ø.D

10  
16  
20  
25

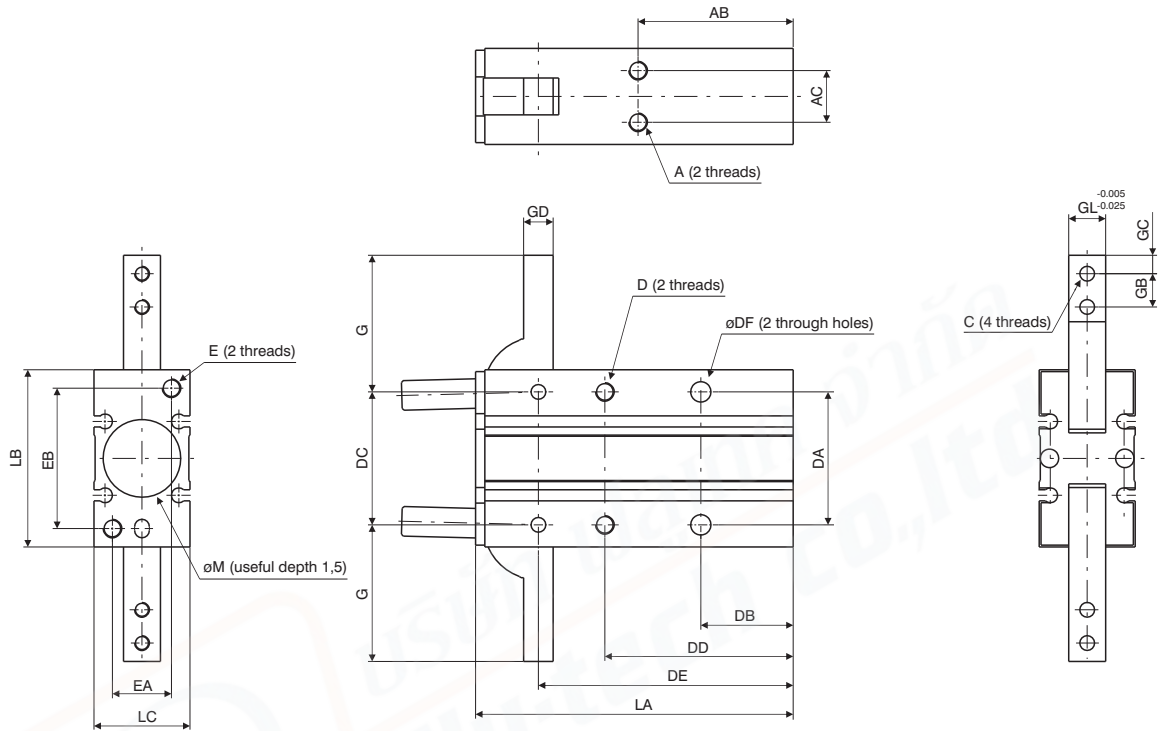
Construction characteristics

Body	anodised aluminium
Piston	aluminium
Fingers	steel
End cap	anodised aluminium

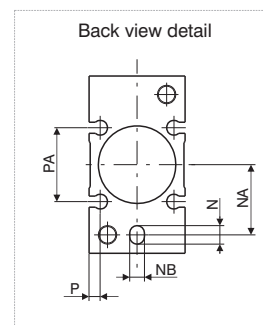
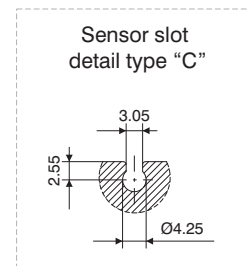
Operational characteristics

Function	double acting
Fluid	Filtered air. No lubrication needed, if applied it shall be continuous.
Working pressure	1 - 6 bar
Working temperature	-5C° - +70C°
Opening total stroke	-3° - 180°
Maximum operating frequency	from Ø10 to Ø25, 60 cycles/minute

**Overall dimensions**



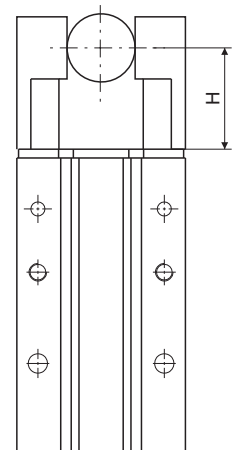
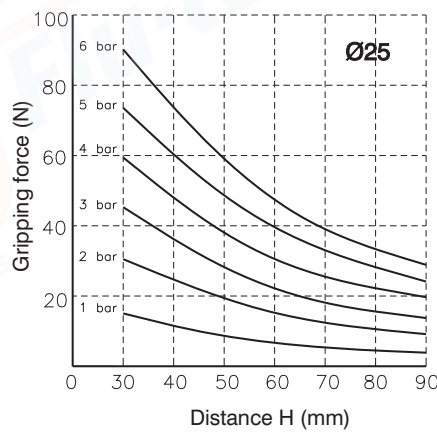
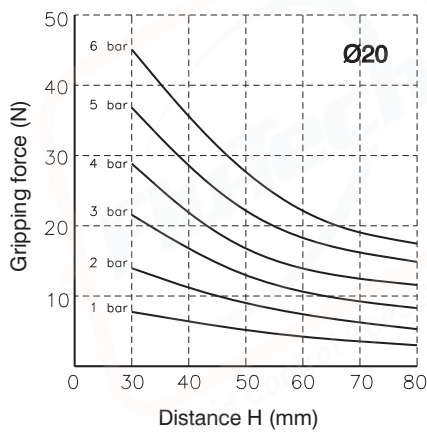
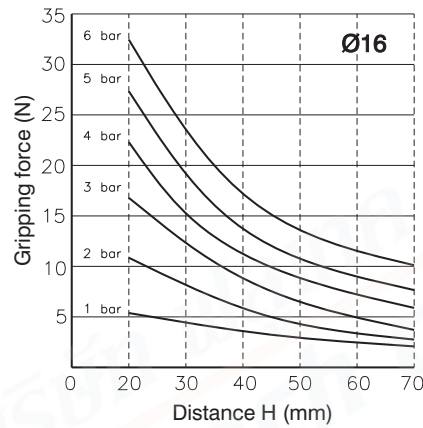
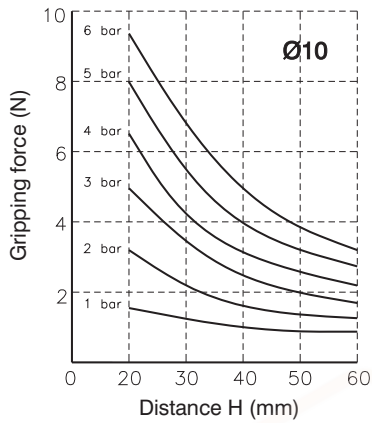
Bore	Ø10	Ø16	Ø20	Ø25
<b>A</b>	M3x0,5	M4x0,7	M5x0,8	M6x1
Useful depth	4	5	8	10
<b>AB</b>	30	33	42	50
<b>AC</b>	9	12	14	16
<b>C</b>	M3x0,5	M3x0,5	M4x0,7	M5x0,8
<b>D</b>	M3x0,5	M4x0,7	M5x0,8	M6x1
Useful depth	6	8	10	12
<b>DA</b>	24	30	36	42
<b>DB</b>	18	20	25	30
<b>DC</b>	22	28	36	45
<b>DD</b>	35	41	51	60
<b>DE</b>	47,5	55,5	69	86
<b>DF</b>	3,4	4,5	5,5	6,6
<b>E</b>	M3x0,5	M4x0,7	M5x0,8	M6x1
Useful depth	6	8	10	12
<b>EA</b>	9	12	16	18
<b>EB</b>	24	30	38	46
<b>F</b>	M5x0,8	M5x0,8	M5x0,8	M5x0,8
<b>FA</b>	3	8	2	14
<b>FB</b>	7	7	8	8
<b>FC</b>	23	25	32	42
<b>G</b>	23,5	28,5	37	45
<b>GB</b>	6	7	9	12
<b>GC</b>	3	4	5	6
<b>GD</b>	4	5	8	10
<b>GL</b>	6	8	10	12
<b>LA</b>	58	69	86	107
<b>LB</b>	30	38	48	58
<b>LC</b>	15	20	26	30
<b>N</b>	4	4	5	5
Useful depth	3	3	4	4
<b>NA</b>	9	15	19	23
<b>ØM<sup>H9</sup></b>	11	17	21	26
<b>ØNB<sup>H9</sup></b>	3	3	4	4
<b>P</b>	2	2,5	3	3
<b>PA</b>	13	18	20	24
<b>Weight (g)</b>	70	150	320	550



Operating criteria

Gripping force 5 bar (Nm)

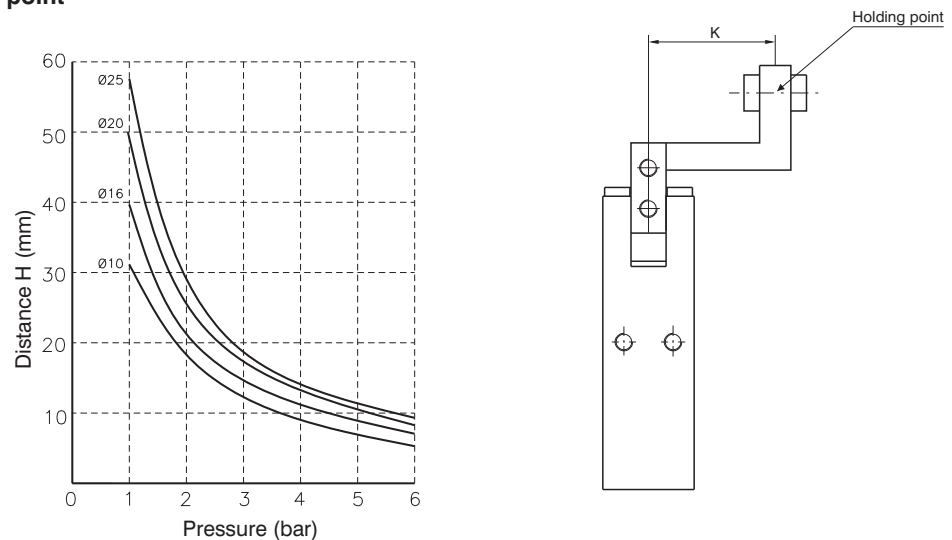
Bore	Ø10	Ø16	Ø20	Ø25
(Nm)	0,16	0,54	1,1	2,28



3

PNEUMATIC ACTUATION

Confirmation of Holding point



Applications where the holding point is outside the recommended parameters shown on the above graph might affect the product life.