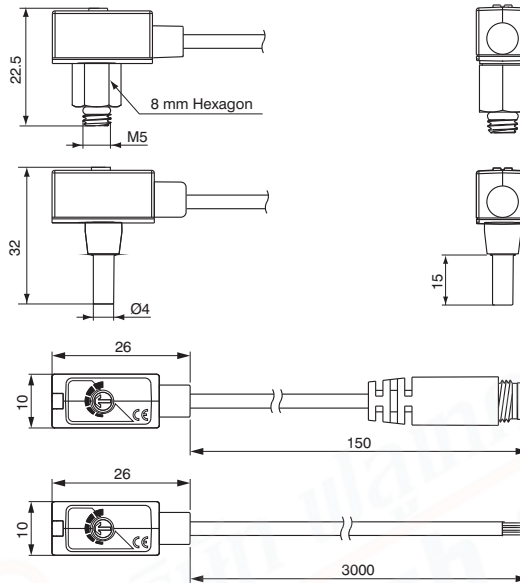


Mini digital pressure switch



Ordering code	
<b>DS.10.P.B.C.0.0</b>	
CONNECTION	
<b>C</b>	F4=Male M5
	R4=Plug-in connection Ø4
CABLE LENGTH	
<b>L</b>	A=150 mm *
	E=3000 mm **
OPTIONS	
<b>0</b>	Without connector
<b>1</b>	With connector M8 male 3 Pin

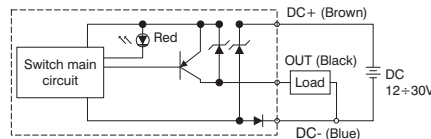
\* only with M8 connector  
\*\* only without connector

2 AIR SERVICE UNITS

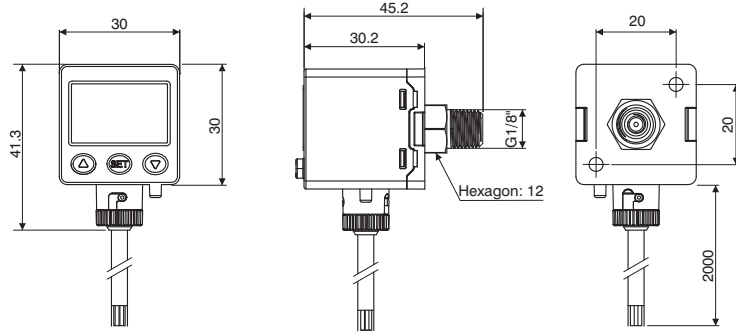
Technical features

Working pressure range	0 - 0.6 mPa
Regulation pressure range	0 - 0.6 mPa
Maximum supported pressure	1.5 mPa
Allowed fluids	Air, non-corrosive gases, non-combustible gases
Supply voltage	From 12 to 30 VDC ±10%
Current consumption	≤ 10mA
Digital output	PNP N.O. 1 outputs Maximum load current: 80mA Maximum supply voltage: 30VDC Voltage drop: ≤0.8V
Repeatability (Digital output)	± 1% Full Scale
Digital output	Type of hysteresis: fixed
	Hysteresis: 3% Full Scale max.
Response time	1ms
Protection from short circuit at output	Present
Method of setting threshold	Adjustable, trimmer
Indicator	LED red (output)
	Protection class: IP40
Ingress protection rating	Ambient temperature: Operational: 0 - 60°C, Storage: -20 - 70°C (without ice or condensation)
	Ambient humidity: Operational/Storage: 35 - 85% (without condensation)
	Vibration: Total amplitude 1.5mm., 10Hz-55Hz-10Hz scanning for 1 minute, 2 hours in each direction of X, Y and Z
	Impacts/shocks: 980m/s <sup>2</sup> (100G), 3 times in each direction of X, Y and Z
Temperature characteristics	±2% Full Scale in a range between 0 - 50°C
Type of connection	Male M5x0.8, Plug-in connection Ø4
Electrical cable	Oilproof cable, 3 wires (0.18mm <sup>2</sup> ), Ø2.6mm
Weight	Approximately 50 gr. (with 3 metres of cable)

Output circuit wiring scheme



Panel-mounted digital pressure switch

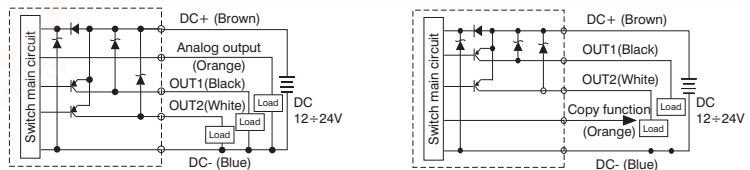


Ordering code	
<b>DS.45.P.U.F3.D.0</b>	
OUTPUTS	
U	E=2 PNP outputs + Analog output (4 / 20 mA)
	L=2 PNP outputs + copy function

Technical features

Working pressure range	0.000 - 1.000 mPa	
Regulation pressure range	-0.100 - 1.000 mPa	
Maximum supported pressure	1.5 mPa	
Allowed fluids	Air, non-corrosive gases, non-combustible gases	
Pressure calibration sensitivity	kPa	0.1
	kgf/cm <sup>2</sup>	0.001
	bar	0.001
	psi	0.01
	InHg	0.1
Supply voltage	From 12 to 24 VDC	
Current consumption	≤40mA (without load)	
	PNP N.O. 2 outputs Maximum load current: 125mA Maximum supply voltage: 24VDC Voltage drop: ≤1.5V	
Digital output	± 0.2% Full Scale ± 1 digit	
Repeatability (Digital output)	Settable from 0.001 to 0.008 bar	
Digital output	Type of hysteresis Hysteresis	
Response time	≤2,5 ms (anti-interference function: 25ms, 100ms, 250ms, 500ms, 1000ms and 1500ms selectable)	
Protection from short circuit at output	Present	
Display	Display with 3 1/2 digits (red/Green)	
Indicator precision	±2% F. S. ±1 digit	
Indicator	LED Orange (output1) LED Orange (output2) Output current: 4÷20mA ±2.5% F. S. Linearity: ±1% F. S.	
Analog output	Maximum load resistance: 250Ω supply at 12V and 600Ω supply at 24V Minimum load resistance: 50Ω	
	IP65	
Ingress protection rating	Protection class	
	Ambient temperature	Operational: 0 - 50°C, Storage: -10 - 60°C (without ice or condensation)
	Ambient humidity	Operation/Storage: 35 - 85% (without condensation)
	Supported voltage	1000VAC in 1min. (between body and cable)
	Insulation resistance	50MΩ (at 500VDC, between body and cable)
Temperature characteristics	Vibration	Total amplitude 1.5mm or 10G, 10Hz-55Hz-10Hz scanning for 1 minute, 2 hours in each direction of X, Y and Z
	Impacts/shocks	100m/s <sup>2</sup> (10G), 3 times in each direction of X, Y and Z
Type of connection	±2.5% Full Scale in a range between 0 - 50°C	
Electrical cable	G1/8" (BSPP), M5 female	
Weight	Oil resistant cable (internal 0.15mm <sup>2</sup> ) Approximately 86 gr. (with 2 metres of cable)	

Output circuit wiring scheme

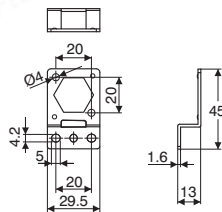


Accessories

Fastening bracket



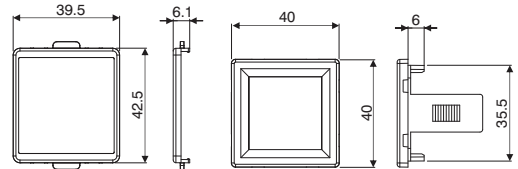
Ordering code  
**DS.BT10**



Panel mount adapter



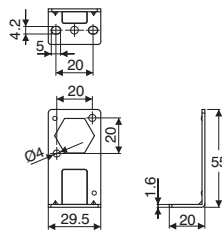
Ordering code  
**DS.PAE**



Fastening bracket



Ordering code  
**DS.BT11**



Panel mount adapter with screen protection



Ordering code  
**DS.PAF**

