

2way angle seat valve pneumatically operated

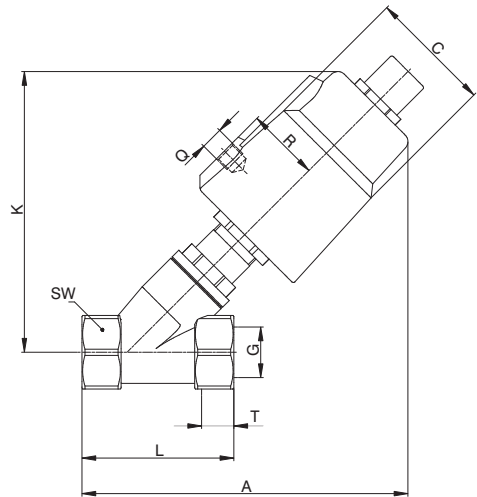


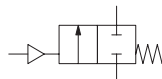
Table of dimensions

CODE AISI316	CODE AISI304	Connection G	Actuator (mm)	C (mm)	R (mm)	K (mm)	Q (mm)	T (mm)	A (mm)	L (mm)	SW (mm)
PVF40115-316	PVF40115-304	1/2"	40	50,5	27	111	1/8"	15	119	68	27
PVF50115-316	PVF50115-304	1/2"	50	60	33	124	1/8"	15	131	68	27
PVF50120-316	PVF50120-304	3/4"	50	60	33	128	1/8"	16	136	75	32
PVF50125-316	PVF50125-304	1"	50	60	33	136	1/8"	17	145	90	40
PVF63125-316	PVF63125-304	1"	63	75	41	162	1/8"	17	169	90	40
PVF63132-316	PVF63132-304	1 -1/4"	63	75	41	174	1/8"	21	187	116	50
PVF63140-316	PVF63140-304	1 -1/2"	63	75	41	175	1/8"	21	187	116	56
PVF63150-316	PVF63150-304	2"	63	75	41	183	1/8"	22	201	138	69
PVF125AL165-316	PVF125AL165-304	2-1/2"	125-Aluminium	148	74	302	1/4"	26	320	178	85
PVF125AL180-316	PVF125AL180-304	3"	125-Aluminium	148	74	313	1/4"	27	372	210	100

Technicals data

CODE AISI316	CODE AISI304	Connection G	KV m/h	Actuator (mm)	Maximum ΔP (bar)		Piloting pressure (bar)	Weight (g.)
					Above seat	Under seat		
PVF40115-316	PVF40115-304	1/2"	4,8	40	16	13	3 ÷ 8	765
PVF50115-316	PVF50115-304	1/2"	4,8	50	16	14		952
PVF50120-316	PVF50120-304	3/4"	10	50	16	14		1062
PVF50125-316	PVF50125-304	1"	14	50	16	8		1371
PVF63125-316	PVF63125-304	1"	14	63	16	13		2006
PVF63132-316	PVF63132-304	1 -1/4"	23	63	16	8		2575
PVF63140-316	PVF63140-304	1 -1/2"	30	63	16	5		2714
PVF63150-316	PVF63150-304	2"	70	63	9	3		3634
PVF125AL165-316	PVF125AL165-304	2-1/2"	107	125-Aluminium	16	9		9713
PVF125AL180-316	PVF125AL180-304	3"	157	125-Aluminium	16	5		13003

Pneumatic symbol



Operational characteristic

- High flow rate thanks to Body configuration with inclined seating.
- Anti water hammer functioning with input below shutter.
- Pneumatically operated valve with stainless steel Body, resistant to ambient corrosion.
- Self-levelling shutter to ensure improved sealing.
- Optical position indicator.
- May be used with back pressure for gaseous fluids.
- Self-adjusting maintenance free stuffer gasket package.
- Valves may be mounted in all positions.
- **OPTIONS:**
- Connection type: GAS ISO / NPT

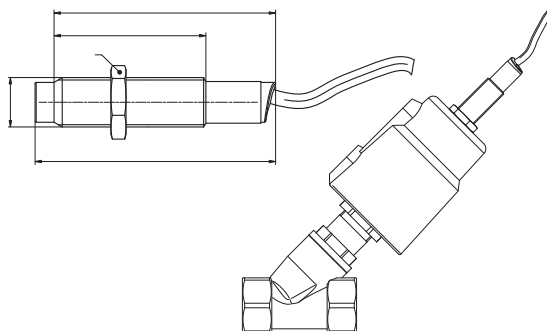
Valve Body technical characteristics

- Fluid temperature: -10°C ÷ + 180°C
- Temperature: -10°C ÷ + 80°C
- Fluid viscosity: max. 600cSt.
- Shutter: PTFE.
- Gasket packet with PTFE, FKM stuffer

Actuator technical characteristics

- Body AISI 304
- Pilot fluid dry or lubricated Air, gas and neutral fluids.
- Temperature fluid max. + 60°C.

Proximity Sensor



Ordering code

PVF.1.S

- OUTPUT TYPE
- 01 = NPN (N.C.)
 - 02 = NPN (N.O.)
 - 03 = PNP (N.C.)
 - 04 = PNP (N.O.)

Nickel brass sensor, usable on valves up to size 2 inches for detection ON - OFF
Cable: 2m

Operational characteristic

Maximum current	Voltage field	Temperature (°C)	Detection Distance	Protection grade	Weight (g)
100 mA	10 ÷ 30V DC	-10°C ÷ +70°C	3mm (max) ± 10 %	IP67	68