

GENERAL

Alsonic Building Automation - Energy meters employ transit-time ultrasonic flow measuring technology combined with two integrated PT1000 RTD temperature sensors for calculating both total and instantaneous energy consumption. These in-line style flow sensors are available for line sizes ranging from ½" to 12". The Alsonic BA Energy meter may be used to provide highly accurate thermal energy measurement in chilled water, hot water and condenser water systems. Our microprocessor based, field programmable electronics provide local indication of energy, flow and temperature data via an alphanumeric LCD display. An isolated solid state dry contact is provided for indication of pre-programmed totals or alarm conditions. Optional analog outputs and network communications are also available.



FEATURES

- ❑ Measures energy consumption rate and total
- ❑ Local or remote wall-mount display types available
- ❑ Proven ultrasonic technology for flow measurement; PT 1000 RTDs for temperature measurement
- ❑ Convenient spool piece mounting for sizes up to 300mm, optional clamp on type for larger sizes
- ❑ Wide range flow rates; 0.025 to 1000 m³/h
- ❑ PT1000 -DIN/IEC751B temperature sensors
- ❑ Data storage - includes time & date, flow, energy flow with totalization
- ❑ Response time of less than 1 second
- ❑ NIST traceable calibration certificate
- ❑ Built-in diagnostics



SPECIFICATIONS

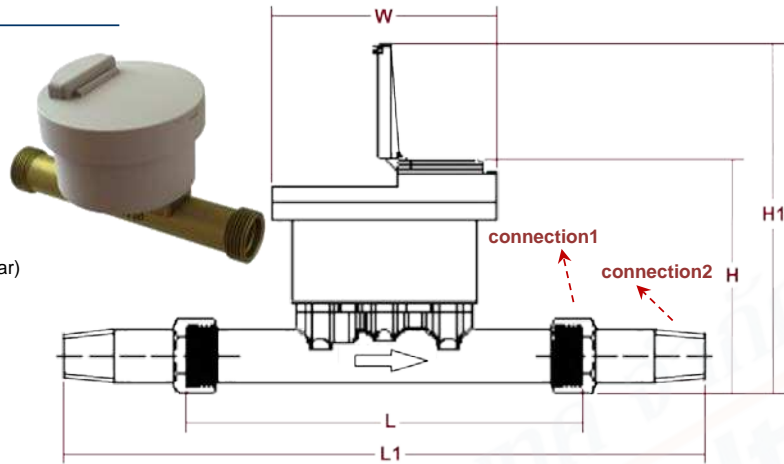
- | | |
|--|--|
| ● Flow measurement : Transit time ultrasonic method | ● Display : LCD (9 digits + prompting character)
energy rate, total consumption,
flow rate, total flow
temperature,
time, date |
| ● Transducer type : Spool piece | |
| ● Temperature measure : Pt1000 -DIN/IEC751B | |
| ● Pipe Size : ½ ~ 12" (15~300mm)** | |
| ● Flow Body Material : Brass or cast iron | |
| ● Enclosure Material : ABS or Polycarbonate | ● Power Supply : 3.6V/2.4Ah Li battery (for 5 years of operation) |
| ● Resolution -Flow : 0.001m ³ /h | ● Data Storage : EEPROM, 256 byte
total flow, total energy flow, SN,
product date, monthly flow report |
| ● Resolution -Temp. : ±0.01 °C (0.02°F) | |
| ● Liquid temperature : | ● Signal inputs : Two RTD |
| ● Accuracy : ±2% of range | |
| ● Repeatability : ±1% of reading | |
| ● Digital communication : Std - M bus
Opt: wireless, Modbus, 4-20mA
GPRS (contact the factory) | ● Response Time : < 1 second |
| ● Ambient Temperature : -25~+55 °C | ● Enclosure : NEMA 4X (IP65), NEMA 4 (IP54) |
| | ● Sensor : IP67 |

**Note: for larger line sizes please see Alsonic-EG catalog

➤ Dimensions

• Brass body

- Line size: ½~1½" (DN15~DN40)
- Accuracy: 2% FS
- Power supply: 3.6V_{DC} battery
- Connection: threaded
- Temperature: up to 80 °C
- Pressure: up to 10 bar (opt 16 bar)
- Output: std - none
opt - pulse, 4-20mA
- Communication: std - M bus
opt - RS485, Modbus,
wireless,GPRS
- Option: with valve

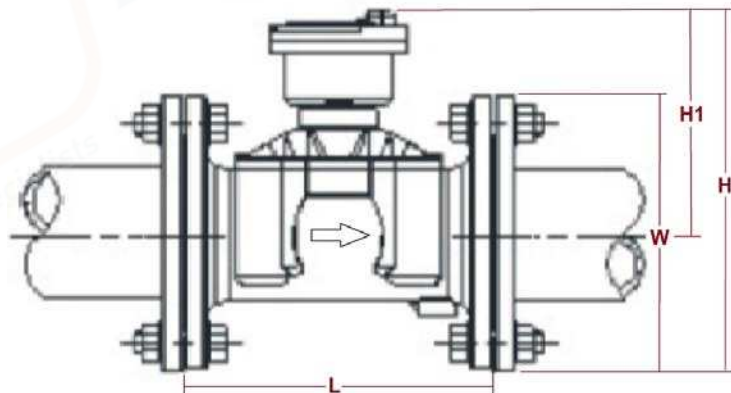


Line size	Flow range (m ³ /hr)	L (mm)	L1 (mm)	H (mm)	H1 (mm)	W (mm)	Connection1	Connection2
½" (DN15)	0.025~2.5	165	261	102	167	110	G ¾"	R ½"
¾" (DN20)	0.04~4	195	301	107	172	110	G 1"	R ¾"
1" (DN25)	0.063~6.3	225/260	247/382	112	177	110	G 1 ¼"	R 1"
1¼" (DN32)	0.1~10	260	386	121	186	110	G 1 ½"	R 1 ¼"
1½" (DN40)	0.16~16	300	431	132	197	110	G 2"	R 1 ½"

• Cast iron body



- Line size: 2"~12" (DN50~DN300)
- Accuracy: 2% FS
- Power supply: 3.6V_{DC} battery
- Connection: flange
- Temperature: up to 80 deg C
- Pressure: up to 10 bar (opt 16 bar)

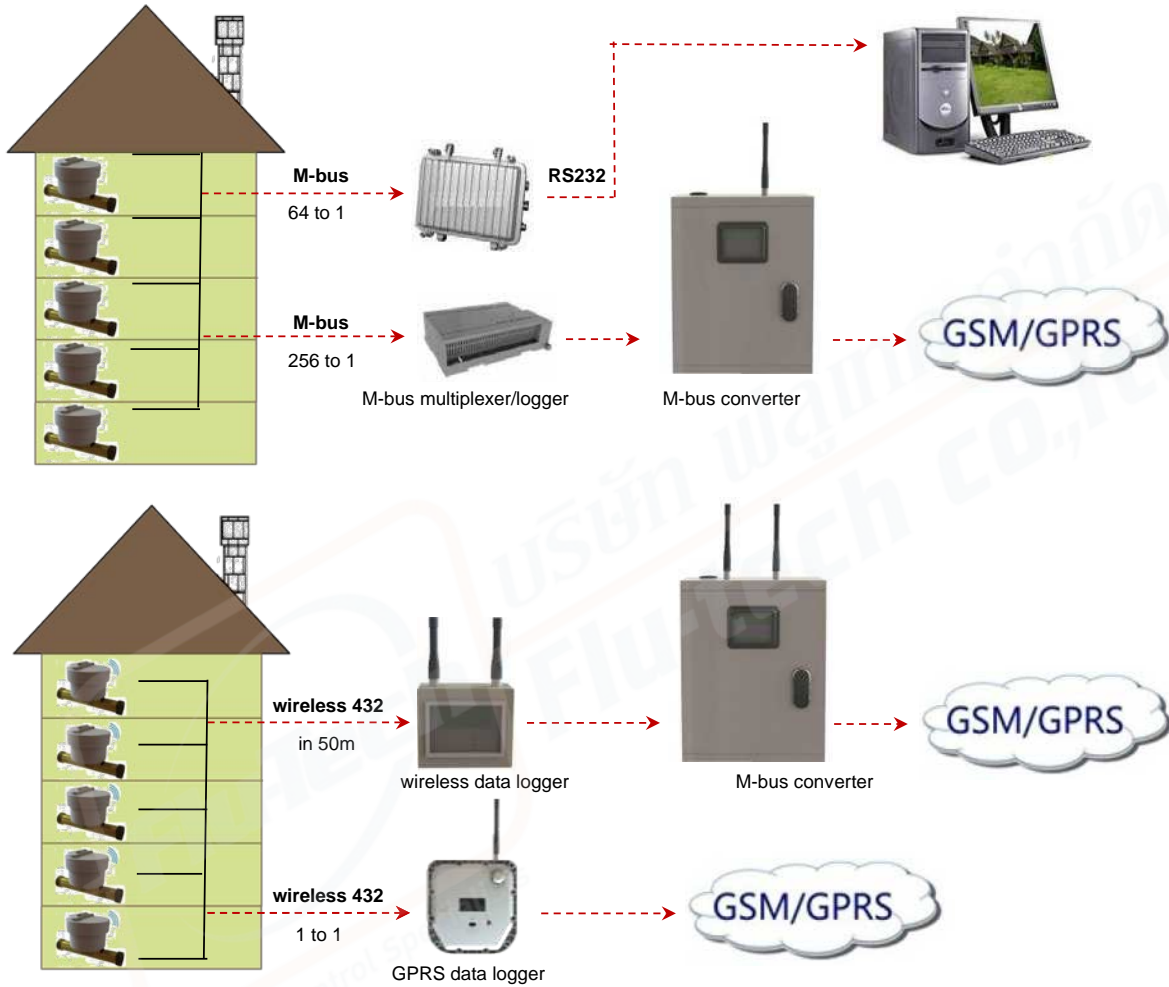


- Output: std - none
opt - pulse, 4-20mA
- Communication: std - M bus
opt - RS485, Modbus, wireless,GPRS
- Option: with valve

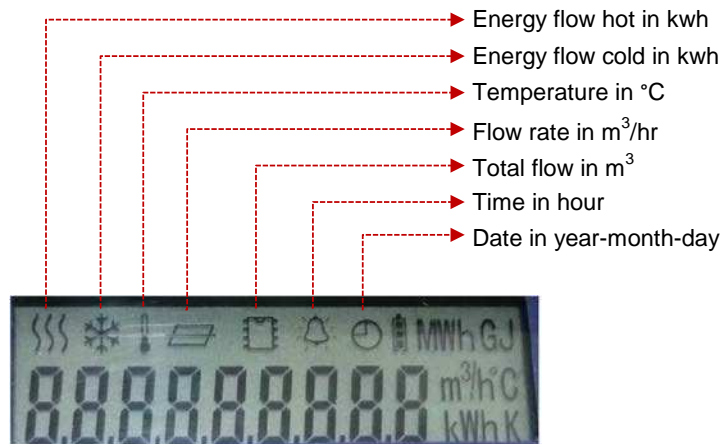
Line size	Flow range (m ³ /hr)	L (mm)	H (mm)	H1 (mm)	W (mm)	Connection	Measure path
2" (DN50)	0.16~25	200	235	150	165	ANSI 150#	2 Channels
2½" (DN65)	0.25~40	200	248	158	185	ANSI 150#	4 Channels
3" (DN80)	0.4~63	225	264	175	200	ANSI 150#	4 Channels
4" (DN100)	0.63~100	250	287	181	220	ANSI 150#	4 Channels
5" (DN125)	1~160	250	320	199	250	ANSI 150#	4 Channels
6" (DN150)	1.6~250	300	355	217	285	ANSI 150#	4 Channels
8" (DN200)	2.5~400	350	410	246	340	ANSI 150#	4 Channels
10" (DN250)	4~630	450	452	272	405	ANSI 150#	4 Channels
12" (DN300)	6.3~1000	500	550	320	460	ANSI 150#	4 Channels



OUTPUT & COMMUNICATION



Display



** Please note SAE English units available upon request

Type of Fluid	Please provide water temperature and pressure
Line Size	Nominal pipe size and sensor connection type
Process Pressure and Temperature	We will calibrate your flowmeter as close to your operating conditions as possible
Type of Electronics	Output and communication
Flow range	Please provide the flow range

Model Selection Guide

Alsonic-BAEG										
Example 1: Alsonic-BA EG-ST-C100-NN-NN-NC-CT										
Alsonic-BAEG-	**	**	**	**	**	**	**	**		Description
Standard type	ST									Flow Meter
Brass ½" (DN15)		S15								Transducers
Brass ¾" (DN20)		S20								
Brass 1" (DN25)		S25								
Brass 1¼" (DN32)		S32								
Brass 1½" (DN40)		S40								
Cast iron 2"~12" (DN50~DN300)		C**								
Special type		SP								
Standard temperature: +2~+50 °C			NN							Temperature
High temperature: +2~+80 °C			HT							
Standard pressure: up to 1.6Mpa				NN						Pressure
High pressure: up to 2.5Mpa				HP						
Standard - 1m x 2 signal cables, 1m x 2 RTD cables					NC					Cable Length
(**)m x 2 signal cables, (**)m x 2 RTD cables					**					
M-Bus						MB				Output
RS485						485				
Wireless						WL				
Infrared data communication						IR				
Pulse output (total flow and total energy flow)							PT			Options
M-bus to GPRS: collector(256 to 1) + data logger							MG			
Wireless to GPRS: data collector(50 m) + data logger							WG			
M-Bus to RS232 transmitter (64 to 1)							MB			
Wireless to GPRS: data collector (1 to 1)							GP			
With pre-set control valve							VL			
Other options							OP			