

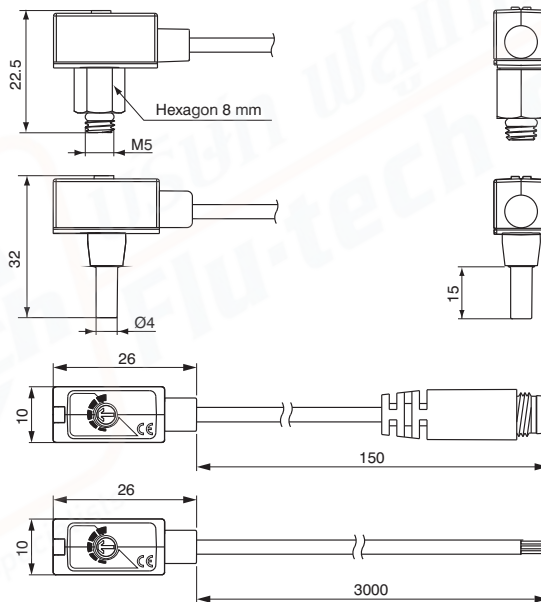
ACCESSORIES AND INSTRUMENTS

Vacuum switch, vacuum gauge, silencers and filters



Series 1900

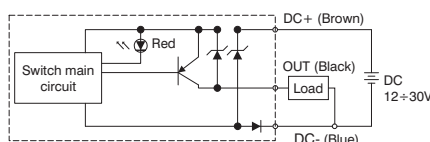
Mini digital vacuum switch



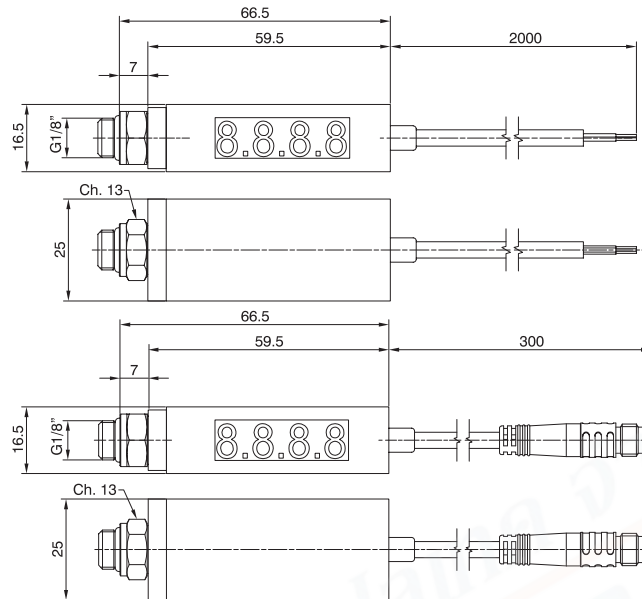
Ordering code	
DS.10.V.B.Ⓞ.Ⓞ.Ⓞ	
CONNECTION	
Ⓞ	F4= Male M5 R4= Plug-in connection Ø4
CABLE LENGTH	
Ⓛ	A= 150 mm * E= 3000 mm **
OPTIONS	
Ⓞ	0= Without connector 1= With connector M8 male 3 Pin
* only with M8 connector ** only without connector	

Technical features		
Working pressure range		0 ... -100.0kPa
Regulation pressure range		0 ... -100.0kPa
Maximum supported pressure		600 kPa
Allowed fluids		Air, non-corrosive gases, non-combustible gases
Supply voltage		From 12 to 30 VDC ±10%
Current consumption		≤ 10mA
Digital output		PNP N.O. 1 outputs Maximum load current: 80mA Maximum supply voltage: 30VDC Voltage drop: ≤0.8V
Repeatability (Digital output)		± 1% Full Scale
Digital output	Type of hysteresis	Fixed
	Hysteresis	3% Full Scale max.
Response time		1ms
Protection from short circuit at output		Present
Method of setting threshold		Adjustable, trimmer
Indicator		LED red (output)
Ingress protection rating	IP Rating	IP40
	Ambient temperature	Operational: 0 ... 60°C, Storage: -20 ... 70°C (without ice or condensation)
	Ambient humidity	Operational/Storage: 35 ... 85% (without condensation)
	Vibration	Total amplitude 1.5mm, 10Hz-55Hz-10Hz scanning for 1 minute, 2 hours in each direction of X, Y and Z
	Impacts/shocks	980m/s ² (100G), 3 times in each direction of X, Y and Z
Temperature characteristics		±2% Full Scale in a range between 0 ... 50°C
Type of connection		Male M5x0.8, Plug-in connection Ø4
Electrical cable		Oilproof cable, 3 wires (0.18mm ²), Ø2.6mm
Weight		Approximately 50 gr. (with 3 metres of cable)

Output circuit wiring scheme



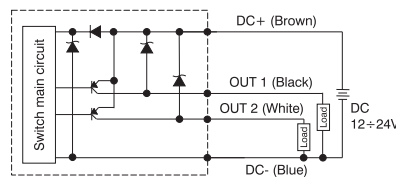
Digital vacuum switch



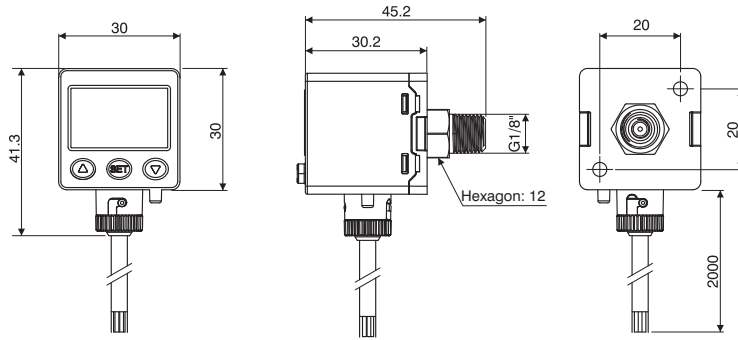
Ordering code	DS.30.C.C.F8.L.⓪
CABLE LENGTH	
⓪	B=300 mm *
	D=2000 mm **
OPTIONS	
⓪	0= Without connector
⓪	2= With M8 4 Pin male connector
* only with M8 connector	
** only without connector	

Technical features		
Working pressure range		-100.0 ... 100.0kPa
Regulation pressure range		-100.0 ... 100.0kPa
Maximum supported pressure		300 kPa
Allowed fluids		Air, non-corrosive gases, non-combustible gases
Pressure calibration sensitivity	kPa	0.1
	2 kgf/cm ²	0.001
	bar	0.001
	psi	0.01
	InHg	0.1
	mmHg	1
	mmH ₂ O	0.1
Supply voltage		From 12 to 24 VDC ± 10%
Current consumption		≤ 60mA
Digital output		PNP N.O. 2 outputs Maximum load current: 80mA Maximum supply voltage: 30VDC Voltage drop: ≤ 1V
Repeatability (Digital output)		± 0.2% Full Scale ± 1 digit
Digital output	Type of hysteresis	Fixed
	Hysteresis	0.003 bar
Response time		≤ 2,5 ms (anti-interference function: 24ms, 192ms and 768 ms selectable)
Protection from short circuit at output		Present
Display		Display with 3 1/2 digits (sampling 5 times per sec.)
Indicator precision		± 2% F. S. ± 1 digit (at ambient temperature of 25°C ± 3°C)
Indicator		LED green (output1) LED red (output2)
Ingress protection rating	IP Rating	IP40
	Ambient temperature	Operational: 0 ... 50°C, Storage: -20 ... 60°C (without ice or condensation)
	Ambient humidity	Operational/Storage: 35 ... 85% (without condensation)
	Supported voltage	1000VAC in 1-min. (between body and cable)
	Insulation resistance	50MΩ min. (at 500VDC, between body and cable)
	Vibration	Total amplitude 1.5mm. or 10G, 10Hz-55Hz-10Hz scanning for 1 minute, 2 hours in each direction of X, Y and Z
Impacts/shocks	980m/s ² (100G), 3 times in each direction of X, Y and Z	
Temperature characteristics		± 2% Full Scale in a range between 0 ... 50°C
Type of connection		G1/8" (Swivel)
Electrical cable		Oil resistant cable
Weight		Approximately 67 gr. (with 2 metres of cable)

Output circuit wiring scheme



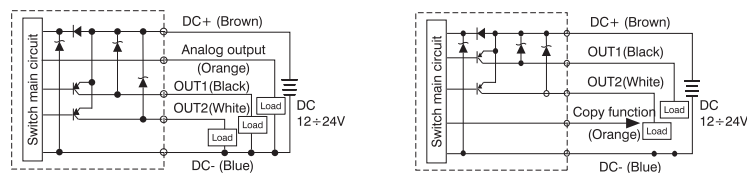
Panel-mounted digital vacuum switch



Ordering code	
DS.45.V.U.F3.D.0	
VERSION	
V	C = Vacuum/Pressure (-100 / 100 kPa)
V	V = Vacuum (0 / -101,3 kPa)
OUTPUTS	
E	= 2 PNP outputs + Analog output (4 / 20 mA)
U	= 2 PNP outputs + copy function

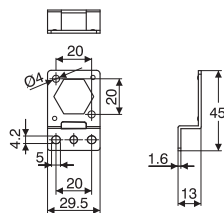
Technical features		DS.45.C.B.C.F3.D.0 (Composite)	DS.45.V.B.E.F3.D.0 (Vacuum)
Working pressure range		-100.0 ... 100.0kPa	0 ... -100.0kPa
Regulation pressure range		-100.0 ... 100.0kPa	0 ... -100.0kPa
Maximum supported pressure		300 kPa	
Allowed fluids		Air, non-corrosive gases, non-combustible gases	
Pressure calibration sensitivity	kPa	0.1	
	2 kgf/cm ²	0.001	
	bar	0.001	
	psi	0.01	
	InHg	0.1	
Supply voltage		From 12 to 24 VDC	
Current consumption		≤40mA (without load)	
Digital output		PNP N.O. 2 outputs Maximum load current: 125mA Maximum supply voltage: 24VDC Voltage drop: ≤1.5V	
Repeatability (Digital output)		± 0.2% Full Scale ± 1 digit	
Digital output	Type of hysteresis	Settable	
	Hysteresis	from 0.001 to 0.008 bar	
Response time		≤2,5 ms (anti-interference function: 25ms, 100ms, 250ms, 500ms, 1000ms and 1500ms selectable)	
Protection from short circuit at output		Present	
Display		Display with 3 1/2 digits (red/green)	
Indicator precision		±2% F. S. ± 1 digit	
Indicator		LED orange (output1) LED orange (output2)	
Analog output		Output current: 4 ... 20mA ±2.5% F. S. Linearity: ±1% F. S. Maximum load resistance: 250Ω supply at 12V and 600Ω supply at 24V Minimum load resistance: 50Ω	
Ingress protection rating	IP Rating	IP65	
	Ambient temperature	Operational: 0 ... 50°C, Storage: -10 ... 60°C (without ice or condensation)	
	Ambient humidity	Operation/Storage: 35 ... 85% (without condensation)	
	Supported voltage	1000VAC in 1min. (between body and cable)	
	Insulation resistance	50MΩ (at 500VDC, between body and cable)	
Vibration		Total amplitude 1.5mm or 10G, 10Hz-55Hz-10Hz scanning for 1 minute, 2 hours in each direction of X, Y and Z	
Impacts/shocks		100m/s ² (10G), 3 times in each direction of X, Y and Z	
Temperature characteristics		±2.5% Full Scale in a range between 0 ... 50°C	
Type of connection		G1/8" (BSPP), M5 female	
Electrical cable		Oil resistant cable (internal 0.15mm ²)	
Weight		Approximately 86 gr. (with 2 metres of cable)	

Output circuit wiring scheme



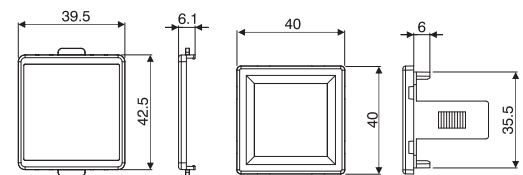
ACCESSORIES

Fastening bracket



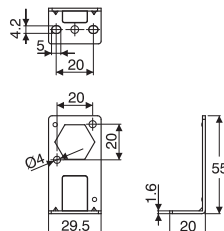
Ordering code
DS.BT10

Panel mount adapter



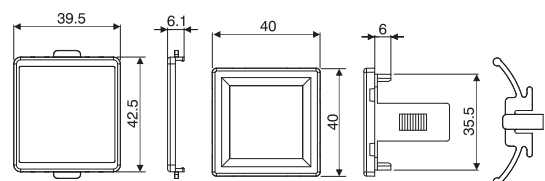
Ordering code
DS.PAE

Fastening bracket



Ordering code
DS.BT11

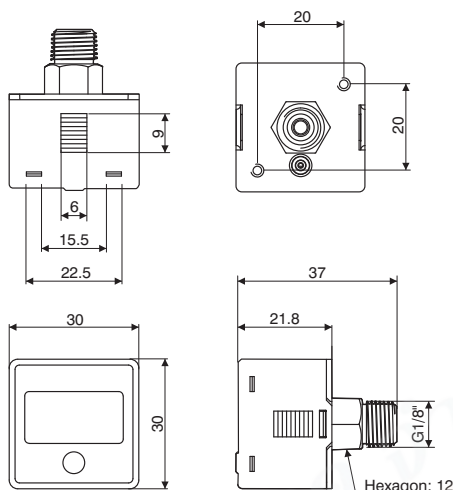
Panel mount adapter with screen protection



Ordering code
DS.PAF



Digital battery vacuum gauge



Ordering code

DS.60.V.I.F1.F.0

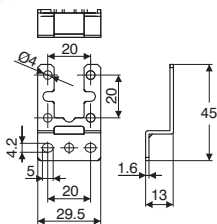
Caratteristiche tecniche

Working pressure range		0 ... -100.0kPa
Regulation pressure range		0 ... -100.0kPa
Maximum supported pressure		300 kPa
Allowed fluids		Air, non-corrosive gases, non-combustible gases
Pressure calibration sensitivity	kPa	0.1
	bar	0.01
	psi	0.1
	mmHg	1
Battery		CR 2032 lithium
Backlight		Not present
Battery life		3 years (5 powerups a day)
Indication of battery level		Present
Battery replaceable		Yes
Display powerup time		Goes off after 60 seconds
Sampling frequency		2 Hz (2 times per second)
Repeatability		±1% F. S. ±1 digit
Display		Display with 3 1/2 digits
Indicator precision		±2% F.S. ±1 digit (at ambient temperature of 25°C ±3°C)
Ingress protection rating	IP Rating	IP65 (only with connected air tube)
	Ambient temperature	Operational: 0 ... 50°C, Storage: -10 ... 60°C (without ice or condensation)
	Ambient humidity	Operational/Storage 35 ... 85% (without condensation)
	Vibration	Total amplitude 1.5mm or 10G, 10Hz-55Hz-10Hz scanning for 1 minute, 2 hours in each direction of X, Y and Z
Impacts/shocks	100m/s² (10G), 3 times in each direction of X, Y and Z	
Temperature characteristics		±2% Full Scale in a range between 0 ... 50°C
Type of connection		R1/8", M5 female
Weight		Approximately 40 gr.

Fastening bracket



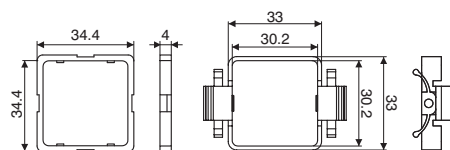
Ordering code
DS.BT5



Panel mount adapter



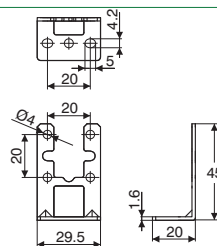
Ordering code
DS.PAC



Fastening bracket



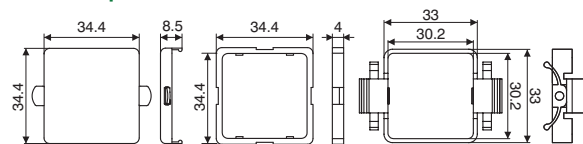
Ordering code
DS.BT6



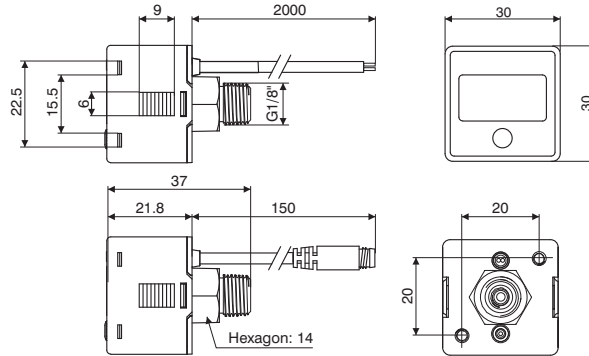
Panel mount adapter with screen protection



Ordering code
DS.PAD



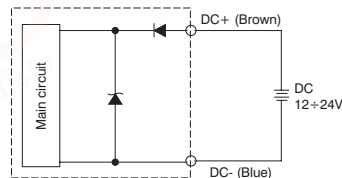
Digital vacuum gauge



Ordering code	
DS.61.V.I.F1.Ⓛ.Ⓞ	
CABLE LENGTH	
Ⓛ	A=150 mm *
	D=2000 mm **
OPTIONS	
Ⓞ	0= Without connector
	2= With M8 4 Pin male connector
* only with M8 connector	
** only without connector	

Technical features		
Working pressure range		0 ... -100.0kPa
Regulation pressure range		0 ... -100.0kPa
Maximum supported pressure		300 kPa
Allowed fluids		Air, non-corrosive gases, non-combustible gases
Pressure calibration sensitivity	kPa	1
	2 kgf/cm ²	0.01
	bar	0.01
	psi	0.1
Supply voltage		From 12 to 24 VDC ± 10%
Current consumption		10mA
Repeatability		±1% Full Scale ±1 digit
Display		Display with 3 1/2 digits (sampling 5 times per sec.)
Indicator precision		±2% F. S. ±1 digit (at ambient temperature of 25°C ±3°C)
Ingress protection rating	IP Rating	IP65 (only with connected air tube)
	Ambient temperature	Operational: 0 ... 50°C, Storage: -10 ... 60°C (without ice or condensation)
	Ambient humidity	Operation/Storage: 35 ... 85% (without condensation)
	Supported voltage	1000VAC in 1 min. (between body and cable)
	Insulation resistance	50MΩ (at 500VDC, between body and cable)
	Vibration	Total amplitude 1.5mm or 10G, 10Hz-55Hz-10Hz scanning for 1 minute, 2 hours in each direction of X, Y and Z
Temperature characteristics		±2% Full Scale in a range between 0 ... 50°C
Type of connection		R1/8", M5 female
Electrical cable		Oil resistant cable (internal 0.15mm ²)
Weight		Approximately 60 gr. (with 2 metres of cable) and approximately 40 gr. (with M8 4 pin male connector)

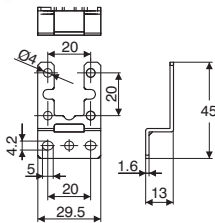
Output circuit wiring scheme



Fastening bracket



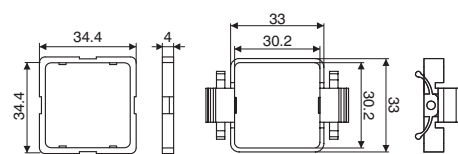
Ordering code
DS.BT5



Panel mount adapter



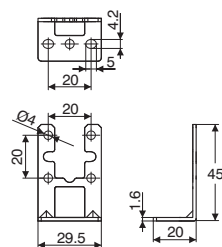
Ordering code
DS.PAC



Fastening bracket



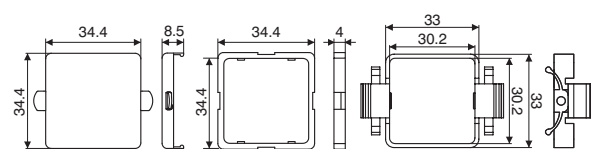
Ordering code
DS.BT6



Panel mount adapter with screen protection



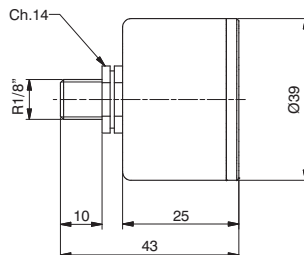
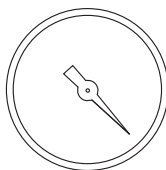
Ordering code
DS.PAD





Series 1900

Vacuum Gauge



Ordering code

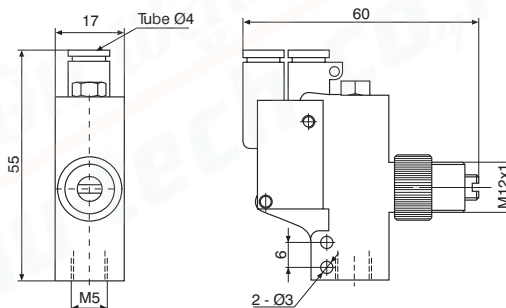
17070A.V



Technical features

Fluid	Unlubricated filtered air
Scale (-kPa)	0 ... 100
Temperature (°C)	-10 ... 80
Weight (gr.)	56

Pneumatic vacuum switch

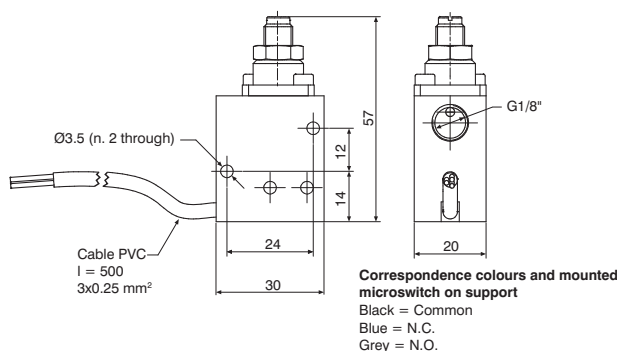


Vacuum switch whose function is, depending on the model, to turn a pneumatic signal on or off when a certain vacuum level is reached. The pressure differential that exists between the maximum value set and the restoration value cannot be adjusted. Especially recommended for the control of vacuum generators with a view to save energy.

Code	19TR4.C	19TR4.A
Type of contact	N.C. (Normally closed)	N.O. (Normally open)
Pressure (bar)	1.5 ~ 8	
Actuation threshold can be set (-kPa)	15 ~ 95	10 ~ 95
Hysteresis (kPa)	12	3
Temperature (°C)	-10 ~ +60°C	
Weight (gr.)	44	
Connections for vacuum	M5	

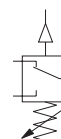
Function	Settable
N.C. (Normally closed)	
N.O. (Normally open)	

Electromechanical vacuum switch



Ordering code

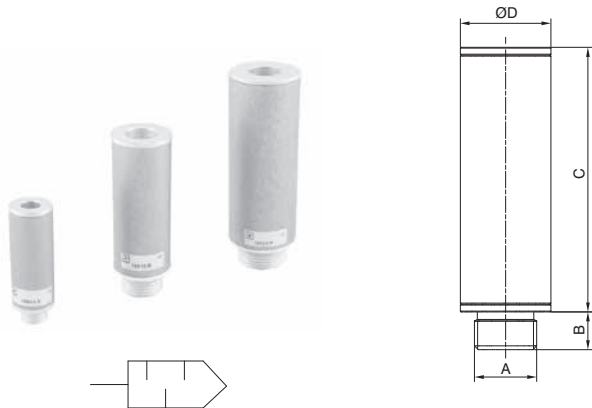
19VCE.0.C1



Vacuum switch whose function is to turn an electrical signal on or off when a certain vacuum level is reached. The pressure differential that exists between the maximum value set and the restoration value cannot be adjusted. Recommended for all cases where it is necessary to obtain an electrical signal once a certain level of vacuum is reached to start a work cycle, for control of the already attained grip by the suction cups or for reasons of safety, etc.

Technical features	
Fluid	Vacuum
Flow rate	2A - 250 VAC
Regulation (-kPa)	20 ... 90
Temperature (°C)	-5 ... 70
IP Rating	IP67
Weight (gr.)	62,5

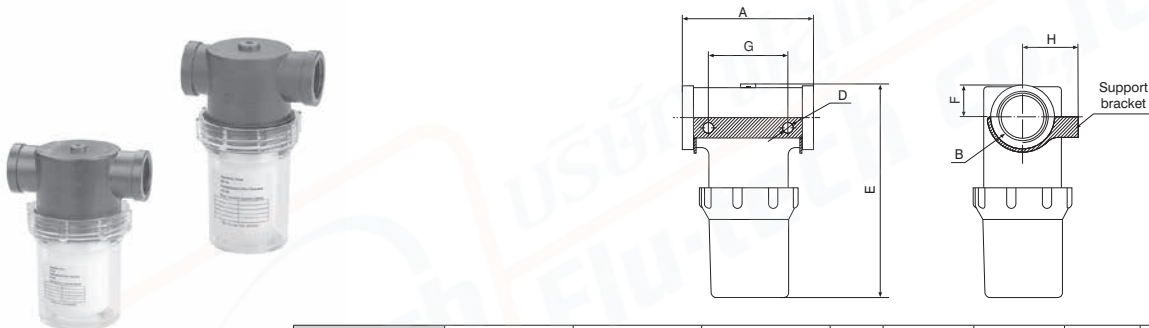
High efficiency silencers



Code	Description	A	B	C	ØD	Weight (gr.)
19S18.S	Silencer G1/8"	G1/8"	6	30	16	10
19S14.S	Silencer G1/4"	G1/4"	8	50	20	21
19S38.S	Silencer G3/8"	G3/8"	10	70	24	35
19S12.R	Silencer G1/2" reduced	G1/2"	12	70	29	46
19S12.S	Silencer G1/2"	G1/2"	12	90	35	83
19S34.R	Silencer G3/4" reduced	G3/4"	12	90	35	86
19S34.S	Silencer G3/4"	G3/4"	12	110	50	144
19S10.R	Silencer G1" reduced	G1"	14	110	50	144

The use of sound-absorbing material enclosed in appropriate aluminium containers made it possible to create this range of silencers which significantly lower air noise in the vacuum generator discharge stage.
Noise reduction: from -13 to -20 dBA
Working temperature: from -20 to +100 °C

Vertical filters



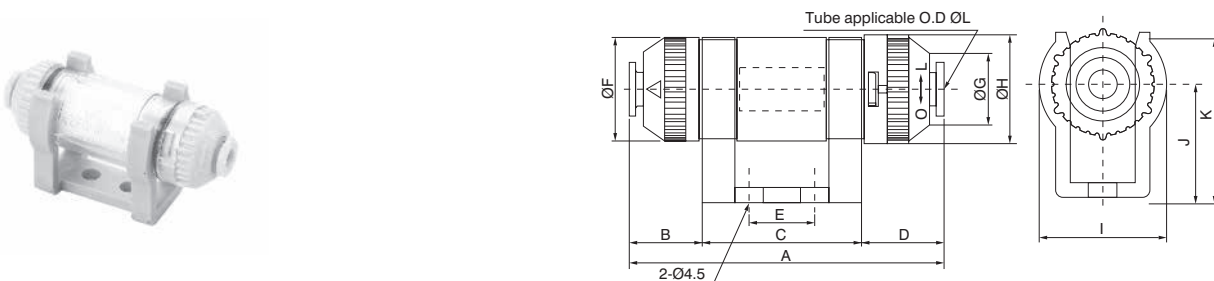
Code	Description	Flow rate (l/min)	Volume (cm ³)	A	B	D	E	F	G	Weight (gr.)
19F38.V.00	Filter G3/8"	150	45	76	2-G3/8"	2-Ø6.5	71.3	14	45	70
19F12.V.00	Filter G1/2"	900	195	91	2-G1/2"	2-Ø8.5	131.5	16	50	168
19F34.V.00	Filter G3/4"	900	205	91	2-G3/4"	2-Ø8.5	139	18.5	50	170
19F10.V.00	Filter G1"	2520	495	126	2-G1"	2-Ø10.5	167	23	80	424

Filter elements

Code	Description
RK1900/0022	Filter element for 19F12.V.00 and 19F34.V.00
RK1900/0023	Filter element for 19F10.V.00
RK1900/0024	Filter G3/4"

Preventing contaminants from reaching the vacuum generator is critical for maintaining its proper operation. Filters of this series have this function, manufactured in a simple way, have threaded connections for installation and a bowl that can be easily taken off to allow fast cleaning of the internal filter cartridge.
The various models of filter cover a flow rate range running from 150 to 2520 l/m, degree of filtration: 10 micron, working temperature: -20 / 80 °C, working pressure: -100 / 0 kPa.

Line filters



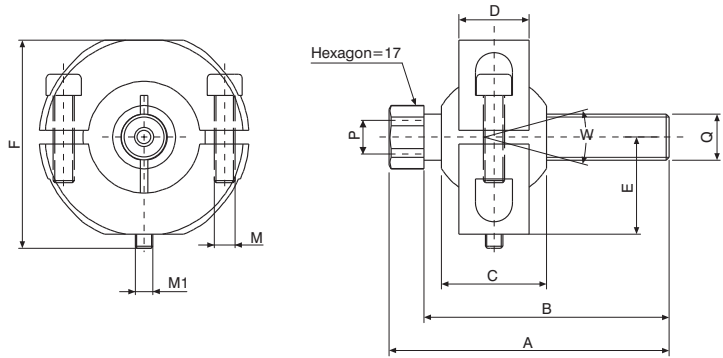
Code	Description	A	B	C	D	E	ØF	ØG	ØH	I	J	K	ØL	Weight (gr.)
19F04.L.01	Tube Ø4 - 20 l/min	53,2	9,1	30	14,1	10	18	11,6	19,5	23	20	29	4	14
19F06.L.01	Tube Ø6 - 20 l/min	53,2	9,1	30	14,1	10	18	11,6	19,5	23	20	29	6	13
19F06.L.02	Tube Ø6 - 50 l/min	67	15,5	34	17,5	14	22	15,6	23,1	27	24	35	6	26
19F08.L.02	Tube Ø8 - 50 l/min	67	15,5	34	17,5	14	22	15,6	23,1	27	24	35	8	24

Filter elements

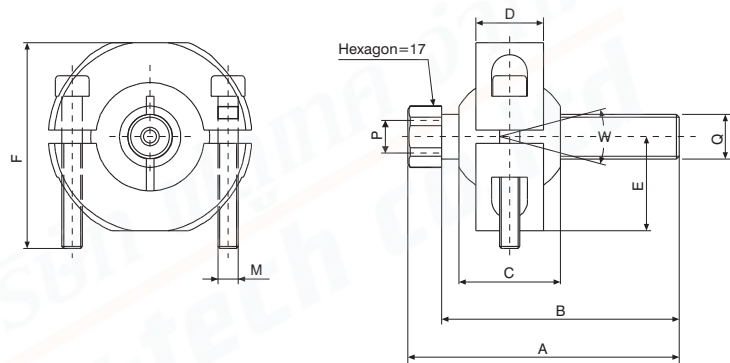
Code	Description
RK1900/0020	Filter element for 19F04.L.01 and 19F06.L.01
RK1900/0021	Filter element for 19F06.L.02 and 19F08.L.02

Line filters can handle very fine powders and contaminants without interfering with the intake flow rate. Thanks to the small dimensions they can be installed directly on the suction cups or on the vacuum pipework, and since they have automatic connections, wiring operations are facilitated.
Degree of filtration: 10 micron, working temperature: 0-60 °C, working pressure: -100 / 0 kPa.

► Suction Cup Support



Code	A	B	C	D	E	F	P	Q	M	M1	W	Weight (gr.)
19SP1.T	80	70	55.6	20	27.5	59.5	G1/8"	G1/4"	M6	M5	30°	174



Code	A	B	C	D	E	F	P	Q	M	W	Weight (gr.)
19SP2.T	80	70	55.6	20	27.5	61	G1/8"	G1/4"	M6	30°	180

Support for suction cup with adjustability and fastening via a ball bearing that allows it to be kept in the desired position.



HEADQUARTERS



PNEUMAX

PNEUMAX S.P.A.

Via Cascina Barbellina, 10
24050 Lurano (BG) - Italia
Tel. 035/4192777
Fax 035/4192740 - 035/4192741
info@pneumaxspa.com
www.pneumaxspa.com

WORLDWIDE NETWORK

EUROPE

ALBANIA

Industrial Air Solution shpk
Rruga industriale Tirane Vore, km 11,
1032 Vore Tirane
Tel. +355 69 40 80 349
info@iasolution.al
www.iasolution.al

AUSTRIA AND SWITZERLAND

Managed by Pneumax GmbH (Germany)

BELGIUM

Pneuvano BV
Koralenhoeve 4
2160, Wommelgem
Tel. +32 3 355 32 20
info@pneuvano.com
www.pneuvano.com

BULGARIA

Ulmer DM OOD
Adam Mizkevich Str. 4a, 1360, Sofia
Tel. +359 (2) 9259951
office@ulmer.bg
www.ulmer.bg

CYPRUS

G C V Spare Parts & Services Ltd
Industrial Area, Anatoniko 8086
P.O. Box 62731, Paphos
Tel. +357 26812444
gcv.cy@cytanet.com.cy
www.gcv-parts.com

CROATIA

ProElektronika d.o.o. - Zagabria
Stefanovecka 10, 10040, Zagabria
Tel. +385 (0)1 5588 988
info@proelektronika.hr
www.proelektronika.hr

ESTONIA

Alas-Kuul AS
Loomäe tee 1, Lehmja küla
75306, Rae vald Harjumaa
Tel. +372 6593 218
info@alas-kuul.ee
www.alas-kuul.ee

FRANCE

Pneumax France SAS
Z.I. NORD PARADIES 7
Rue de Waldkirch - BP 42
67601, Selestat CEDEX
Tel. +33 (3) 88580450
commercial@pneumax-france.fr
www.pneumax-france.fr

GERMANY

Pneumax GmbH
Tantalstraße 4
63571, Gelnhausen
Tel. +49 (0) 6051 9777 0
info@pneumax-gmbh.de
www.pneumax.de

GREECE

Hydropneumatic Hellas S.A.
69, Spirou Patsi Str. T.K., 118 55, Atene
Tel. +30 (210) 3474181-2-3
info@mitsis.com.gr
www.mitsis.com.gr

UNITED KINGDOM

Pneumax UK Ltd.
110 Vista Park,
Mauretania Road
SO16 0YS, Nursling
Tel. +44 2380 740412
sales@pneumax.co.uk
www.pneumax.co.uk

ICELAND

Barki E.H.F. Ltd
Nybylavegi 22, 200, Kópavogur
Tel. +354 554 6499
barkiea@islandia.is

LITHUANIA

UAB "Domingos prekyba"
Savanoriu PR 187-4 Korp, 2053, Vilnius
Tel. +370 5 2322231
info@dominga.lt
www.dominga.lt

NORTHERN MACEDONIA

DIL KOM DOOEL
St. Joska Jordanoski No 657500, Prilep
Tel. +389 78244177
export.dilkom@gmail.com
www.dilkom.mk

MALTA

iAutomate Limited
San Bernard, Marsa MRS 1332, Malta
Tel. +356 2786 3996
matthew@iautomate.mt
www.iautomate.mt

NETHERLANDS

Pneu/Tec B.V.
Dirk Storklaan 75, 2132 PX, Hoofddorp
Tel. +31 (0) 235699090
sales@pneutech.nl
www.pneutech.nl

POLAND

Rectus Polska SP. Z.O.O.
Gumna 96, 43-426, Debowiec
Tel. +48 (33) 857 98 00
pneumax@pneumax.pl
www.pneumax.pl

PORTUGAL

Portugal Pneumax Lda
Complexo Industrial da
Granja Fracção H-Casarias
2625-607, Vialonga
Tel. +351 (219) 737390
geral@pneumax.pt
www.pneumax.pt

CZECH REPUBLIC

Pneumax Automation s.r.o.
U Panského mlýna 240/9,
747 06, Opava
Tel. +420 553 760 953
pneumax@pneumaxsro.cz
www.pneumaxsro.cz

ROMANIA

Gica Import Export
Zona Industriala de Vest str. II nr. 5,
310491, Arad
Tel. +40 257 259816
comercial@gica.ro
www.gica.ro

RUSSIA / CIS

Pneumax Ltd. Moscow
Kommunalniy proezd, 30
141400, Khimki
Tel. +7 495 7393999
mail@pneumax.ru
www.pneumax.ru





**DENMARK - FINLAND
NORWAY - SWEDEN
(SCANDINAVIA)**

Pneumax Scandinavia AB
Strandvägen 101, SE-234 31, Lomma
Tel. +46 (40) 617 40 40
info@pneumax.se
www.pneumax.se



SERBIA

Hidraulika DOO
Cirila i Metodija 15, 15000, Šabac
Tel. +381 15 360 090
info@hidraulika.rs
www.hidraulika.rs

SLOVENIA

Hidravlika d.o.o.
Medlog, 16, 3000, Celje
Tel. +386 (3) 5453610
info@hidravlika.si
www.hidravlika.si

SPAIN

Pneumax S.A.
Olaso Kalea, 54, 20870, Elgoibar
Tel. +34 943 744144
pneumax@pneumax.es
www.pneumax.es



Pneumax Catalunya S.A.

C/Riera de Vallvidrera,
Parc. 2N. 1 Pl. Riera del Moli
8750, Molins de Rei
Tel. +34 (93) 680 25 30
pneumax@pneumaxcat.com
www.pneumax.es



TURKEY

Eteknik Otomasyon Tic. Ltd. Sti
Perpa Ticaret Merkezi B Blok Kat:11 No:1636 Ok-
meydanı Sisli (Istanbul)
Tel. +90 212 320 81 10
recepakar@eteknik.com
www.eteknik.com

UKRAINE

UKRTECHTRONIC LLC.
st. Nyzhnyurkivska, 9, 04080, Kiev
Tel. +38 044 500 98 48
sales@techtronic.com.ua
www.techtronic.com.ua

HUNGARY

Szele-Tech Bt.
Gvadányi u. 33-39. I. em. 108., 1141, Budapest
Tel. +36 1 401 0023
info@szele-tech.hu
www.szele-tech.hu

NORTH AMERICA

CANADA

Manufacture Scorpion Inc.
561, rue Edouard, J2G 3Z5, Granby
Tel. +1 (450) 378-3595
contact@mscopyon.com
www.manufacturescorpion.com

USA

Pneumax Automation LLC
128 Durkee Lane, Dallas
NC 28034 - USA
Tel.: +1 704 215 6991
Fax: +1 888 613 6529
info@pneumax.us
www.pneumax.us



MEXICO

Pneumatecna S.A. DE C.V. - Zapopan
Calle Volcán Popocatepetl 1844, Colli Urbano
45070, Zapopan, Jalisco
Tel. +52 33 31255978
pneumatecna@yahoo.com.mx
www.pneumatecna.com.mx

CENTRAL AMERICA

COSTA RICA

PYASA Proyectos y Automatización S.A.
Oficentro Santa María Oficina 1A,
50 metros Norte
Del Hampton Inn & Suites, Alajuela
Tel. +506 2441-5129 / 2441-5130
info@pyasa.net
<https://pyasa.net>

EL SALVADOR

Tecni Equipos S.A. de C.V.
Av. Sierra Nevada, 704 Edificio CC, 2
Colonia Miramonte, San Salvador
Tel. (503) 2260-8293
Tel. (503) 2261-1497
tecniequipos.com.vt

GUATEMALA

PYASA Proyectos y Automatización S.A.
Avenida 3era 13-30 El Rosario Ofibodegas
San Javier zona 3 de Mixco bodega 7
Ciudad del Guatemala
Tel. +502 24911414
info@pyasa.net
<https://pyasa.net>

NICARAGUA

PYASA Proyectos y Automatización S.A.
Plaza Maranhao, local 7, Reparto Los Robles, o
bien, del Hotel Seminole 100 m sur,
1/2 m al oeste
Managua
Tel. +505-2255-6840
info@pyasa.net
<https://pyasa.net>

SOUTH AMERICA

ARGENTINA

Figli Daniele S.r.l.
PTE PERON 3234
San Justo - Pcia De Bs As.
Tel. +54 11 4484-2074
Fax +54 11 4651-6721
bruno@dinautomacion.com.ar

BRAZIL

Pneumax Brasil
Rua Apucarana 211
8301050, São José dos Pinhais
Tel. +55 41 33987262
diretoria@pneumaxbr.com.br
www.pneumaxbr.com.br



CHILE

Schultz Automatizacion e Ingenieria Ltda
El Retiro 1247 - Enea - Pudahuel, Santiago
Tel. +56 (2) 4951400
jschultz@schultzautomatizacion.cl
www.schultzautomatizacion.cl

COLOMBIA

Soluciones Neumaticas S.A.S.
Calle. 21 #1-21, Barrio San Nicolas, Cali
Tel. +57 (2) 4897647
ingenieria@solucionesneumaticas.com
www.solucionesneumaticas.com

ECUADOR

AINSA S.A Guayaquil City
Av. Juan Tanca Marengo
Km 2,5 y Agustín Freire
EC090509, Guayaquil City
Tel. +593-4 3712670
info@ainsa.com.ec
www.ainsa.com.ec

PERU

Neumatec Perú S.A.C.
Calle General Suárez 1023,
Miraflores, Lima 18
Tel. +51 (1) 4442499
ventas@neumatecperu.com
www.neumatecperu.com

WEF Perú S.A.C.

Jr. Dinamarca 1427,
LIMA 01, Cercado de Lima
Tel. +511 4255740
oficinacentral@wefperu.com
www.wefperu.com

URUGUAY

Secoin S.A
General Aguilar 1270 bis,
Gral. Fausto Aguilar 1270,
11800 Departamento de Montevideo
Tel. +598 2209 3815
ventas@secoin.com.uy
www.secoin.com.uy

VENEZUELA

Sinteco Barquisimeto
AV.Las Industrias Km2,
Edif. Centro de servicios
mercantiles local 2, Barquisimeto
Tel. +58 251 4432555
sintecobarqto@gmail.com
www.sintecobarqto.com.ve



**บริษัท ฟลูเทค จำกัด
FLU-TECH CO.,LTD**

845/3-4 หมู่ 3 ถ.เทพารักษ์ ต.เทพารักษ์ อ.เมือง จ.สมุทรปราการ 10270
845/3-4 Thepharak RD., T.Thepharak, A.Muang, Samutprakarn 10270 THAILAND
Tel. 0 2384 6060, Fax 0 2384 5701, Email : sales@flutech.co.th, www.flutech.co.th



WORLDWIDE NETWORK

AFRICA

ALGERIA

C.M.P.R. Sarl
23 Rue Lalla Fatma N'Soumeur Hassen
Badi El-Harrach, Algeri
Tel. +213 21 82 70 69

EGYPT

Egyptian Engineering
Shop 6 building no 1 Jordan co.
10th Of Ramadan City, Egitto
Tel. +20554368385
Fax: +20554368385
Email: info@eefhydropneu.com
www.eefhydropneu.com

GHANA

Cemix Limited
34 SPINTEX ROAD-ACCRA-GHANA-WEST
Tel. +233 0302 817030
sales@cemixghana.com
www.cemixghana.com

MOROCCO

R2i TFZ
Ilot 87, 1er étage, Bureau 20,
zone franche d'Exportation Tanger
Tel. +212 539 39 10 17
r2itfz@r2imaroc.ma
www.r2itfz.com

TUNISIA

L'Equipement moderne
86, Av. de Carthage, 1000, Tunis
Tel. +216 71 343844
equipement.moderne@planet.tn
www.lequipementmoderne.com

ASIA

SAUDI ARABIA

Arabian Universal Establishment for Trading
Southern Shopping Center, P.O BOX 3105
21471, Jeddah
Tel. +966 26 477159
www.arabianuniversal.com

CHINA

Pneumax Pneumatic Equipments Co., Ltd.
No. 76, Jinma Rd., Jiufu Economic Development Zone, Jiuting Town
201615, PRC, Shanghai
Tel. +86 (21) 57763100
sales@pneumaxchina.com
www.pneumaxchina.com



UNITED ARAB EMIRATES

Fine Industrial & Agri ENG. Services
P. O. BOX 5763, Sharja UAE
Tel. +971 (6) 5335434
fineinds@emirates.net.ae

PHILIPPINES

Integrated Hydro-Pneumatic SYSTEMS, INC.
N°4 St. Thomas Avenue,
Lopez Commercial Area
Sucat, Parañaque City
Tel. +632 02 820-0569
integhps@iconex.net

JORDAN

Al Sultan Company
for Industrial Equipment
P.O. Box 620996
11162, Amman
Tel: + 962 6 4753764
omar@alsultanco.com
www.alsultanco.com

INDIA

Pneumax Pneumatic
India Pvt. Ltd.
D-82, Hosiery Complex, Phase-II extrn.
201305, Noida, UP
Tel. +91 (120) 4352560 / 61 / 62
info@pneumax-india.com
www.pneumax-india.com



INDONESIA

Managed by Pneumax Singapore Pte Ltd

PT. Mutiara Citramulia Teknindo
Ruko Karawaci Residence Blok A1,
No. 17 Jl. Raya
Legok. Bojong Nangka Kelapa Dua
Serpong-Tangerang 15810, Banten, 15810,
Giacarta
Tel. +62 21 29324792
pneumaxmct@cbn.net.id
www.pneumaxspa.com/ENG

IRAN

Ital Electro Pneumatic
NO. 204-2ND FLOOR-TAGHINIA
BLDG-SOUTH SA'ADI STREET
114715719, Teheran
Tel. +98 (21) 33919177
info@italpneum.com

ISRAEL

Ilan & Gavish
Yokneam Ilit 20692
POB 335, Soltam Site
Tel. +972 3 9221824
mail@ilan-gavish.com
www.ilan-gavish.co.il

LEBANON

Yamine Trading Company SARL
Boushrieh, Industrial City, P.O. Box 90 684
Jdeideh, El Metn 1202
2060, Beirut
Tel. +961 1 885520
info@yamminetrading.com
www.yamminetrading.com

MALAYSIA

Managed by Pneumax Singapore Pte Ltd
PSI Pneumatic Control Sdn Bhd
4M (1) Desa Universiti Commercial Complex,
Jalan Sungai Dua
11700, Penang
Tel. +60 4 6592627
sales-psi@airdynamics.com.sg

OMAN

Muscat Pneumatic System & Project LLC
Shop # 1484, Building # 1450B,
P.O. Box 105 PC: 120,
Muscat, Sultanate Of Oman
Tel. +968 24137684
sales@muscat-pneumatic.com

PAKISTAN

Fluid Tekhnik
Suite 101-104 Industrial Town Plaza, Opp. Sind
Madressah, Shahrah-e-Liaquat
74000, Karachi
Tel. +92 (21) 2410335
info@fluid-technik.com.pk
www.fluid-technik.com.pk

SINGAPORE

Pneumax Singapore Pte Ltd
51, Ubi Avenue 1/ 01-16,
Paya Ubi Industrial Park
408933, Singapore
Tel. +65 6392 0581
sales@pneumax.com.sg
www.pneumax.com.sg



SYRIA

Al Rowad Trading
P.O. BOX. 12806
Damasco
Tel: +963 944 228 955
alrowadtrading01@hotmail.com

THAILAND

Thai Agency Engineering Co. LTD
9 Soi Yasoop 2, 2nd-3rd Floor, Vorasin
building, Vipavadirangsit Road, Ladyao
10900, Chumphon
Tel: +66 (2) 6915900
taec@bkk.loxinfo.co.th
www.thai-a.com

OCEANIA

AUSTRALIA

Air & Automation Equipment Ltd.
3-9 Herbert Street
2137 N.S.W., Mortlake
Tel. +61 (2) 9743 1271
airauto@ihug.com.au
www.airautomation.com.au

NEW ZEALAND

Automation Equipment Ltd
26 Tawn Place
P. O. BOX 5656, Hamilton (Pukete)
Tel. +64 7 8490281
sales@autoequip.co.nz
www.autoequip.co.nz