

# Manual Control Consolidated Lockout and DPB Valves

# V45M Models Port Sizes: 3/8, 1/2, 3/4

Model Shown: V45M-6N6



## SPECIFICATIONS

**Ambient/Media Temperature:**  
40° to 175°F (4° to 80°C).

**Fluid Media:** Compressed air.

**Inlet Pressure:** 30 to 150 psig (2 to 10 bar).

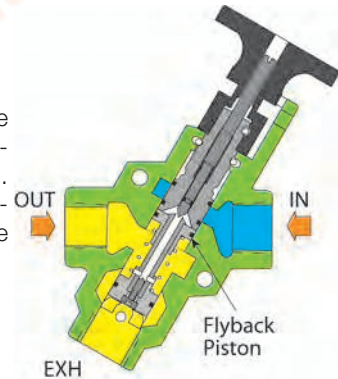


Valve Padlocked in Closed Position

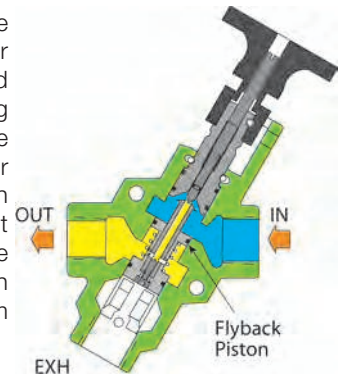
- ◆ 3-Way spool lockout valve with added delayed pressure buildup function.
- ◆ Large operating handle is blue so it will be easily seen in the workplace.
- ◆ Manual lockout control; valve can be padlocked only in the closed position.
- ◆ Adjustable rate of delayed pressure buildup.
- ◆ Spool moves smoothly even after a long period on standby.
- ◆ Threaded exhaust port to accommodate a silencer or a line for remote exhausting.
- ◆ NPTF port threads; optional BSPP threads.

## VALVE OPERATION

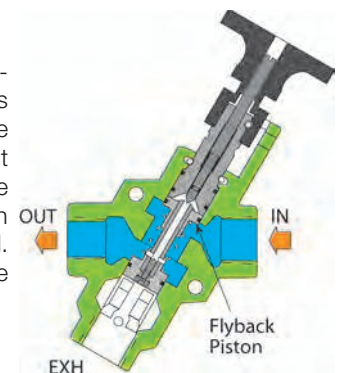
**Valve closed.** With the blue handle pushed inward, air pressure at the inlet is blocked. Pressurized air remaining downstream is exhausted through the exhaust port.



**Valve activated.** With the blue handle pulled outward, inlet air passes through the metered orifice (size set by adjusting screw) and begins to pressurize the outlet. High pressure inlet air on the top of the flyback piston prevents the spring behind it from sliding the piston along the spool. The position of the piston keeps the outlet blocked from the main flow of inlet air.



**Valve open.** Air through the metering orifice gradually increases the pressure on the spring side of the flyback piston. At about 25 psi less than inlet pressure the force on the piston is enough to slide it along the main spool. Inlet air then flows freely to the outlet.

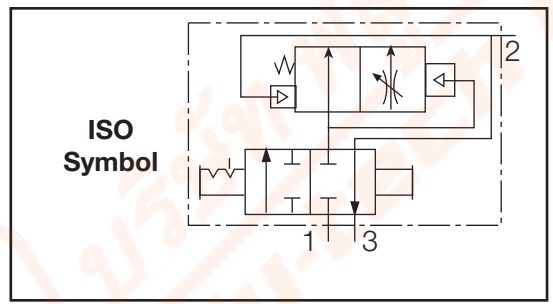
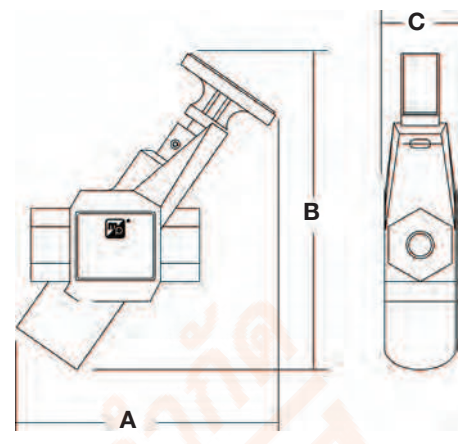


บริษัท ฟลูเทค จำกัด  
FLU - TECH CO., TD

845/3-4 หมู่ 3 ถ.เทพารักษ์ ต.เทพารักษ์ อ.เมือง จ.สมุทรปราการ 102070  
845/3-4 Thepharak RD., T. Thepharak, A. Muang, Samutprakan 10270 THAILAND  
Tel. 0 2384 6060, Fax 0 2384 5701, Email : sales@flutech.co.th, www.flutech.co.th

**DIMENSIONS** inches (mm)

Port Sizes		Average $c_v$		A	B	C
In-Out	Exh	1 to 2	2 to 3			
3/8	3/4	6.0	8.0			
1/2	3/4	7.1	8.3	6.4 (163)	8.8 (224)	2.0 (51)
3/4	3/4	8.6	9.5			



**ORDERING INFORMATION**

Select the port size in the sample model number below to specify the valve you want.

**V45M - 3 N6 W**

**INLET/OUTLET PORTS**

- 3/8 NPTF..... 3
- 1/2 NPTF..... 4
- 3/4 NPTF..... 6

**PORT TYPE**

- NPTF threads ..... Leave Blank
- BSPP threads ..... W

