

Silencer/Reclassifiers

RS and MRS Models Port Size: 1/2 to 1



Model Shown: RS100-4

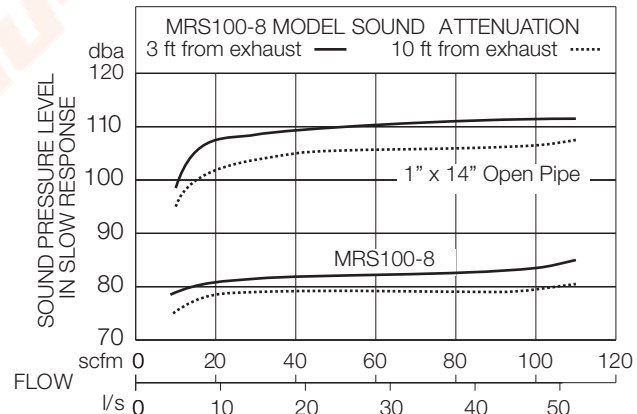
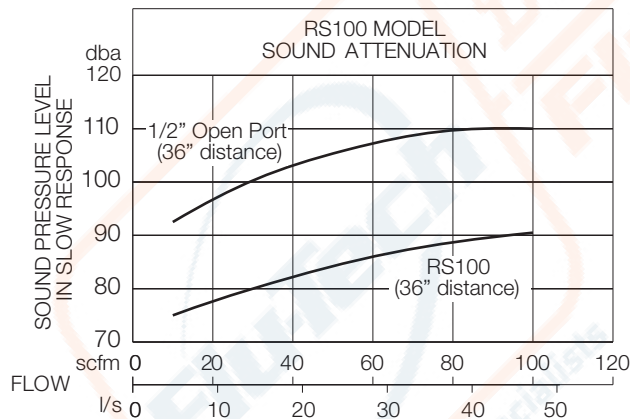
Model Shown: MRS100-8

Silencer/reclassifiers are integral silencer and oil separation devices. When installed at the exhaust ports of pneumatic valves they reduce exhaust noise and capture lubricants contained in the exhausting air. They are used on valve-cylinder applications and on air tools with piped exhausts.

- ◆ Exhaust noise is reduced to 80 to 85 dba under standard steady-state test conditions.
- ◆ Peak impact noise is reduced to 106 to 108 dba.
- ◆ A drain cock is supplied for manual or automatic draining of accumulated liquids. An optional 1/8 tube fitting (00142W) is available for automatic draining.
- ◆ NPTF port threads; optional BSPP threads.

SOUND ATTENUATION DATA

Constant-flow tests were conducted in a 14' x 22' room with a 14' ceiling. Sound pressure levels were recorded using a B & K precision impulse sound meter (model 22045), a 1-inch microphone (DB0375), a flexible extension rod (UA0196), and a random incidence corrector (UA0055). Test system as mounted on the 14-foot wall with exhaust port 4 feet from the 14-foot wall.



SPECIFICATIONS

Ambient/Media Temperature:

Plastic Bowls: 40° to 125°F (4° to 51°C).
RS Metal Bowls: 40° to 175°F (4° to 79°C).

Bowl: Polycarbonate plastic. Optional steel shatterguard

Element: Sintered bronze.

Fluid Media: Compressed air.

Inlet Pressure:

5 to 150 psig (0.3 to 10 bar) maximum.

See back pressure performance data on the facing page.

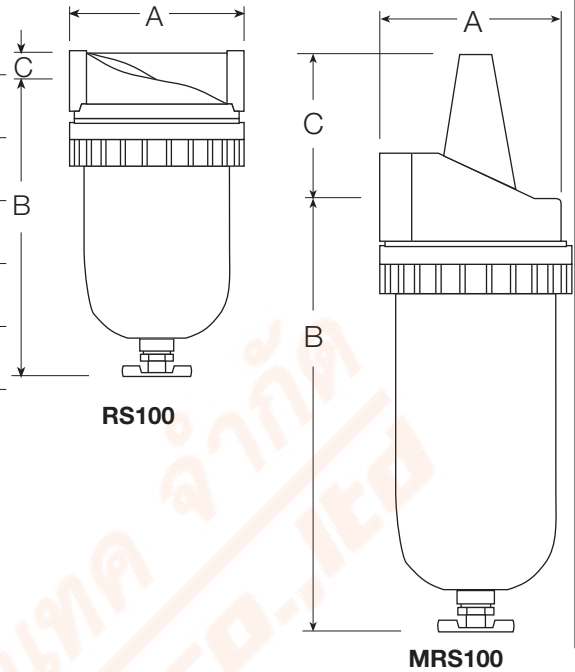


บริษัท ฟลูเทค จำกัด
FLU - TECH CO., TD

845/3-4 หมู่ 3 ถ.เทพารักษ์ ต.เทพารักษ์ อ.เมือง จ.สมุทรปราการ 102070
845/3-4 Thepharak RD., T. Thepharak, A. Muang, Samutprakan 10270 THAILAND
Tel. 0 2384 6060, Fax 0 2384 5701, Email : sales@flutech.co.th, www.flutech.co.th

DIMENSIONS inches (mm)

Port Size	Model Number	A	B	C	Depth	Weight lb (kg)
1/2	RS100-4	3.5 (89)	5.5 (140)	0.7 (18)	3.5 (89)	1.3 (0.59)
1/2	MRS100-4	4.2 (107)	8.4 (213)	2.7 (69)	4.2 (107)	2.8 (1.27)
3/4	MRS100-6	4.2 (107)	8.4 (213)	2.7 (69)	4.2 (107)	2.8 (1.27)
1	MRS100-8	4.2 (107)	8.4 (213)	2.7 (69)	4.2 (107)	2.8 (1.27)

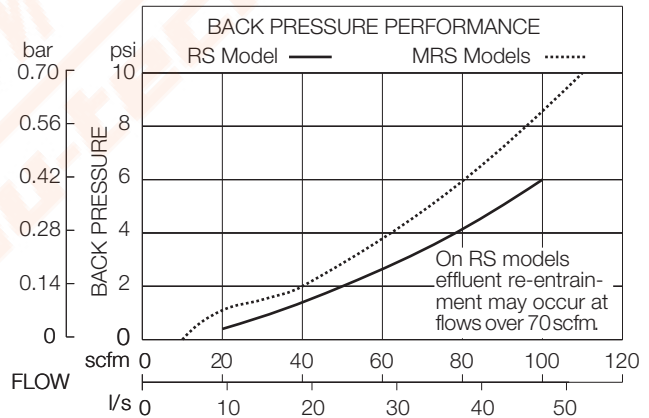
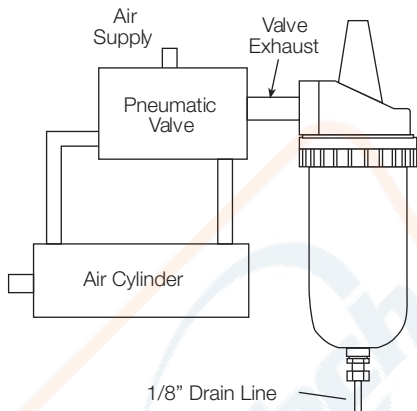


REPLACEMENT ELEMENT KITS

RS Models KA103-03E4

MRS Models KA109-32

TYPICAL INSTALLATION IN A VALVE-CYLINDER CIRCUIT



ORDERING INFORMATION

Change the letters in the sample model number below to specify the silencer/reclassifier you want.

B RS 100 - 4 Y W

BOWL TYPE

Metal bowl.....B
Plastic bowl.....Leave Blank

BOWL SIZE

8-Ounce (240-ml) bowl.....RS
16-Ounce (480-ml) bowl..... MRS

PORT SIZE

1/2 NPTF..... 4
3/4 NPTF (only with MRS bowl) 6
1 NPTF (only with MRS bowl) 8

PORT TYPE

NPTF threads Leave Blank
BSPP threads W

OPTION

NoneLeave Blank
Bowl shatterguardSG

