

# ELECTRONICALLY CONTROLLED Warrior Drain

# DED Models Port Sizes: 1/4 to 1/2



Model Shown: DED-115V-2

- ◆ Viton seals in the valve to ensure long life and resistance to synthetic oils.
- ◆ O-ring seals on timer cycle adjusters to ensure water resistant sealing IP65
- ◆ Fully Automatic - No maintenance.
- ◆ Manual TEST switch (micro switch)
- ◆ CD tested, UL Recognized.
- ◆ Small compact design.
- ◆ NPTF port threads; optional BSPP threads.
- ◆ Other voltages available

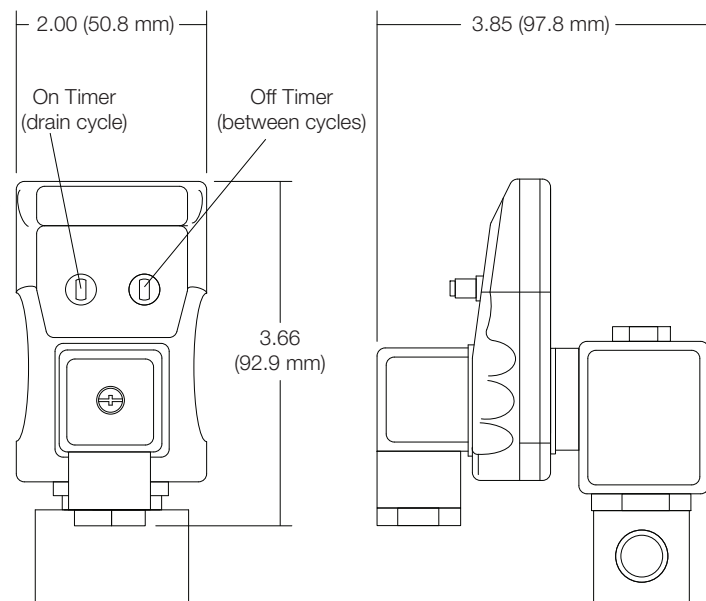
The **WARRIOR** drain is designed to remove condensate from components in compressed air systems. Typical installations include compressors, dryers, receivers, driplegs, and filters.

The drain consists of a timer and a valve. Electronic controls allow the draining interval to be set from 0.5 to 45 minutes, and the drain time from 0.5 to 10 seconds. Once set, draining action is automatic and requires no maintenance. This is important in constant-flow applications where there is no on-off action to trigger a standard automatic drain.

## SPECIFICATIONS

- Drain Time:** Adjustable 0.5 to 10 seconds.
- Drain Interval:** Adjustable 0.5 to 45 minutes.
- Current Consumption:** 4 ma maximum.
- Ambient Temperature:** 35° to 130°F (2° to 54°C).
- Media Temperature:** 35° to 190°F (2° to 88°C).
- Electrical Connection:** DIN 43650A, ISO 440/6952.
- Valve Type:** 2/2 direct acting, normally closed.
- Valve Body:** Forged brass; 3/16-inch (4.8 mm) orifice.
- Maximum Pressure:** 230 psig (16 bar).

## DIMENSIONS inches (mm)



## ORDERING INFORMATION

Change the numbers in the sample model number below to specify the switch you want.

# DED- 115V - 2 W

### VOLTAGE

115 VAC, 50/60 Hz .....	115V
24 VDC .....	24V
230 VAC .....	230V

### PORT TYPE

NPT threads .....	Leave Blank
BSP threads .....	W

### PORT SIZE

1/4-NPTF .....	2
3/8-NPTF .....	3
1/2-NPTF .....	4

## Replacement Drain Kits for M/P Filters: Plastic Bowls



This replacement kit contains a Warrior Drain, Pipe nipple and correct plastic bowl assembly with shatterguard.

# DED- 115 - F100

### VOLTAGE

115 VAC, 50/60 Hz .....	115
24 VDC .....	24V
230 VAC .....	230

### REPLACEMENT BOWL

F100 ( <i>Vanguard 1/4 to 3/4</i> ) .....	F100X
F100 ( <i>High Flow 3/4 to 1</i> ) .....	F100
FC101 ( <i>Vanguard 1/4 to 1/2</i> ) ...	FC101X
FC101 ( <i>High Flow 3/4 to 1</i> ) .....	FC101

## Replacement Drain Kits for M/P Filters: Metal Bowls

This replacement kit contains a Warrior Drain and pipe nipple.



# DED- 115 - BF100

### VOLTAGE

115 VAC, 50/60 Hz .....	115
24 VDC .....	24V
230 VAC .....	230

### REPLACEMENT BOWL

BF100 ( <i>1/4" to 1"</i> ) .....	BF100
BFC101 ( <i>1/4" to 1"</i> ) .....	
BF200 ( <i>3/4" to 1-1/2"</i> ) .....	
BFC201 ( <i>3/4" to 1-1/2"</i> ) .....	

