



**PNEUMAX**



# **PNEUMAX FLUID CONTROL**

CATALOGUE



# Pneumax Fluid Control Catalogue

Pneumax offers a wide range of brass and stainless steel valves and solenoid valves, suitable for use with liquid and gaseous fluids.





# Pneumax Group

## Smart Technologies and Human Competence

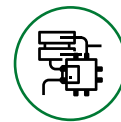
Founded in 1976, **Pneumax S.p.A.** is today one of the leading, international manufacturers of components and systems for automation. It is at the fore front of a group comprised of **25 companies**, with **over 800 employees worldwide**. Ongoing investment in research and development has allowed Pneumax to continually expand its range of standard products and customised solutions, adding to the well-established pneumatic technology, a range of electric drive actuators and fluid control components.

The desire to provide the service and specific application skills has led to the creation of 3 business units, dedicated to **Industrial Automation**, **Process Automation** and **Automotive sector**.

With the assistance of the specific Business unit Development Manager, Pneumax are able to design solutions than can add value to individual customer applications.



Pneumatic  
technology



Electric  
actuation



Fluid  
control

### Industrial automation



### Process automation



### Automotive



## Components and systems for fluid control

The Pneumax range of components designed for the control and management of liquid and gaseous fluids have been manufactured using selected materials (valve bodies: brass, stainless steel, seals: FPM, PTFE & EPDM) in order to guarantee maximum reliability in harsh environments.

- **ATEX versions available**
- **Solutions for low temperatures (>-40 °C) or high temperatures (< +140 °C)**
- **Wide range of components suitable for use with oxygen**
- **UL US IEC certified solenoid coils**

Pneumatic actuated  
angle seat valve

Pad valves

Servo-assisted piston and  
diaphragm solenoid valves



Direct acting poppet type  
solenoid valves











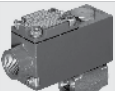







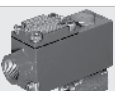




# Index

## Pneumax Fluid Control







### Introduction

6






#### Direct acting poppet type solenoid valves 2/2 - 3/2 - Series F300

	<b>F3105 - 2/2</b> Brass body - 1/8"	<b>9</b>		<b>F3210 - 2/2</b> Stainless steel body - 1/4" ... 1/2"	<b>22</b>
	<b>F3106 - 2/2</b> Brass body - 1/8" and 1/4"	<b>10</b>		<b>F3211 - 2/2</b> Stainless steel body - 1/8"	<b>23</b>
	<b>F3106 - 2/2</b> Stainless steel body - 3/8" and 1/2"	<b>11</b>		<b>F3206 - 2/2</b> Brass body - 1/8" ... 1/2"	<b>24 - 25</b>
	<b>FX3106 - 2/2</b> Brass body - 1/8" ... 1/2"	<b>12 - 13</b>		<b>F3305 - 3/2</b> Brass body - 1/8"	<b>26</b>
	<b>F3110 - 2/2</b> Stainless steel body - 1/4" ... 1/2"	<b>14</b>		<b>F3306 - 3/2</b> Brass body - 1/8" and 1/4"	<b>27</b>
	<b>FX3110 - 2/2</b> Stainless steel body - 1/4" ... 1/2"	<b>15</b>		<b>F3310 - 3/2</b> Stainless steel body - 1/4"	<b>28</b>
	<b>F3111 - 2/2</b> Stainless steel body - 1/8"	<b>16</b>		<b>F3311 - 3/2</b> Stainless steel body - 1/8"	<b>29</b>
	<b>F3115 - 2/2</b> Brass body - 1/8"	<b>17</b>		<b>F332 - 3/2</b> Stainless steel body or anodised aluminium - 1/4"	<b>30</b>
	<b>F3170 - 2/2</b> Stainless steel body - 1/4" ... 1/2"	<b>18</b>		<b>F3371 - 3/2</b> Stainless steel body - 1/8"	<b>31</b>
	<b>FX3170 - 2/2</b> Stainless steel body - 1/4" ... 1/2"	<b>19</b>		<b>F3370 - 3/2</b> Stainless steel body - 1/4"	<b>32</b>
	<b>F3171 - 2/2</b> Stainless steel body - 1/8"	<b>20</b>		<b>FX3370 - 3/2</b> Stainless steel body - 1/4"	<b>33</b>
	<b>F3271 - 2/2</b> Stainless steel body - 1/8"	<b>21</b>			






### Servo-assisted diaphragm solenoid valves 2/2 - Series F300

	<b>F3107</b> Brass body and cover 1/4" ... 1 1/4"	<b>34</b>		<b>FX3177</b> Stainless steel body and cover 3/8" ... 1"	<b>37</b>
	<b>FX3107</b> Brass body and cover 1/4" ... 3"	<b>35</b>		<b>F3277</b> Stainless steel body and cover 3/8" ... 1"	<b>38</b>
	<b>F3177</b> Stainless steel body and cover 3/8" ... 1"	<b>36</b>		<b>F3207</b> Brass body and cover 1/4" ... 3"	<b>39 - 40</b>


### Assisted-lift diaphragm solenoid valves 2/2 - Series F300

	<b>F3108</b> Brass body and cover 3/8" ... 1"	<b>41</b>		<b>FX3168</b> Brass body - 3/8" ... 1"	<b>44</b>
	<b>F3168</b> Brass body and cover 3/8" ... 1 1/2"	<b>42</b>		<b>FX3178</b> Stainless steel body - 3/8" ... 1"	<b>45</b>
	<b>F3178</b> Stainless steel body and cover 3/8" ... 1 1/2"	<b>43</b>			






### Servo-assisted piston solenoid valves 2/2 - Series F300

	<b>F3119</b> Brass body and cover 1/4" ... 1/2"	<b>46</b>		<b>F3124</b> Brass body and cover - 1/2"	<b>49</b>
	<b>F3119W</b> Brass body and cover 3/8" ... 1/2"	<b>47</b>		<b>F3224</b> Brass body and cover - 1/2"	<b>50</b>
	<b>F3123</b> Brass body and cover - 3/8"	<b>48</b>			

### Solenoid coils - Series F300

	<b>51</b>
---	-----------

### Pneumatic actuated angle seat valves 2/2 - Series PVF

	<b>Connection type: threaded ports</b> 1/2" ... 3"	<b>52</b>		<b>Connection type: flange mounting</b>	<b>55</b>
	<b>Connection type: welded connection</b>	<b>53</b>		<b>Proximity sensor</b>	<b>56</b>
	<b>Connection type: clamp</b>	<b>54</b>			

### Pad valves 2/2 - Series PVA

	<b>"T" body version</b>	<b>57</b>		<b>"Y" body version</b>	<b>58</b>
---	-------------------------	-----------	---	-------------------------	-----------

**Series F300**

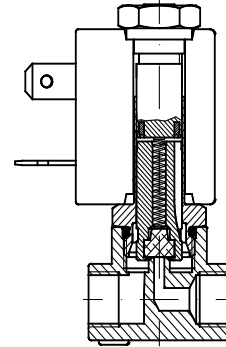
**General**

F300 series includes a vast range of solenoid valves in brass and stainless steel designed to control air, water, steam and all fluids that are compatible with the materials used for bodies and seals. The solenoid valves are 2 or 3-way, normally closed, normally open, general service, direct acting or servo-assisted, with connections available in NPT & BSP threads from G1/8" up to G3", with a working pressure range from vacuum to 100 bar. Solenoid valves are available with coils that conform to CESI 03 ATEX 344 certification for explosive environments. Our technical office ensures the highest standard of skill and understanding for the widest variety of applications, ensuring that the best possible solutions are found.

**Version manufactured**

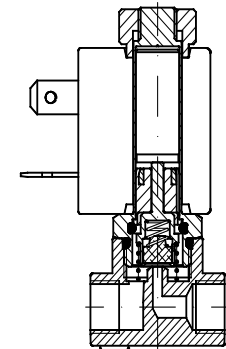
**Solenoid valves direct action 2-way:** 2-way solenoid valves have an input connection and an output connection machined in the valve body, the orifice being intercepted by the poppet moved by the core tube.

They can be **normally closed (2/2 N.C.)**, in this case the fluid is intercepted by the poppet at rest, with electricity applied, the input orifice is opened and the media reaches the intended use.



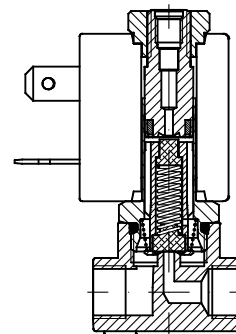
They can be **normally open (2/2 N.O.)**, in this case at rest the orifice remains open without electricity applied, the media reaches the intended use. When electricity is applied the input orifice closes.

Performance in both cases depends solely on the magnetic field produced by the solenoid coil. The solenoid valves can also work at zero pressure.



**Solenoid valves direct action 3-way:** 3-way solenoid valves have an input and an output connection in the valve body and an exhaust connection fitted in the stem of the core tube. The input and exhaust orifices are intercepted directly by the poppet fitted within the core tube.

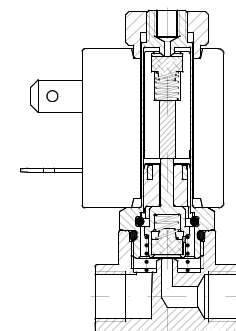
They can be **normally closed (3/2 N.C.)** and in this case, at rest, the incoming fluid is intercepted by the poppet and output port in connected to the exhaust port. Applying electrical power, the input orifice is opened and feed is supplied to the output. Exhaust is closed.



They can be **normally open (3/2 N.O.)** and in this case, at rest, the input orifice is open without electricity applied, the media reaches the intended use. Exhaust is closed.

Applying power, the input orifice closes and the output discharges through the exhaust port.

Performance in both cases depends solely on the magnetic field produced by the solenoid coil. The solenoid valves can also work at zero pressure.





### Servo-assisted solenoid valves

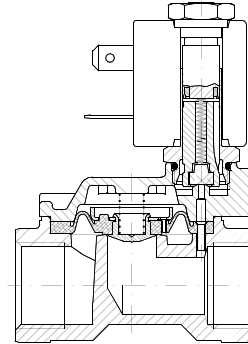
Large-sized passage orifices increase the value of the static pressure which has to be overcome by the magnetic field produced by the coil. These solenoid valves are used to control high-pressure values with large diameter bores. In these models, the fluid helps in the opening or closing of the main poppet.

They can be **normally closed (2/2 N.C.)** and have an input and a utilisation connection machined into the valve body and at rest the fluid is intercepted by the main poppet, which can be either diaphragm or a piston. In this condition, the fluid acts on both faces of the main plunger through a pinhole contributing to closure of the poppet.

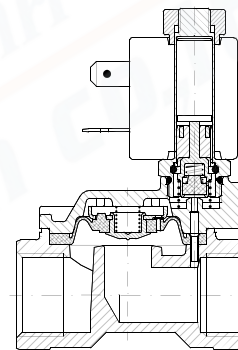
Applying electrical power, the secondary, or pilot, orifice opens leading to the exhaust of the fluid, which acts to close the main poppet.

Greater force is thus applied when opening, the poppet is raised from the orifice and allows the media to flows to the output.

In these versions, performance does not depend solely on the magnetic field produced by the coil; a minimum input pressure is also needed so as to move the diaphragm or the piston overcoming its rigidity and to keep it raised from the main orifice ( $\Delta p$  minimum performance).



They can be **normally open (2/2 N.O.)** and have an input and output connection machined into the valve body, and at rest the core tube communicates with output, a minimum-pressure difference between the feed and the output causes the main poppet to rise, leading to it opening. Applying electrical power, the secondary orifice closes and equilibrium between the pressure on the two faces of the main poppet is reinstated, and so it returns to its closed position on the main orifice. In this version a minimum working pressure is also needed.



### Sealing materials

Designation	Trade names	General characteristics	Field of use
FPM (Fluorocarbon)	VITON TECNOFロン FLUOREL	A synthetic hexa-fluoropropylene-based elastomer. Excellent resistance to high temperatures. Excellent resistance to ozone, oxygen, mineral oils, synthetic hydraulic fluids, fuels, hydrocarbons and many chemical products. Not specific for superheated steam.	For general use up to 140 °C







## Resistance to fluids

The table below serves to general information relating to the compatibility between FPM (fluorocarbon) and a number of neutral fluids. Where there are corrosive fluids, in order to establish compatibility, it is important to be aware of all the data relating to use: temperature, concentration and composition of the fluid.

Fluid	
Ethyl acetate	Not compatible
Acetylene	Compatible
Vinegar	Not compatible
Acetone	Not compatible
Calcareous water	Compatible
Hot water <75 °C	Compatible
Hot water and steam <140 °C	Not compatible
Water with glycol	Compatible
Deionised water	Compatible
Demineralised water	Compatible
Hydrogen peroxide	Compatible
Soapy water	Compatible
Carbon dioxide (liquid)	Not compatible
Dry carbon dioxide (gas)	Compatible
Argon	Compatible
Nitrogen	Compatible
Petrol/Gasoline	Compatible
Benzol	Not compatible
Butane	Compatible
Chloroform	Not compatible
Ethyl Chloride	Compatible
Methyl chloride	Not compatible
Helium	Compatible
Heptane	Compatible
Hexane	Compatible
Ethane	Compatible
Ethanol	Not compatible
Formaldehyde	Compatible
Freon	Not compatible
Natural gas	Compatible
Diesel oil	Compatible
Glycerine	Compatible
Ethylene glycol	Compatible
Hydrogen	Compatible
Isobutane	Compatible
Isopentane	Compatible
Methane	Compatible
Methanol	Not compatible
Calcium monoxide	Compatible
Neon	Compatible
Nitrobenzene	Not compatible
Mineral oil	Compatible
Oxygen	Compatible
Pentane-n	Compatible
Propanol-n	Compatible
Propane-n	Compatible
Carbon sulphide	Not compatible
Toluene	Compatible
Dry trichloroethylene	Compatible
Xylene	Compatible

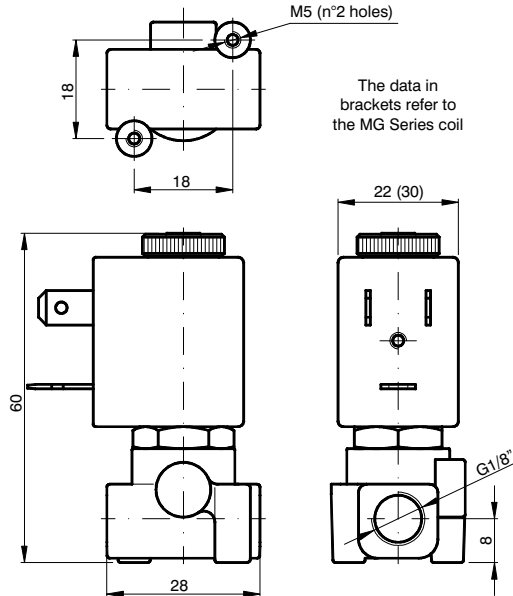
PNEUMAX FLUID CONTROL

FluTech จำกัด  
FluTech Co.,Ltd





**F3105 - 2-way solenoid valve N.C. brass body, with G connection (ISO 228) - 1/8"**



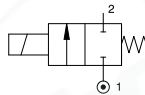
CODE "V" = FPM seals	G connection (ISO 228) ⊕ = Connection	Orifice (mm)	KV (m <sup>3</sup> /h)	Differential pressure (bar)		Power consumption			⊕ = Solenoid coil		Temperature range (°C)	
	A			Min	Max		AC Inrush (VA)	AC Holding (VA)	DC (W)	Series		Size
					AC	DC						
F3105⊕V12⊕	1/8"	1,2	0,04	0	25	25	12	8	6,5	MI	22	-10 ... +140
F3105⊕V15⊕		1,5	0,06		16	16						
F3105⊕V20⊕		2	0,09		12	10						
F3105⊕V25⊕		2,5	0,14		8	5,5						
F3105⊕V31⊕		3,1	0,19		5	2						
F3105⊕V40⊕		4	0,35		4	1,5						

**N.B. For use with steam maximum admitted pressure PS is 2,5 bar (relative pressure).**

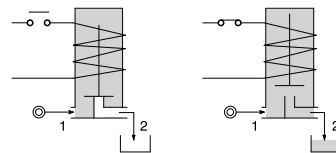
Example: F3105⊕V25⊕ => F3105AV25MI58:

2-way solenoid valve normally closed, direct acting poppet type with G connection (ISO 228) 1/8", FPM seals, orifice 2,5 mm, solenoid coil 230 VAC (50-60 Hz) (MI58, size 22 for more information, please refer to the section "Solenoid coils - Series F300").

**Pneumatic symbol**



**Diagram**

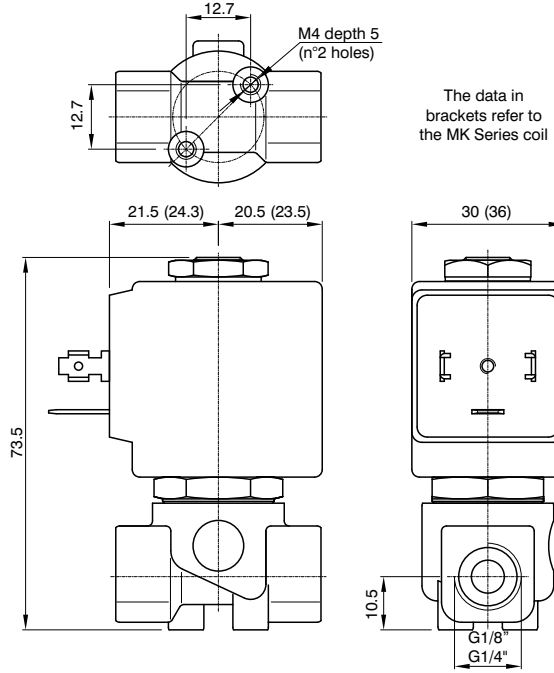
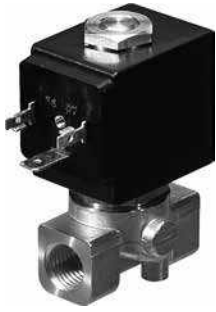


Construction characteristics	Technical characteristics	
- Brass body	Maximum admitted pressure (bar)	50
- Brass guide tube	Maximum fluid viscosity (mm <sup>2</sup> /s)	25cSt
- AISI 430FR stainless steel mobile and fixed core	Ambient temperature: with class F solenoid coil (°C)	-10 ... +55
- AISI 302 stainless steel springs	Mounting position	Indifferent
- FPM sealing assemblies	Weight (g) with solenoid coil MI series	130
<b>OPTIONS (on request):</b>	Weight (g) with solenoid coil MG series	180
- Manual override		
- Chemical nickel plating surface treatment		
- Stainless steel guide tube		
- For use with oxygen		
- XME solenoid coil for potentially explosive environments to ATEX standards - Ex mb IIC		
- CE certified solenoid coils		
- Versions for use with fluid temperature at -40 °C		





**F3106 - 2-way solenoid valve N.C. brass body, with G connection (ISO 228) - 1/8" and 1/4"**



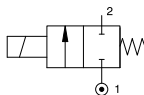
CODE "V" = FPM seals	G connection (ISO 228) ⊕ = Connection		Orifice (mm)	KV (m <sup>3</sup> /h)	Differential pressure (bar)			Power consumption			⊕ = Solenoid coil		Temperature range (°C)
	A	B			Min	Max		AC Inrush (VA)	AC Holding (VA)	DC (W)	Series	Size	
						AC	DC						
F3106CV10⊕	1/8"	1/4"	1	0,04	0	80	80	20	15	10	MG	30	-10 ... +140
F3106CV12⊕			1,2	0,05		60	60						
F3106CV15⊕			1,5	0,07		30	26						
F3106CV20⊕			2	0,1		22	20						
F3106CV25⊕			2,5	0,15		16	14						
F3106CV30⊕			3	0,25		15	10						
F3106CV35⊕			3,5	0,32		10	8						
F3106CV40⊕			4	0,36		8	5						
F3106CV45⊕			4,5	0,41		6,5	3,5						
F3106CV52⊕			/	/		5,2	0,47						
F3106CV64⊕	/	/	6,4	0,64	3	1							
F3106CV10⊕	1/8"	1/4"	1	0,04	0	100	100	40	30	27	MK	36	-10 ... +140
F3106CV12⊕			1,2	0,05		100	100						
F3106CV15⊕			1,5	0,07		80	80						
F3106CV20⊕			2	0,1		50	40						
F3106CV25⊕			2,5	0,15		35	33						
F3106CV30⊕			3	0,25		25	24						
F3106CV35⊕			3,5	0,32		20	19						
F3106CV40⊕			4	0,36		16	15						
F3106CV45⊕			4,5	0,41		14	13						
F3106CV52⊕			/	/		10	9						
F3106CV64⊕	/	/	6,4	0,64	5	4,5							

**N.B. For use with steam, maximum admitted pressure PS is 9 bar (relative pressure) with seals in PTFE and 2.5 bar with seals in EPDM.**

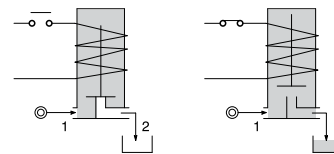
Example: F3106CV52⊕ => F3106BV52MG58:

2-way solenoid valve normally closed, direct acting poppet type with G connection (ISO 228) 1/4", FPM seals, 5,2 mm orifice, solenoid coil 230 VAC (50-60 Hz) (MG58, size 30 for more information, please refer to the section "Solenoid coils - Series F300").

**Pneumatic symbol**



**Diagram**



**Construction characteristics**

- Brass body
- AISI 303 stainless steel guide tube
- AISI 430FR stainless steel mobile and fixed core
- AISI 302 stainless steel springs
- FPM sealing assemblies

**OPTIONS (on request):**

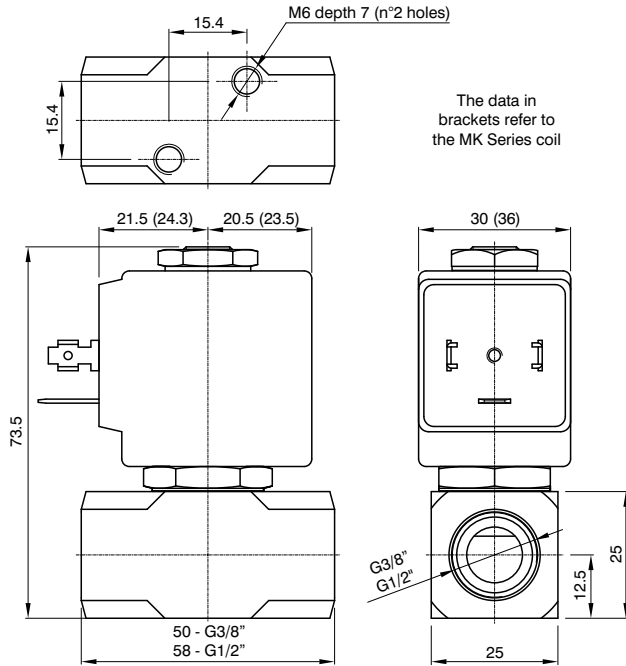
- Manual override
- Chemical nickel plating surface treatment
- Stainless steel seat insert (up to Ø4,5)
- For use with oxygen
- CE certified solenoid coils
- Versions for use with fluid temperature at -40 °C
- PTFE - EPDM seals

**Technical characteristics**

Maximum admitted pressure (bar)	100
Maximum fluid viscosity (mm <sup>2</sup> /s)	25cSt
Ambient temperature: with class F solenoid coil (°C)	-10 ... +55
Ambient temperature: with class H solenoid coil (°C)	-10 ... +80
Mounting position	Indifferent
Weight (g) with solenoid coil MG series	300
Weight (g) with solenoid coil MK series	380



**F3106 - 2-way solenoid valve N.C. brass body, with G connection (ISO 228) - 3/8" and 1/2"**



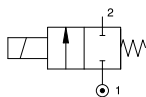
CODE "V" = FPM seals	G connection (ISO 228) ⊕ = Connection		Orifice (mm)	KV (m³/h)	Differential pressure (bar)			Power consumption			⊕ = Solenoid coil		Temperature range (°C)
	C	D			Min	Max		AC Inrush (VA)	AC Holding (VA)	DC (W)	Series	Size	
						AC	DC						
F3106⊕V10⊕	3/8"	1/2"	1	0,04	0	80	80	20	15	10	MG	30	-10 ... +140
F3106⊕V12⊕			1,2	0,05		60	60						
F3106⊕V15⊕			1,5	0,07		30	26						
F3106⊕V20⊕			2	0,1		22	20						
F3106⊕V25⊕			2,5	0,15		16	14						
F3106⊕V30⊕			3	0,25		15	10						
F3106⊕V35⊕			3,5	0,32		10	8						
F3106⊕V40⊕			4	0,36		8	5						
F3106⊕V45⊕			4,5	0,41		6,5	3,5						
F3106⊕V52⊕			5,2	0,47		4	1,8						
F3106⊕V64⊕			6,4	0,64		3	1						
F3106⊕V10⊕			3/8"	1/2"		1	0,04						
F3106⊕V12⊕	1,2	0,05			100	100							
F3106⊕V15⊕	1,5	0,07			80	80							
F3106⊕V20⊕	2	0,1			50	40							
F3106⊕V25⊕	2,5	0,15			35	33							
F3106⊕V30⊕	3	0,25			25	24							
F3106⊕V35⊕	3,5	0,32			20	19							
F3106⊕V40⊕	4	0,36			16	15							
F3106⊕V45⊕	4,5	0,41			14	13							
F3106⊕V52⊕	5,2	0,47			10	9							
F3106⊕V64⊕	6,4	0,64			5	4,5							

**N.B. For use with steam, maximum admitted pressure PS is 9 bar (relative pressure) with seals in PTFE and 2.5 bar with seals in EPDM.**

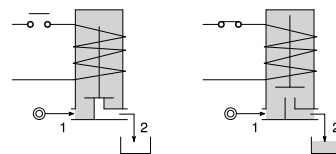
Example: F3106⊕V52⊕ => F3106DV52MK5:

2-way solenoid valve normally closed, direct acting poppet type with G connection (ISO 228) 1/2", FPM seals, 5,2 mm orifice, solenoid coil 24 VDC (MK5, size 36 for more information, please refer to the section "Solenoid coils - Series F300").

**Pneumatic symbol**



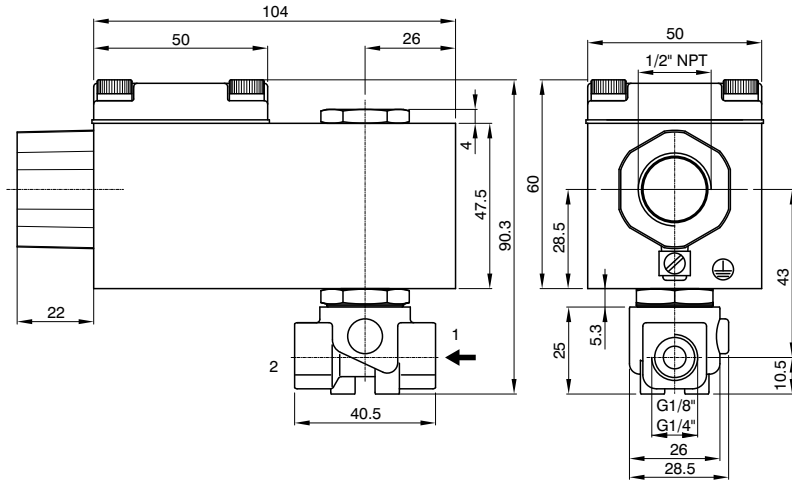
**Diagram**



Construction characteristics	Technical characteristics	
- Brass body	Maximum admitted pressure (bar)	100
- AISI 303 stainless steel guide tube	Maximum fluid viscosity (mm²/s)	25cSt
- AISI 430FR stainless steel mobile and fixed core	Ambient temperature: with class F solenoid coil (°C)	-10 ... +55
- AISI 302 stainless steel springs	Ambient temperature: with class H solenoid coil (°C)	-10 ... +80
- FPM sealing assemblies	Mounting position	Indifferent
<b>OPTIONS (on request):</b>	Weight (g) with solenoid coil MG series	360
- Chemical nickel plating surface treatment	Weight (g) with solenoid coil MK series	440
- For use with oxygen		
- Stainless steel seat insert (up to Ø4,5)		
-  certified solenoid coils		
- Versions for use with fluid temperature at -40 °C		
- PTFE - EPDM seals		



**FX3106 - 2-way solenoid valve N.C. brass body, with G connection (ISO 228)  
with certified housing: Ex d IIC T6 or T5 or T4 Gb - 1/8" and 1/4"**



PNEUMAX FLUID CONTROL

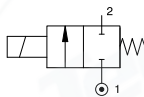
CODE "V" = FPM seals	G connection (ISO 228) ⊕ = Connection		Orifice (mm)	KV (m <sup>3</sup> /h)	Differential pressure (bar)		Power consumption		⊕ = Solenoid coil	Temperature range (°C)	
	A	B			Min	Max		AC Holding (VA)			DC (W)
						AC	DC				
FX3106⊕V10⊕	1/8"	1/4"	1	0,04	0	80	80	12	8	A6B= 24 Volt (AC 50-60 Hz) A6E= 220/230 Volt (AC 50-60 Hz) A60= 12 Volt (DC) A61= 24 Volt (DC)	-10 ... +80
FX3106⊕V12⊕			1,2	0,05		60	60				
FX3106⊕V15⊕			1,5	0,07		30	26				
FX3106⊕V20⊕			2	0,1		22	20				
FX3106⊕V25⊕			2,5	0,15		16	14				
FX3106⊕V30⊕			3	0,25		15	10				
FX3106⊕V35⊕			3,5	0,32		10	8				
FX3106⊕V40⊕			/	4		8	5				
FX3106⊕V45⊕			/	4,5		6,5	3,5				
FX3106⊕V52⊕			/	5,2		4	1,8				
FX3106⊕V64⊕	/	6,4	6,4	0,64	3	1					

**N.B. The solenoid valve is suited for intercepting only fluids that are NOT potentially explosive.**

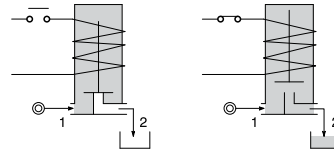
Example: FX3106⊕V35⊕ => FX3106BV35A60:

2-way solenoid valve normally closed, direct acting poppet type with certified housing: Ex d IIC T6 or T5 or T4 Gb, with G connection (ISO 228) 1/4", FPM seals, 3,5 mm orifice, solenoid coil 12 VDC (A60).

**Pneumatic symbol**



**Diagram**



**Construction characteristics**

- Brass body
- Red light alloy housing
- 1/2" NPT electrical connection (M20x1,5 on request)
- FPM sealing assemblies

**OPTIONS (on request):**

- Manual override
- Chemical nickel plating surface treatment
- Stainless steel seat insert (up to Ø4,5)
- Stainless steel solenoid coil housing

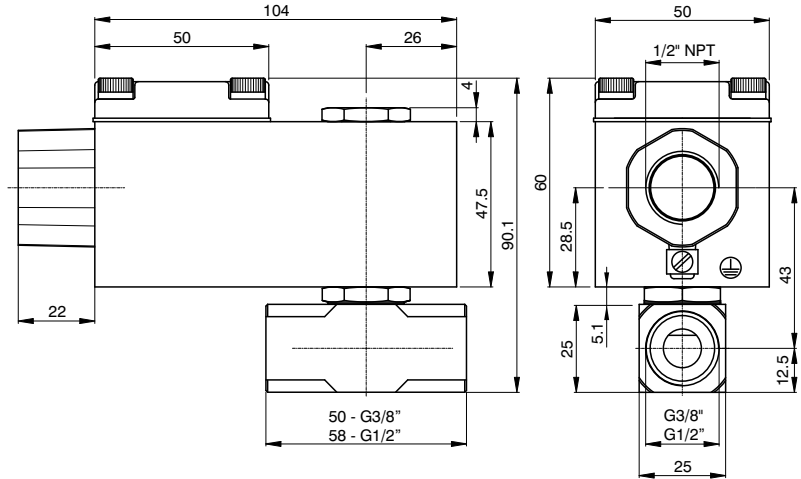
**Technical characteristics**

Maximum admitted pressure (bar)	100
Maximum fluid viscosity (mm <sup>2</sup> /s)	25cSt
Ambient temperature (°C)	-40 ... +60
Mounting position	Vertical with solenoid coil upwards
Weight (g)	600





**FX3106 - 2-way solenoid valve N.C. brass body, with G connection (ISO 228)  
with certified housing: Ex d IIC T6 or T5 or T4 Gb - 3/8 and "1/2"**



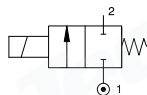
CODE "V" = FPM seals	G connection (ISO 228) ⊕ = Connection		Orifice (mm)	KV (m <sup>3</sup> /h)	Differential pressure (bar)		Power consumption		⊖ = Solenoid coil	Temperature range (°C)	
	C	D			Min	Max		AC Holding (VA)			DC (W)
						AC	DC				
FX3106⊕V10⊖	3/8"	1/2"	1	0,04	0	80	80	12	8	A6B= 24 Volt (AC 50-60 Hz) A6E= 220/230 Volt (AC 50-60 Hz) A60= 12 Volt (DC) A61= 24 Volt (DC)	-10 ... +80
FX3106⊕V12⊖			1,2	0,05		60	60				
FX3106⊕V15⊖			1,5	0,07		30	26				
FX3106⊕V20⊖			2	0,1		22	20				
FX3106⊕V25⊖			2,5	0,15		16	14				
FX3106⊕V30⊖			3	0,25		15	10				
FX3106⊕V35⊖			3,5	0,32		10	8				
FX3106⊕V40⊖			4	0,36		8	5				
FX3106⊕V45⊖			4,5	0,41		6,5	3,5				
FX3106⊕V52⊖			5,2	0,47		4	1,8				
FX3106⊕V64⊖	6,4	0,64	3	1							

**N.B. The solenoid valve is suited for intercepting only fluids that are NOT potentially explosive.**

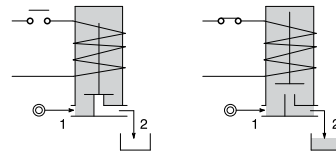
Example: FX3106⊕V52⊖ => FX3106DV52A60:

2-way solenoid valve normally closed, direct acting poppet type with certified housing: Ex d IIC T6 or T5 or T4 Gb, with G connection (ISO 228) 1/2", FPM seals, 5,2 mm orifice, solenoid coil 12 VDC (A60).

**Pneumatic symbol**



**Diagram**



Construction characteristics	Technical characteristics	
- Brass body - Red light alloy housing - 1/2" NPT electrical connection (M20x1,5 on request) - FPM sealing assemblies	Maximum admitted pressure (bar)	100
<b>OPTIONS (on request):</b> - Chemical nickel plating surface treatment - Stainless steel seat insert (up to Ø4,5) - Stainless steel solenoid coil housing	Maximum fluid viscosity (mm <sup>2</sup> /s)	25cSt
	Ambient temperature (°C)	-40 ... +60
	Mounting position	Vertical with solenoid coil upwards
	Weight (g)	660

PNEUMAX FLUID CONTROL

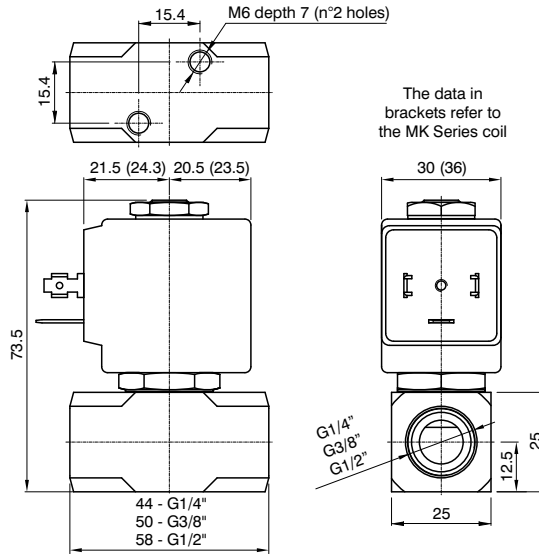


**บริษัท ฟลูเทค จำกัด  
FLU-TECH CO.,LTD**

845/3-4 หมู่ 3 ต.เทพารักษ์ ต.เทพารักษ์ อ.เมือง จ.สมุทรปราการ 10270  
845/3-4 Thepharak RD., T.Thepharak, A.Muang, Samutprakarn 10270 THAILAND  
Tel. 0 2384 6060, Fax 0 2384 5701, Email : sales@flutech.co.th, www.flutech.co.th



**F3110 - 2-way solenoid valve N.C. stainless steel body, with G connection (ISO 228) - 1/4" ... 1/2"**



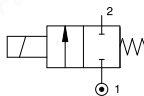
CODE "V" = FPM seals	G connection (ISO 228) ⊕ = Connection			Orifice (mm)	KV (m <sup>3</sup> /h)	Differential pressure (bar)		Power consumption			⊕ = Solenoid coil		Temperature range (°C)	
	B	C	D			Min	Max	AC Inrush (VA)	AC Holding (VA)	DC (W)	Series	Size		
														AC
F3110CV10B	1/4"	3/8"	1/2"	1	0,04	0	80	80	20	15	10	MG	30	-10 ... +140
F3110CV12B				1,2	0,05		60	60						
F3110CV15B				1,5	0,07		30	26						
F3110CV20B				2	0,1		22	20						
F3110CV25B				2,5	0,15		16	14						
F3110CV30B				3	0,25		15	10						
F3110CV35B				3,5	0,32		10	8						
F3110CV40B				4	0,36		8	5						
F3110CV45B				4,5	0,41		6,5	3,5						
F3110CV52B				5,2	0,47		4	1,8						
F3110CV64B	6,4	0,64	3	1										
F3110CV10B	1/4"	3/8"	1/2"	1	0,04	0	100	100	40	30	27	MK	36	-10 ... +140
F3110CV12B				1,2	0,05		100	100						
F3110CV15B				1,5	0,07		80	80						
F3110CV20B				2	0,1		50	40						
F3110CV25B				2,5	0,15		35	33						
F3110CV30B				3	0,25		25	24						
F3110CV35B				3,5	0,32		20	19						
F3110CV40B				4	0,36		16	15						
F3110CV45B				4,5	0,41		14	13						
F3110CV52B				5,2	0,47		10	9						
F3110CV64B	6,4	0,64	5	4,5										

**N.B. For use with steam, maximum admitted pressure PS is 9 bar (relative pressure) with seals in PTFE and 2.5 bar with seals in EPDM.**

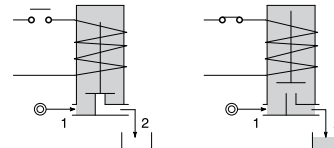
Example: F3110CV25B => F3110BV25MG5:

2-way solenoid valve normally closed, direct acting poppet type with G connection (ISO 228) 1/4", FPM seals, 2,5 mm orifice, solenoid coil 24 VDC (MG5, size 30 for more information, please refer to the section "Solenoid coils - Series F300").

**Pneumatic symbol**



**Diagram**



**Construction characteristics**

- AISI 303 stainless steel body
- AISI 303 stainless steel guide tube
- AISI 430FR stainless steel mobile and fixed core
- AISI 302 stainless steel springs
- FPM sealing assemblies

**OPTIONS (on request):**

- Silver advance ring
- For use with oxygen
- certified solenoid coils
- Versions for use with fluid temperature at -40 °C
- PTFE - EPDM seals

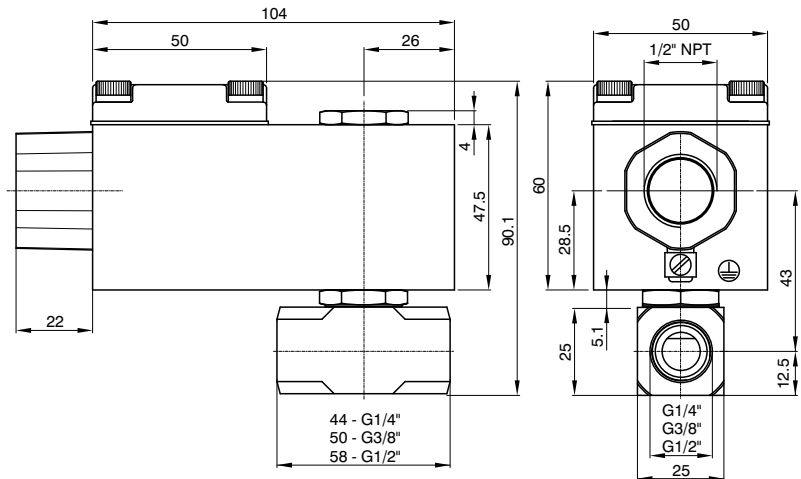
**Technical characteristics**

Maximum admitted pressure (bar)	100
Maximum fluid viscosity (mm <sup>2</sup> /s)	25cSt
Ambient temperature: with class F solenoid coil (°C)	-10 ... +55
Ambient temperature: with class H solenoid coil (°C)	-10 ... +80
Mounting position	Indifferent
Weight (g) with solenoid coil MG series	360
Weight (g) with solenoid coil MK series	440





**FX3110 - 2-way solenoid valve N.C. stainless steel body, with G connection (ISO 228)  
with certified housing: Ex d IIC T6 or T5 or T4 Gb - 1/4" ... 1/2"**



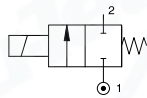
CODE "V" = FPM seals	G connection (ISO 228) ⊕ = Connection			Orifice (mm)	KV (m <sup>2</sup> /h)	Differential pressure (bar)		Power consumption		⊕ = Solenoid coil	Temperature range (°C)	
	B	C	D			Min	Max		AC Holding (VA)			DC (W)
							AC	DC				
FX3110⊕V10⊕	1/4"	3/8"	1/2"	1	0,04	0	80	80	12	8	A6B= 24 Volt (AC 50-60 Hz) A6E= 220/230 Volt (AC 50-60 Hz) A60= 12 Volt (DC) A61= 24 Volt (DC)	-10 ... +80
FX3110⊕V12⊕				1,2	0,05		60	60				
FX3110⊕V15⊕				1,5	0,07		30	26				
FX3110⊕V20⊕				2	0,1		22	20				
FX3110⊕V25⊕				2,5	0,15		16	14				
FX3110⊕V30⊕				3	0,25		15	10				
FX3110⊕V35⊕				3,5	0,32		10	8				
FX3110⊕V40⊕				4	0,36		8	5				
FX3110⊕V45⊕				4,5	0,41		6,5	3,5				
FX3110⊕V52⊕				5,2	0,47		4	1,8				
FX3110⊕V64⊕	6,4	0,64	3,5	1								

**N.B. The solenoid valve is suited for intercepting only fluids that are NOT potentially explosive.**

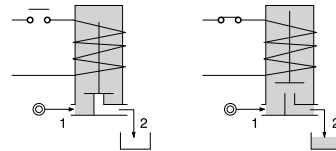
Example: FX3110⊕V52⊕ => FX3110DV52A60:

2-way solenoid valve normally closed, direct acting poppet type with certified housing: Ex d IIC T6 or T5 or T4 Gb, with G connection (ISO 228) 1/2", FPM seals, 5,2 mm orifice, solenoid coil 12 VDC (A60).

Pneumatic symbol



Diagram



Construction characteristics	Technical characteristics	
- AISI 303 stainless steel body	Maximum admitted pressure (bar)	100
- AISI 303 stainless steel guide tube	Maximum fluid viscosity (mm <sup>2</sup> /s)	25cSt
- AISI 302 stainless steel springs	Ambient temperature (°C)	-40 ... +60
- Red light alloy or stainless steel housing	Mounting position	Vertical with solenoid coil upwards
- 1/2" NPT electrical connection (M20x1,5 on request)	Weight (g)	660
- FPM sealing assemblies		



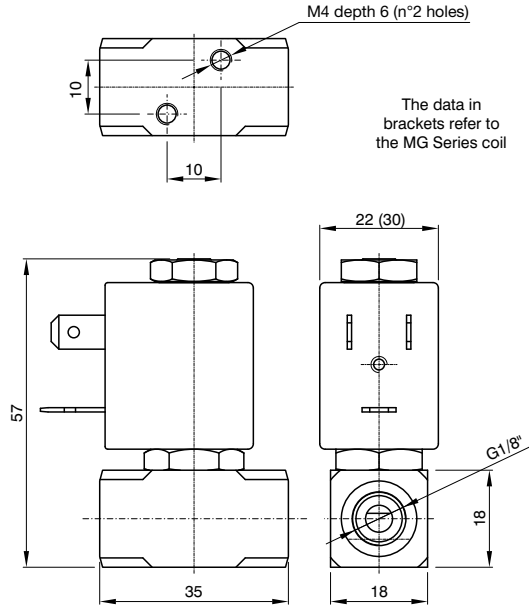
บริษัท ฟลูเทค จำกัด  
FLU-TECH CO.,LTD

845/3-4 หมู่ 3 ต.เทพารักษ์ ต.เทพารักษ์ อ.เมือง จ.สมุทรปราการ 10270  
845/3-4 Thepharak RD., T.Thepharak, A.Muang, Samutprakarn 10270 THAILAND  
Tel. 0 2384 6060, Fax 0 2384 5701, Email : sales@flutech.co.th, www.flutech.co.th





**F3111 - 2-way solenoid valve N.C. stainless steel body, with G connection (ISO 228) - 1/8"**



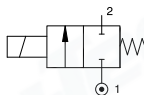
CODE "V" = FPM seals	G connection (ISO 228) ⊕ = Connection	Orifice (mm)	KV (m <sup>3</sup> /h)	Differential pressure (bar)				Power consumption			⊕ = Solenoid coil		Temperature range (°C)
				Min	Max		AC Inrush (VA)	AC Holding (VA)	DC (W)	Series	Size		
					AC	DC							
F3111⊕V12⊕	1/8"	1,2	0,04	0	25	25	12	8	6,5	MI	22	-10 ... +140	
F3111⊕V15⊕		1,5	0,06		16	16							
F3111⊕V20⊕		2	0,09		12	10							
F3111⊕V25⊕		2,5	0,14		8	5,5							
F3111⊕V31⊕		3,1	0,19		5	2							
F3111⊕V20⊕	1/8"	2	0,09	25	15	15	11	5	MG	30			
F3111⊕V25⊕		2,5	0,14	16	8								
F3111⊕V31⊕		3,1	0,19	8	4								

**N.B.** For use with steam maximum admitted pressure PS is 2,5 bar (relative pressure).

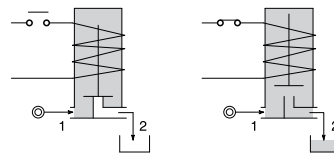
Example: F3111⊕V25⊕ => F3111AV25MI58:

2-way solenoid valve normally closed, direct acting poppet type with G connection (ISO 228) 1/8", FPM seals, 2,5 mm orifice, solenoid coil 230 VAC (50-60 Hz) (MI58, size 22 for more information, please refer to the section "Solenoid coils - Series F300").

**Pneumatic symbol**



**Diagram**



**Construction characteristics**

- AISI 303 stainless steel body
- AISI 303 stainless steel guide tube
- AISI 430FR stainless steel mobile and fixed core
- AISI 302 stainless steel springs
- FPM sealing assemblies

**OPTIONS (on request):**

- Silver advance ring
- For use with oxygen
- XME solenoid coil for potentially explosive environments to ATEX standards - Ex mb IIC
- CE certified solenoid coils
- Versions for use with fluid temperature at -40 °C

**Technical characteristics**

Maximum admitted pressure (bar)	50
Maximum fluid viscosity (mm <sup>2</sup> /s)	25cSt
Ambient temperature: with class F solenoid coil (°C)	-10 ... +55
Mounting position	Indifferent
Weight (g) with solenoid coil MI series	150
Weight (g) with solenoid coil MG series	200

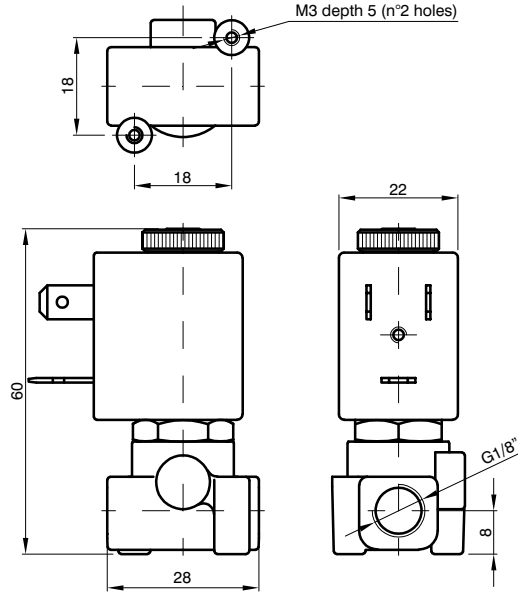




**F3115 - 2-way solenoid valve brass body, with G connection (ISO 228) bistable impulse drive - 1/8"**



The bistable function is achieved by the use of a polarized permanent magnet energizing the coil with a DC current for at least 15ms in the reverse direction of the preceding impulse.

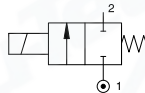


CODE "V" = FPM seals	G connection (ISO 228) ⊕ = Connection	Orifice (mm)	KV (m³/h)	Differential pressure (bar)		Power consumption DC (W)	⊕ = Solenoid coil		Temperature range (°C)
				Min	Max		Series	Size	
F3115⊕V12⊕	1/8"	1,2	0,04	0	12	2	MI/DC	22	-10 ... +120
F3115⊕V15⊕					8	2			
F3115⊕V20⊕					20	5			
					3	2			
F3115⊕V25⊕					12	5			
					1	2			
F3115⊕V31⊕					5	5			
					8	6,5			
					2	5			

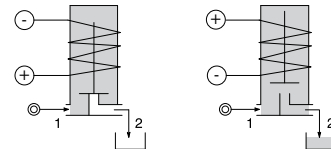
Example: F3115⊕V25⊕ => F3115AV25MI5:

2-way solenoid valve, direct acting poppet type with G connection (ISO 228) 1/8", FPM seals, 2,5 mm orifice, solenoid coil 24 VDC (MI5, size 22 for more information, please refer to the section "Solenoid coils - Series F300").

**Pneumatic symbol**



**Diagram**

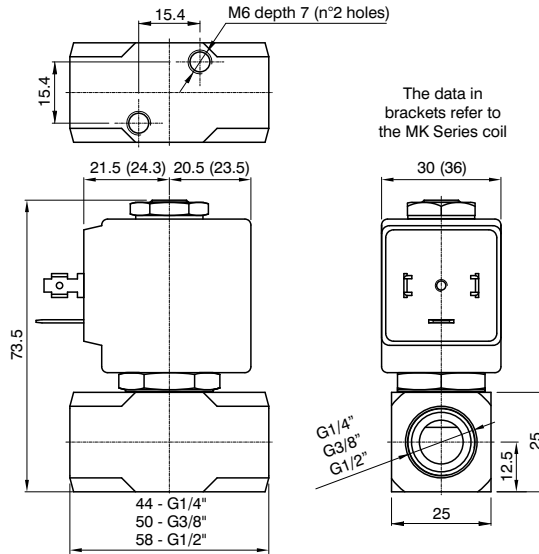


Construction characteristics	Technical characteristics	
<ul style="list-style-type: none"> <li>- Brass body</li> <li>- Brass guide tube</li> <li>- AISI 430FR stainless steel mobile and fixed core</li> <li>- AISI 302 stainless steel springs</li> <li>- FPM sealing assemblies</li> </ul> <b>OPTIONS (on request):</b> <ul style="list-style-type: none"> <li>- Chemical nickel plating surface treatment</li> <li>- Stainless steel guide tube</li> <li>- XME solenoid coil for potentially explosive environments to ATEX standards - Ex mb IIC</li> </ul>	Maximum admitted pressure (bar)	50
	Maximum fluid viscosity (mm²/s)	25cSt
	Ambient temperature: with class F solenoid coil (°C)	-10 ... +55
	Mounting position	Indifferent
	Weight (g)	140





**F3170 - 2-way solenoid valve N.C. stainless steel body, with G connection (ISO 228) - 1/4" ... 1/2"**



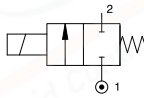
CODE "V" = FPM seals	G connection (ISO 228) ⊕ = Connection			Orifice (mm)	KV (m³/h)	Differential pressure (bar)			Power consumption			⊕ = Solenoid coil		Temperature range (°C)
	B	C	D			Min	Max		AC Inrush (VA)	AC Holding (VA)	DC (W)	Series	Size	
							AC	DC						
F3170CV10B	1/4"	3/8"	1/2"	1	0,04	0	80	80	20	15	10	MG	30	-10 ... +140
F3170CV12B				1,2	0,05		60	60						
F3170CV15B				1,5	0,07		30	26						
F3170CV20B				2	0,1		22	20						
F3170CV25B				2,5	0,15		16	14						
F3170CV30B				3	0,25		15	10						
F3170CV35B				3,5	0,32		10	8						
F3170CV40B				4	0,36		8	5						
F3170CV45B				4,5	0,41		6,5	3,5						
F3170CV10B	1/4"	3/8"	1/2"	1	0,04	100	100	40	30	27	MK	36		
F3170CV12B				1,2	0,05	100	100							
F3170CV15B				1,5	0,07	80	80							
F3170CV20B				2	0,1	50	40							
F3170CV25B				2,5	0,15	35	33							
F3170CV30B				3	0,25	25	24							
F3170CV35B				3,5	0,32	20	19							
F3170CV40B				4	0,36	16	15							
F3170CV45B				4,5	0,41	14	13							

**N.B. For use with steam, maximum admitted pressure PS is 9 bar (relative pressure) with seals in PTFE and 2.5 bar with seals in EPDM.**

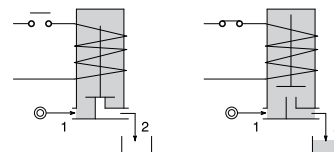
Example: F3170CV25B => F3170BV25MG5:

2-way solenoid valve normally closed, direct acting poppet type with G connection (ISO 228) 1/4", FPM seals, 2,5 mm orifice, solenoid coil 24 VDC (MG5, size 30 for more information, please refer to the section "Solenoid coils - Series F300").

**Pneumatic symbol**



**Diagram**



**Construction characteristics**

- AISI 316 stainless steel body
- AISI 316 stainless steel guide tube
- AISI 430FR stainless steel mobile and fixed core
- AISI 316 stainless steel springs
- Silver advance ring
- FPM sealing assemblies

**OPTIONS (on request):**

- For use with oxygen
- certified solenoid coils
- Versions for use with fluid temperature at -40 °C
- PTFE - EPDM seals

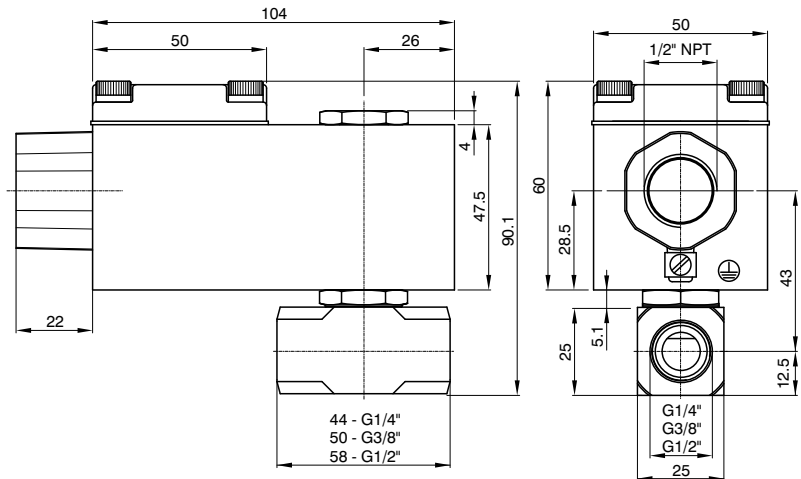
**Technical characteristics**

Maximum admitted pressure (bar)	100
Maximum fluid viscosity (mm²/s)	25cSt
Ambient temperature: with class F solenoid coil (°C)	-10 ... +55
Ambient temperature: with class H solenoid coil (°C)	-10 ... +80
Mounting position	Indifferent
Weight (g) with solenoid coil MG series	360
Weight (g) with solenoid coil MK series	440





**FX3170 - 2-way solenoid valve N.C. stainless steel body, with G connection (ISO 228)  
with certified housing: Ex d IIC T6 or T5 or T4 Gb - 1/4" ... 1/2"**



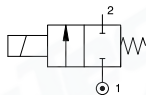
CODE "V" = FPM seals	G connection (ISO 228) ⊕ = Connection			Orifice (mm)	KV (m <sup>2</sup> /h)	Differential pressure (bar)		Power consumption		⊕ = Solenoid coil	Temperature range (°C)	
	B	C	D			Min	Max	AC Holding (VA)	DC (W)			
FX3170⊕V10⊕	1/4"	3/8"	1/2"	1	0,04	0	80	80	12	8	A6B= 24 Volt (AC 50-60 Hz) A6E= 220/230 Volt (AC 50-60 Hz) A60= 12 Volt (DC) A61= 24 Volt (DC)	-10 ... +80
FX3170⊕V12⊕				1,2	0,05		60	60				
FX3170⊕V15⊕				1,5	0,07		30	26				
FX3170⊕V20⊕				2	0,1		22	20				
FX3170⊕V25⊕				2,5	0,15		16	14				
FX3170⊕V30⊕				3	0,25		15	10				
FX3170⊕V35⊕				3,5	0,32		10	8				
FX3170⊕V40⊕				4	0,36		8	5				
FX3170⊕V45⊕				4,5	0,41		6,5	3,5				

**N.B. The solenoid valve is suited for intercepting only fluids that are NOT potentially explosive.**

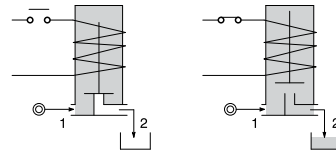
Example: FX3170⊕V45⊕ => FX3170DV45A60:

2-way solenoid valve normally closed, direct acting poppet type with certified housing: Ex d IIC T6 or T5 or T4 Gb, with G connection (ISO 228) 1/2", FPM seals, 4,5 mm orifice, solenoid coil 12 VDC (A60).

**Pneumatic symbol**



**Diagram**



**Construction characteristics**

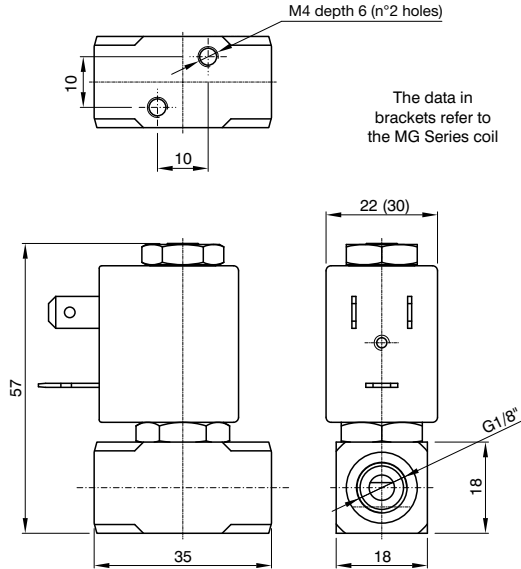
- AISI 316 stainless steel body
- AISI 316 stainless steel guide tube
- AISI 430FR stainless steel mobile and fixed core
- Silver advance ring
- AISI 316 stainless steel springs
- Red light alloy or stainless steel housing
- 1/2" NPT electrical connection (M20x1,5 on request)
- FPM sealing assemblies

**Technical characteristics**

Maximum admitted pressure (bar)	100
Maximum fluid viscosity (mm <sup>2</sup> /s)	25cSt
Ambient temperature (°C)	-40 ... +60
Mounting position	Vertical with solenoid coil upwards
Weight (g)	660



**F3171 - 2-way solenoid valve N.C. stainless steel body, with G connection (ISO 228) - 1/8"**



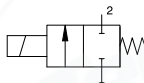
CODE "V" = FPM seals	G connection (ISO 228) ⊕ = Connection	Orifice (mm)	KV (m³/h)	Differential pressure (bar)		Power consumption			⊕ = Solenoid coil		Temperature range (°C)	
				Min	Max	AC Inrush (VA)	AC Holding (VA)	DC (W)	Series	Size		
F3171⊕V12⊕	1/8"	1,2	0,04	0	25	25	12	8	6,5	MI	22	-10 ... +140
F3171⊕V15⊕		1,5	0,06		16	16						
F3171⊕V20⊕		2	0,09		12	10						
F3171⊕V25⊕		2,5	0,14		8	5,5						
F3171⊕V31⊕		3,1	0,19		5	2						
F3171⊕V20⊕	1/8"	2	0,09	25	15	15	11	5	MG	30		
F3171⊕V25⊕		2,5	0,14	16	8							
F3171⊕V31⊕		3,1	0,19	8	4							

**N.B. For use with steam maximum admitted pressure PS is 2,5 bar (relative pressure).**

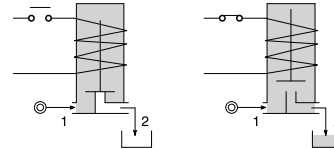
Example: F3171⊕V25⊕ => F3171AV25MI58:

2-way solenoid valve normally closed, direct acting poppet type with G connection (ISO 228) 1/8", FPM seals, 2,5 mm orifice, solenoid coil 230 VAC (50-60 Hz) (MI58, size 22 for more information, please refer to the section "Solenoid coils - Series F300").

**Pneumatic symbol**



**Diagram**



**Construction characteristics**

- AISI 316 stainless steel body
- AISI 316 stainless steel guide tube
- AISI 430FR stainless steel mobile and fixed core
- Silver advance ring
- AISI 316 stainless steel springs
- FPM sealing assemblies

**OPTIONS (on request):**

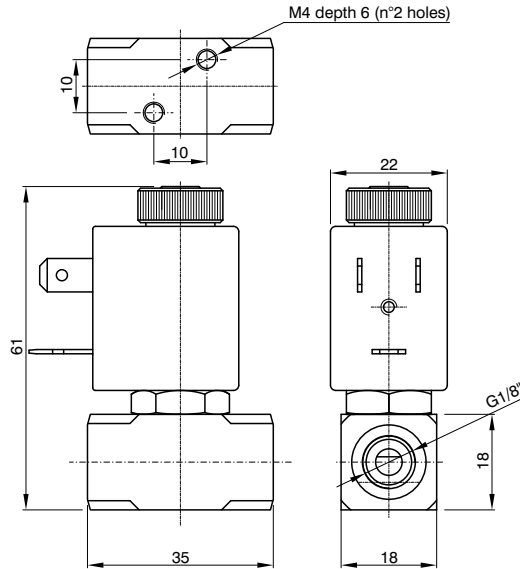
- For use with oxygen
- XME solenoid coil for potentially explosive environments to ATEX standards - Ex mb IIC
- ATEX certified solenoid coils
- Versions for use with fluid temperature at -40 °C

**Technical characteristics**

Maximum admitted pressure (bar)	50
Maximum fluid viscosity (mm²/s)	25cSt
Ambient temperature: with class F solenoid coil (°C)	-10 ... +55
Mounting position	Indifferent
Weight (g) with solenoid coil MI series	150
Weight (g) with solenoid coil MG series	200



**F3271 - 2-way solenoid valve N.O. stainless steel body, with G connection (ISO 228) - 1/8"**



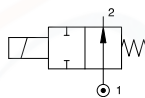
CODE "V" = FPM seals	G connection (ISO 228) ⊕ = Connection	Orifice (mm)	KV (m <sup>3</sup> /h)	Differential pressure (bar)		Power consumption			⊕ = Solenoid coil		Temperature range (°C)	
	A			Min	Max		AC Inrush (VA)	AC Holding (VA)	DC (W)	Series		Size
					AC	DC						
F3271⊕V12⊕	1/8"	1,2	0,04	0	19	19	12	8	6,5	MI	22	-10 ... +140
F3271⊕V15⊕		1,5	0,06		14	14						
F3271⊕V20⊕		2	0,09		8	8						
F3271⊕V25⊕		2,5	0,14		4,5	4,5						
F3271⊕V31⊕		3,1	0,19		2,5	2,5						

**N.B. For use with steam maximum admitted pressure PS is 2,5 bar (relative pressure).**

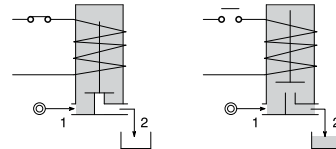
Example: F3271⊕V25⊕ => F3271AV25MI58:

2-way solenoid valve normally open, direct acting poppet type with G connection (ISO 228) 1/8", FPM seals, 2,5 mm orifice, solenoid coil 230 VAC (50-60 Hz) (MI58, size 22 for more information, please refer to the section "Solenoid coils - Series F300").

**Pneumatic symbol**



**Diagram**

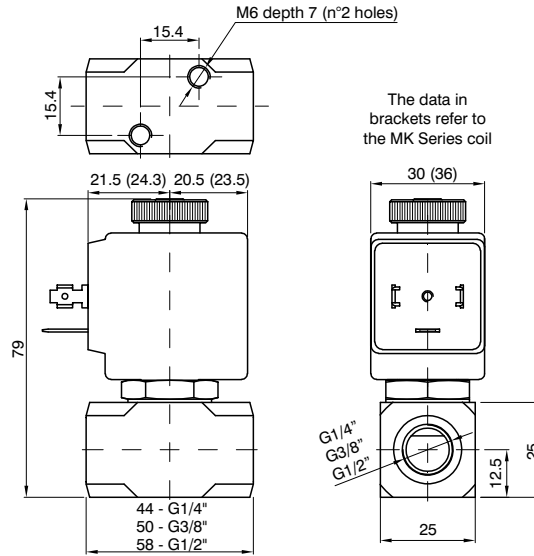


Construction characteristics	Technical characteristics	
<ul style="list-style-type: none"> <li>- AISI 316 stainless steel body</li> <li>- AISI 316 stainless steel guide tube</li> <li>- AISI 430FR stainless steel mobile and fixed core</li> <li>- Silver advance ring</li> <li>- AISI 316 stainless steel springs</li> <li>- FPM sealing assemblies</li> </ul> <b>OPTIONS (on request):</b> <ul style="list-style-type: none"> <li>- For use with oxygen</li> <li>- XME solenoid coil for potentially explosive environments to ATEX standards - Ex mb IIC</li> <li>-  certified solenoid coils</li> <li>- Versions for use with fluid temperature at -40 °C</li> </ul>	Maximum admitted pressure (bar)	50
	Maximum fluid viscosity (mm <sup>2</sup> /s)	25cSt
	Ambient temperature: with class F solenoid coil (°C)	-10 ... +55
	Mounting position	Indifferent
	Weight (g)	150





**F3210 - 2-way solenoid valve N.O. stainless steel body, with G connection (ISO 228) - 1/4" ... 1/2"**



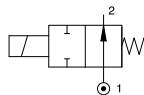
CODE "V" = FPM seals	G connection (ISO 228) ⊕ Connection			Orifice (mm)	KV (m³/h)	Differential pressure (bar)			Power consumption			⊕ = Solenoid coil		Temperature range (°C)		
	B	C	D			Min	Max		AC Inrush (VA)	AC Holding (VA)	DC (W)	Series	Size			
							AC	DC								
F3210⊕V15⊕	1/4"	3/8"	1/2"	1,5	0,07	0	/	/	20	15	/	MG/AC	30	-10 ... +140		
F3210⊕V20⊕				2	0,1										23	17
F3210⊕V25⊕				2,5	0,15										12	12
F3210⊕V30⊕				3	0,25										9	9
F3210⊕V35⊕				3,5	0,32										7	7
F3210⊕V40⊕				4	0,36										5,5	5,5
F3210⊕V45⊕				4,5	0,41										4,5	4,5
F3210⊕V52⊕				5,2	0,47										3	3
F3210⊕V15⊕				1/4"	3/8"										1/2"	1,5
F3210⊕V20⊕	2	0,1	18			11										
F3210⊕V25⊕	2,5	0,15	7			7										
F3210⊕V30⊕	3	0,25	6,5			6,5										
F3210⊕V35⊕	3,5	0,32	4			4										
F3210⊕V40⊕	4	0,36	3,5			3,5										
F3210⊕V45⊕	4,5	0,41	3			3										
F3210⊕V52⊕	5,2	0,47	2,2			2,2										
F3210⊕V15⊕	1/4"	3/8"	1/2"			1,5	0,07	0	/	/	40	30	27			MK (AC/DC)
F3210⊕V20⊕				2	0,1	23	23									
F3210⊕V25⊕				2,5	0,15	17	17									
F3210⊕V30⊕				3	0,25	12	12									
F3210⊕V35⊕				3,5	0,32	9	9									
F3210⊕V40⊕				4	0,36	7	7									
F3210⊕V45⊕				4,5	0,41	5,5	5,5									
F3210⊕V52⊕				5,2	0,47	4,5	4,5									
F3210⊕V64⊕				6,4	0,64	3	3									

**N.B. For use with steam maximum admitted pressure PS is 2,5 bar (relative pressure).**

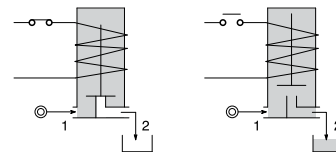
Example: F3210⊕V25⊕ => F3210BV25MG5:

2-way solenoid valve normally open, direct acting poppet type with G connection (ISO 228) 1/4", FPM seals, 2,5 mm orifice, solenoid coil 24 VDC (MG5, size 30 for more information, please refer to the section "Solenoid coils - Series F300").

**Pneumatic symbol**



**Diagram**



**Construction characteristics**

- AISI 303 stainless steel body
- AISI 303 stainless steel guide tube
- AISI 430FR stainless steel mobile and fixed core
- AISI 302 stainless steel springs
- FPM sealing assemblies

**OPTIONS (on request):**

- Silver advance ring
- For use with steam
- Vers
- Man

**Technical characteristics**

Maximum admitted pressure (bar)	50
Maximum fluid viscosity (mm²/s)	25cSt
Ambient temperature: with class F solenoid coil (°C)	-10 ... +55
Ambient temperature: with class H solenoid coil (°C)	-10 ... +80
Mounting position	Indifferent
Weight (g) with solenoid coil MG series	ann

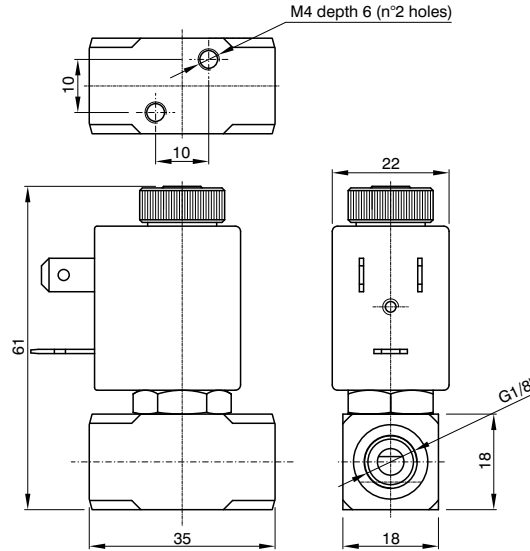


**บริษัท ฟลูเทค จำกัด**  
**FLU-TECH CO.,LTD**

845/3-4 หมู่ 3 ถ.เทพารักษ์ ต.เทพารักษ์ อ.เมือง จ.สมุทรปราการ 10270  
845/3-4 Thepharak RD., T.Thepharak, A.Muang, Samutprakarn 10270 THAILAND  
Tel. 0 2384 6060, Fax 0 2384 5701, Email : sales@flutech.co.th, www.flutech.co.th



**F3211 - 2-way solenoid valve N.O. stainless steel body, with G connection (ISO 228) - 1/8"**



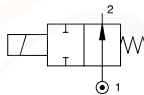
CODE "V" = FPM seals	G connection (ISO 228) ⊕ = Connection A	Orifice (mm)	KV (m <sup>3</sup> /h)	Differential pressure (bar)		Power consumption			⊕ = Solenoid coil		Temperature range (°C)	
				Min	Max	AC Inrush (VA)	AC Holding (VA)	DC (W)	Series	Size		
												AC
F3211⊕V12⊕	1/8"	1,2	0,04	0	19	19	12	8	6,5	MI	22	-10 ... +140
F3211⊕V15⊕		1,5	0,06		14	14						
F3211⊕V20⊕		2	0,09		8	8						
F3211⊕V25⊕		2,5	0,14		4,5	4,5						
F3211⊕V31⊕		3,1	0,19		2,5	2,5						

**N.B. For use with steam maximum admitted pressure PS is 2,5 bar (relative pressure).**

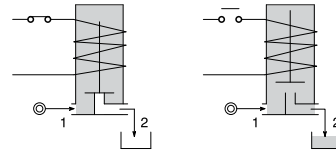
Example: F3211⊕V25⊕ => F3211AV25MI58:

2-way solenoid valve normally open, direct acting poppet type with G connection (ISO 228) 1/8", FPM seals, 2,5 mm orifice, solenoid coil 230 VAC (50-60 Hz) (MI58, size 22 for more information, please refer to the section "Solenoid coils - Series F300").

**Pneumatic symbol**



**Diagram**



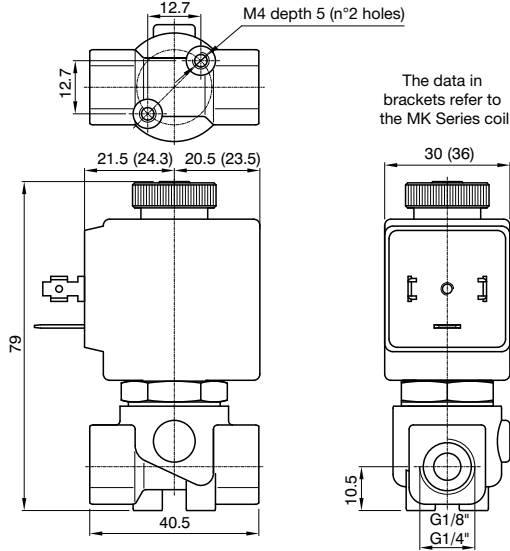
Construction characteristics	Technical characteristics	
<ul style="list-style-type: none"> <li>- AISI 303 stainless steel body</li> <li>- AISI 303 stainless steel guide tube</li> <li>- AISI 430FR stainless steel mobile and fixed core</li> <li>- AISI 302 stainless steel springs</li> <li>- FPM sealing assemblies</li> </ul> <b>OPTIONS (on request):</b> <ul style="list-style-type: none"> <li>- XME solenoid coil for potentially explosive environments to ATEX standards - Ex mb IIC</li> <li>- For use with oxygen</li> <li>-  certified solenoid coils</li> <li>- Versions for use with fluid temperature at -40 °C</li> <li>- Manual override</li> </ul>	Maximum admitted pressure (bar)	50
	Maximum fluid viscosity (mm <sup>2</sup> /s)	25cSt
	Ambient temperature: with class F solenoid coil (°C)	-10 ... +55
	Mounting position	Indifferent
	Weight (g)	150







**F3206 - 2-way solenoid valve N.O. brass body, with G connection (ISO 228) - 1/8" and 1/4"**



The data in brackets refer to the MK Series coil

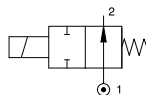
CODE "V" = FPM seals	G connection (ISO 228) ⊕ = Connection		Orifice (mm)	KV (m <sup>3</sup> /h)	Differential pressure (bar)			Power consumption			⊕ = Solenoid coil		Temperature range (°C)	
	A	B			Min	Max		AC Inrush (VA)	AC Holding (VA)	DC (W)	Series	Size		
						AC	DC							
F3206⊕V15⊕	1/8"	1/4"	1,5	0,07	0	23	/	20	15	/	MG/AC	30	-10 ... +140	
F3206⊕V20⊕			2	0,1		17								
F3206⊕V25⊕			2,5	0,15		12								
F3206⊕V30⊕			3	0,25		8								
F3206⊕V35⊕			3,5	0,32		7								
F3206⊕V40⊕			4	0,36		5,5								
F3206⊕V45⊕			4,5	0,41		4,5								
F3206⊕V52⊕			5,2	0,47		3								
F3206⊕V15⊕			1/8"	1/4"		1,5								0,07
F3206⊕V20⊕	2	0,1			11									
F3206⊕V25⊕	2,5	0,15			7									
F3206⊕V30⊕	3	0,25			6,5									
F3206⊕V35⊕	3,5	0,32			4									
F3206⊕V40⊕	4	0,36			3,5									
F3206⊕V45⊕	4,5	0,41			3									
F3206⊕V52⊕	5,2	0,47			2,2									
F3206⊕V15⊕	1/8"	1/4"			1,5	0,07	0	23	23	40	30	27		MK (AC/DC)
F3206⊕V20⊕			2	0,1	17	17								
F3206⊕V25⊕			2,5	0,15	12	12								
F3206⊕V30⊕			3	0,25	8	8								
F3206⊕V35⊕			3,5	0,32	7	7								
F3206⊕V40⊕			4	0,36	5,5	5,5								
F3206⊕V45⊕			4,5	0,41	4,5	4,5								
F3206⊕V52⊕			5,2	0,47	3	3								
F3206⊕V64⊕			6,4	0,64	3,5	3,5								

**N.B. For use with steam maximum admitted pressure PS is 2,5 bar (relative pressure).**

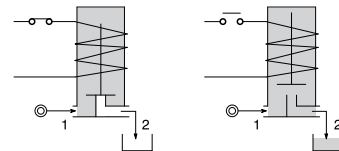
Example: F3206⊕V25⊕ => F3206BV25MG5:

2-way solenoid valve normally open, direct acting poppet type with G connection (ISO 228) 1/4", FPM seals, 2,5 mm orifice, solenoid coil 24 VDC (MG5, size 30 for more information, please refer to the section "Solenoid coils - Series F300").

**Pneumatic symbol**



**Diagram**



**Construction characteristics**

- Brass body
- Brass guide tube
- AISI 430FR stainless steel mobile and fixed core
- AISI 302 stainless steel springs
- FPM sealing assemblies

**OPTIONS (on request):**

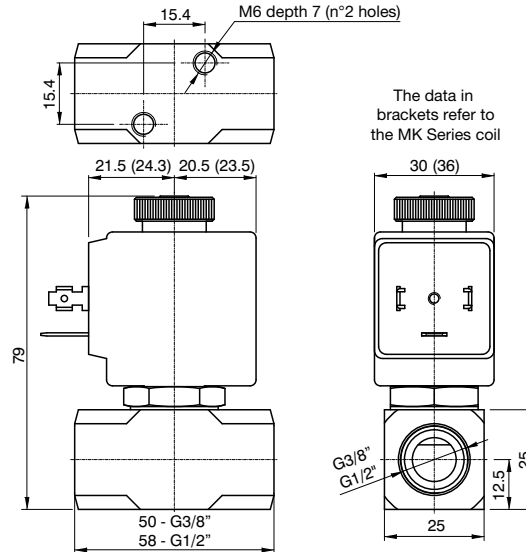
- Stainless steel guide tube
- Chemical nickel plating surface treatment
- certified solenoid coils
- Versions for use with fluid temperature at -40 °C
- Manual override

**Technical characteristics**

Maximum admitted pressure (bar)	50
Maximum fluid viscosity (mm <sup>2</sup> /s)	25cSt
Ambient temperature: with class F solenoid coil (°C)	-10 ... +55
Ambient temperature: with class H solenoid coil (°C)	-10 ... +80
Mounting position	Indifferent
Weight (g) with solenoid coil MG series	300
Weight (g) with solenoid coil MK series	380



**F3206 - 2-way solenoid valve N.O. brass body, with G connection (ISO 228) - 3/8" and 1/2"**



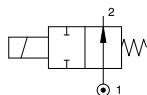
CODE "V" = FPM seals	G connection (ISO 228) ⊕ = Connection		Orifice (mm)	KV (m <sup>2</sup> /h)	Differential pressure (bar)		Power consumption			⊕ = Solenoid coil		Temperature range (°C)	
	C	D			Min	Max		AC Inrush (VA)	AC Holding (VA)	DC (W)	Series		Size
						AC	DC						
F3206⊕V15⊕	3/8"	1/2"	1,5	0,07	0	23	/	20	15	/	MG/AC	30	
F3206⊕V20⊕			2	0,1		17							
F3206⊕V25⊕			2,5	0,15		12							
F3206⊕V30⊕			3	0,25		9							
F3206⊕V35⊕			3,5	0,32		7							
F3206⊕V40⊕			4	0,36		5,5							
F3206⊕V45⊕			4,5	0,41		4,5							
F3206⊕V52⊕			5,2	0,47		3							
F3206⊕V15⊕	3/8"	1/2"	1,5	0,07	0	18	/	/	10	MG/DC	30	-10 ... +140	
F3206⊕V20⊕			2	0,1		11							
F3206⊕V25⊕			2,5	0,15		7							
F3206⊕V30⊕			3	0,25		6,5							
F3206⊕V35⊕			3,5	0,32		4							
F3206⊕V40⊕			4	0,36		3,5							
F3206⊕V45⊕			4,5	0,41		3							
F3206⊕V52⊕			5,2	0,47		2,2							
F3206⊕V15⊕	3/8"	1/2"	1,5	0,07	0	23	/	/	/	MK (AC/DC)	36	-10 ... +140	
F3206⊕V20⊕			2	0,1		17							
F3206⊕V25⊕			2,5	0,15		12							
F3206⊕V30⊕			3	0,25		9							
F3206⊕V35⊕			3,5	0,32		7							
F3206⊕V40⊕			4	0,36		5,5							
F3206⊕V45⊕			4,5	0,41		4,5							
F3206⊕V52⊕			5,2	0,47		3							
F3206⊕V64⊕	6,4	0,64	3,5										

**N.B. For use with steam maximum admitted pressure PS is 2,5 bar (relative pressure).**

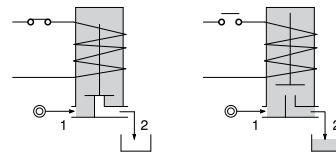
Example: F3206⊕V25⊕ => F3206DV25MG5:

2-way solenoid valve normally open, direct acting poppet type with G connection (ISO 228) 1/2", FPM seals, 2,5 mm orifice, solenoid coil 24 VDC (MG5, size 30 for more information, please refer to the section "Solenoid coils - Series F300").

**Pneumatic symbol**



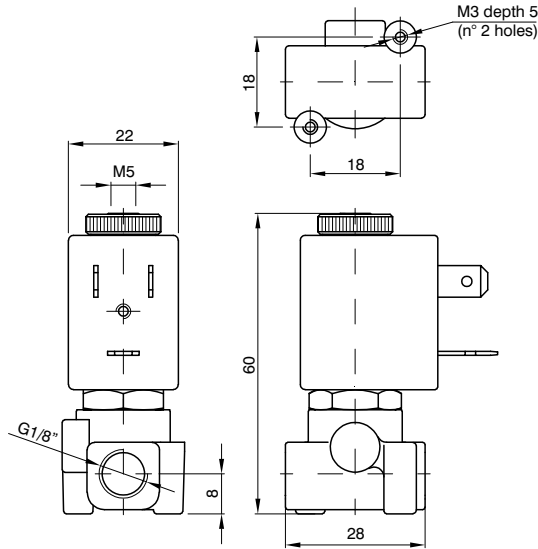
**Diagram**



Construction characteristics	Technical characteristics	
- Brass body	Maximum admitted pressure (bar)	50
- Brass guide tube	Maximum fluid viscosity (mm <sup>2</sup> /s)	25cSt
- AISI 430FR stainless steel mobile and fixed core	Ambient temperature: with class F solenoid coil (°C)	-10 ... +55
- AISI 302 stainless steel springs	Ambient temperature: with class H solenoid coil (°C)	-10 ... +80
- FPM sealing assemblies	Mounting position	Indifferent
<b>OPTIONS (on request):</b>	Weight (g) with solenoid coil MG series	300
- Stainless steel guide tube	Weight (g) with solenoid coil MK series	380
- Chemical nickel plating surface treatment		
- cULus certified solenoid coils		
- Versions for use with fluid temperature at -40 °C		
- Manual override		



**F3305 - 3-way solenoid valve brass body, with G connection (ISO 228) - 1/8"**



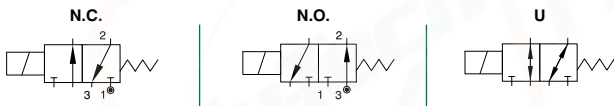
CODE "V" = FPM seals	G connection (ISO 228) ⊕ = Connection	Orifice (mm)		KV (m <sup>3</sup> /h)	Differential pressure (bar)			Power consumption			⊕ = Solenoid coil		Temperature range (°C)
		Inlet	Exhaust		Min	Max		AC Inrush (VA)	AC Holding (VA)	DC (W)	Series	Size	
N.C. - Normally closed													-10 ... +140
F3305CV12B	1/8"	1,2	1,5	0,04	0	15	15	12	8	6,5	MI	22	
F3305CV15B		1,5	1,5	0,06		10	10						
F3305CV20B		2	1,7	0,09		6	6						
N.O. - Normally open													
F3305CV15SB	1/8"	1,5	1,5	0,06	0	10	10	12	8	6,5	MI	22	
F3305CV17SB		1,7	2	0,07		6	6						
U - Universal													
F3305CV15UB	1/8"	1,5	1,5	0,06	0	6	6	12	8	6,5	MI	22	

**N.B. For use with steam maximum admitted pressure PS is 2,5 bar (relative pressure).**

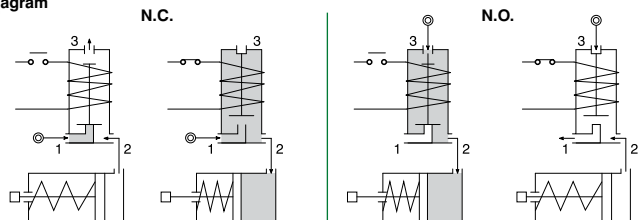
Example: F3305CV12B => F3305AV12MI5:

3-way solenoid valve normally closed, direct acting poppet type with G connection (ISO 228) 1/8", FPM seals, 1,2 mm inlet orifice, solenoid coil 24 VDC (MI5, size 22 for more information, please refer to the section "Solenoid coils - Series F300").

**Pneumatic symbol**



**Diagram**



**Construction characteristics**

- Brass body
- Brass guide tube
- AISI 430FR stainless steel mobile and fixed core
- AISI 302 stainless steel springs
- FPM sealing assemblies

**OPTIONS (on request):**

- Stainless steel guide tube
- Chemical nickel plating surface treatment
- XME solenoid coil for potentially explosive environments to ATEX standards - Ex mb IIC
- CE certified solenoid coils
- Exhaust port with hoesetail connection
- Versions for use with fluid temperature at -40 °C
- Manual override

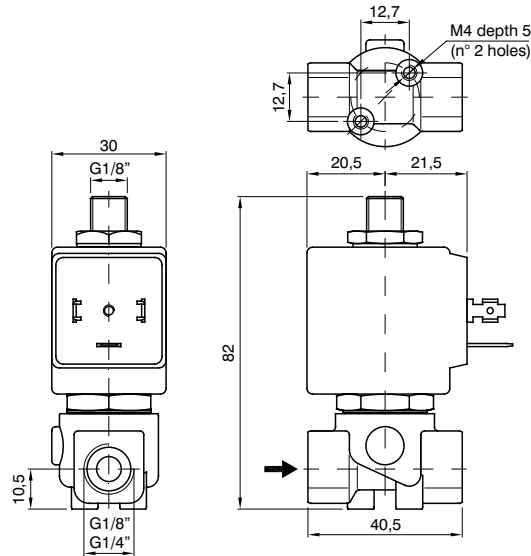
**Technical characteristics**

Maximum admitted pressure (bar)	50
Maximum fluid viscosity (mm <sup>2</sup> /s)	25cSt
Ambient temperature: with class F solenoid coil (°C)	-10 ... +55
Mounting position	Universal
Weight (g)	110





**F3306 - 3-way solenoid valve brass body, with G connection (ISO 228) - 1/8" and 1/4"**



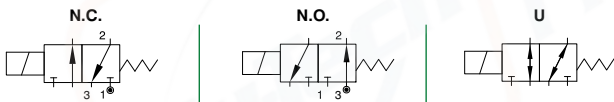
CODE "V" = FPM seals	G connection (ISO 228) ⊙ = Connection		Orifice (mm)		KV (m <sup>3</sup> /h)	Differential pressure (bar)			Power consumption			⊙ = Solenoid coil		Temperature range (°C)	
	A	B	Inlet	Exhaust		Min	Max		AC Inrush (VA)	AC Holding (VA)	DC (W)	Series	Size		
							AC	DC							
N.C. - Normally closed															
F3306⊙V15⊙	1/8"	1/4"	1,5	2,4	0,07	0	20	20	20	15	10	MG	30	-10 ... +140	
F3306⊙V20⊙			2	2,4	0,11		13	13							
F3306⊙V25⊙			2,5	2,4	0,16		10	10							
N.O. - Normally open															
F3306⊙V25S⊙	1/8"	1/4"	2,4	2,5	0,16	0	9	9	20	15	10	MG	30		-10 ... +140
F3306⊙V29S⊙			2,9	3	0,20		6,5	6,5							
U - Universal															
F3306⊙V25U⊙	1/8"	1/4"	2,5	2,4	0,16	0	5	4	20	15	10	MG	30	-10 ... +140	

**N.B. For use with steam maximum admitted pressure PS is 2,5 bar (relative pressure).**

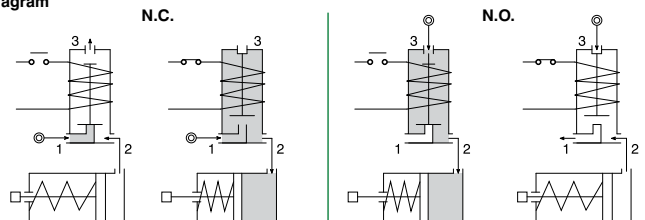
Example: F3306⊙V15⊙ => F3306AV15MG5:

3-way solenoid valve normally closed, direct acting poppet type with G connection (ISO 228) 1/8", FPM seals, 1,5 mm inlet orifice, solenoid coil 24 VDC (MG5, size 30 for more information, please refer to the section "Solenoid coils - Series F300").

**Pneumatic symbol**



**Diagram**

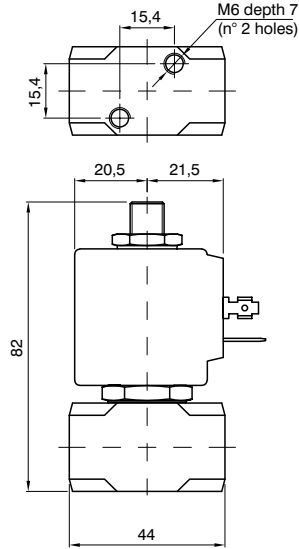
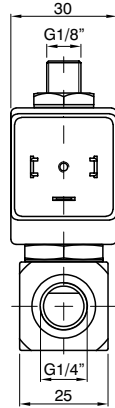


Construction characteristics	Technical characteristics	
<ul style="list-style-type: none"> <li>- Brass body</li> <li>- AISI 303 stainless steel guide tube</li> <li>- AISI 430FR stainless steel mobile and fixed core</li> <li>- AISI 302 stainless steel springs</li> <li>- FPM sealing assemblies</li> </ul> <b>OPTIONS (on request):</b> <ul style="list-style-type: none"> <li>- Manual override</li> <li>- Chemical nickel plating surface treatment</li> <li>-  certified solenoid coils</li> <li>- Versions for use with fluid temperature at -40 °C</li> </ul>	Maximum admitted pressure (bar)	80
	Maximum fluid viscosity (mm <sup>2</sup> /s)	25cSt
	Ambient temperature: with class F solenoid coil (°C)	-10 ... +55
	Mounting position	Indifferent
	Weight (g)	125





**F3310 - 3-way solenoid valve stainless steel body, with G connection (ISO 228) - 1/4"**



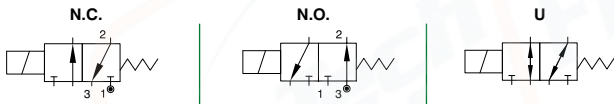
CODE "V" = FPM seals	G connection (ISO 228) ⊕ = Connection	Orifice (mm)		KV (m <sup>3</sup> /h)	Differential pressure (bar)			Power consumption			⊕ = Solenoid coil		Temperature range (°C)
		Inlet	Exhaust		Min	Max		AC Inrush (VA)	AC Holding (VA)	DC (W)	Series	Size	
N.C. - Normally closed													-10 ... +140
F3310⊕V20⊕	1/4"	2	2,4	0,11	0	13	13	20	15	10	MG	30	
F3310⊕V25⊕		2,5	2,4	0,16		10	10						
N.O. - Normally open													
F3310⊕V25S⊕	1/4"	2,4	2,5	0,16	0	9	9	20	15	10	MG	30	
F3310⊕V29S⊕		2,9	3	0,20		6,5	6,5						
U - Universal													
F3310⊕V25U⊕	1/4"	2,5	2,4	0,16	0	5	4	20	15	10	MG	30	

**N.B. For use with steam maximum admitted pressure PS is 2,5 bar (relative pressure).**

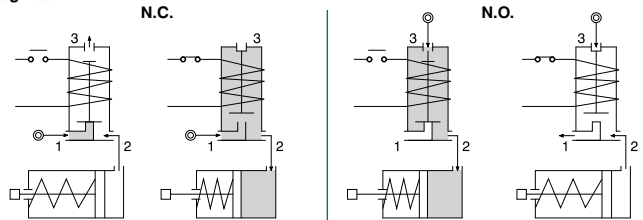
Example: F3310⊕V20⊕ => F3310BV20MG5:

3-way solenoid valve normally closed, direct acting poppet type with G connection (ISO 228) 1/4", FPM seals, 2 mm inlet orifice, solenoid coil 24 VDC (MG5, size 30 for more information, please refer to the section "Solenoid coils - Series F300").

**Pneumatic symbol**



**Diagram**



**Construction characteristics**

- AISI 303 stainless steel body
- AISI 303 stainless steel guide tube
- AISI 430FR stainless steel mobile and fixed core
- AISI 302 stainless steel springs
- FPM sealing assemblies

**OPTIONS (on request):**

- Silver advance ring
- certified solenoid coils
- Versions for use with fluid temperature at -40 °C

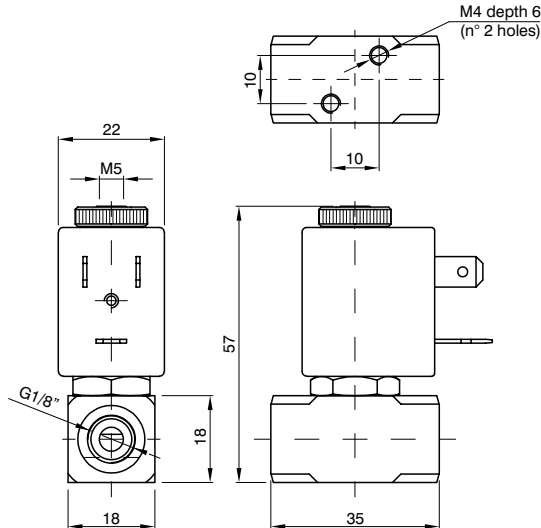
**Technical characteristics**

Maximum admitted pressure (bar)	80
Maximum fluid viscosity (mm <sup>2</sup> /s)	25cSt
Ambient temperature: with class F solenoid coil (°C)	-10 ... +55
Mounting position	Indifferent
Weight (g)	360





**F3311 - 3-way solenoid valve stainless steel body, with G connection (ISO 228) - 1/8"**



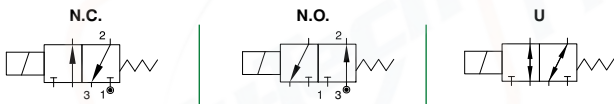
CODE "V" = FPM seals	G connection (ISO 228) ⊕ = Connection	Orifice (mm)		KV (m³/h)	Differential pressure (bar)			Power consumption			⊕ = Solenoid coil		Temperature range (°C)
		Inlet	Exhaust		Min	Max		AC Inrush (VA)	AC Holding (VA)	DC (W)	Series	Size	
						AC	DC						
N.C. - Normally closed													-10 ... +140
F3311⊕V12⊕	1/8"	1,2	1,5	0,04	0	15	15	12	8	6,5	MI	22	
F3311⊕V15⊕		1,5	1,5	0,06		10	10						
F3311⊕V20⊕		2	1,7	0,09		6	6						
N.O. - Normally open													
F3311⊕V15S⊕	1/8"	1,5	1,5	0,06	0	10	10	12	8	6,5	MI	22	
F3311⊕V17S⊕		1,7	2	0,07		6	6						
U - Universal													
F3311⊕V15U⊕	1/8"	1,5	1,5	0,06	0	6	6	12	8	6,5	MI	22	

**N.B. For use with steam maximum admitted pressure PS is 2,5 bar (relative pressure).**

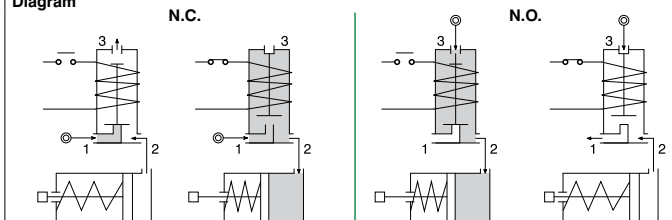
Example: F3311⊕V20⊕ => F3311AV20MI58:

3-way solenoid valve normally closed, direct acting poppet type with G connection (ISO 228) 1/8", FPM seals, 2 mm inlet orifice, solenoid coil 230 VAC (50-60 Hz) (MI58, size 22 for more information, please refer to the section "Solenoid coils - Series F300").

**Pneumatic symbol**



**Diagram**

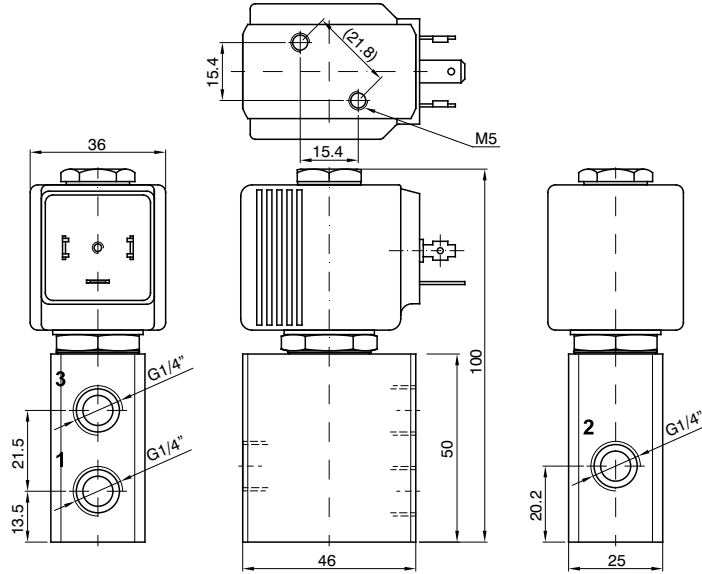


Construction characteristics	Technical characteristics	
<ul style="list-style-type: none"> <li>- AISI 303 stainless steel body</li> <li>- AISI 303 stainless steel guide tube</li> <li>- AISI 430FR stainless steel mobile and fixed core</li> <li>- AISI 302 stainless steel springs</li> <li>- FPM sealing assemblies</li> </ul> <b>OPTIONS (on request):</b> <ul style="list-style-type: none"> <li>- Silver advance ring</li> <li>-  certified solenoid coils</li> <li>- XME solenoid coil for potentially explosive environments to ATEX standards - Ex mb IIC</li> <li>- Exhaust port with hositail connection</li> <li>- Versions for use with fluid temperature at -40 °C</li> </ul>	Maximum admitted pressure (bar)	50
	Maximum fluid viscosity (mm²/s)	25cSt
	Ambient temperature: with class F solenoid coil (°C)	-10 ... +55
	Mounting position	Indifferent
	Weight (g)	150





**F332 - 3-way solenoid valve stainless steel or anodised aluminium body, with G connection (ISO 228) - 1/4"**



CODE "V" = FPM seals	G connection (ISO 228) ⊕ = Connection	Orifice (mm)		KV (m³/h)	Differential pressure (bar)			Power consumption			⊕ = Solenoid coil		Temperature range (°C)
		Inlet	Exhaust		Min	Max		AC Inrush (VA)	AC Holding (VA)	DC (W)	Series	Size	
Anodised aluminium body													-10 ... +140
U - Universal													
F3320⊕V75⊕	1/4"	7,5	7,5	0,64	0	5	5	40	30	27	MK	36	
N.C. - Normally closed													
F3321⊕V75⊕	1/4"	7,5	7,5	0,64	0	9	9	40	30	27	MK	36	
N.O. - Normally open													
F3322⊕V75⊕	1/4"	7,5	7,5	0,64	0	9	9	40	30	27	MK	36	
Stainless steel body													-10 ... +140
U - Universal													
F3323⊕V75⊕	1/4"	7,5	7,5	0,64	0	5	5	40	30	27	MK	36	
N.C. - Normally closed													
F3324⊕V75⊕	1/4"	7,5	7,5	0,64	0	9	9	40	30	27	MK	36	
N.O. - Normally open													
F3325⊕V75⊕	1/4"	7,5	7,5	0,64	0	9	9	40	30	27	MK	36	

Example: F3321⊕V75⊕ => F3321BV75MK5:

3-way solenoid valve normally closed, direct acting poppet type aluminium body with G connection (ISO 228) 1/4", FPM seals, 7,5 mm inlet orifice, solenoid coil 24 VDC (MK5, size 36 for more information, please refer to the section "Solenoid coils - Series F300").

**Pneumatic symbol**

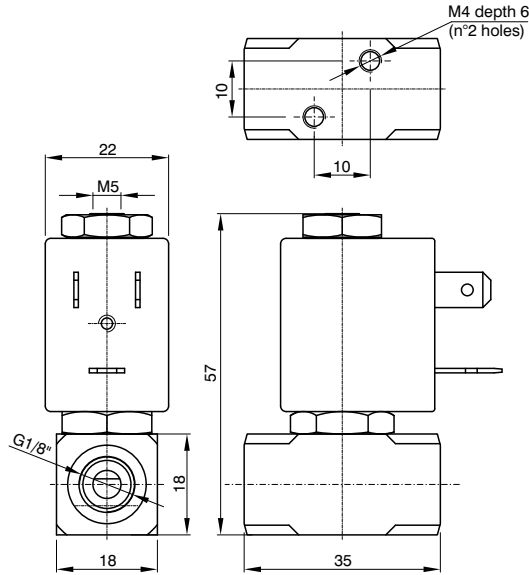


Construction characteristics	Technical characteristics	
- AISI 303 stainless steel or anodised aluminium body	Maximum admitted pressure (bar)	50
- AISI 303 stainless steel guide tube	Maximum fluid viscosity (mm²/s)	25cSt
- AISI 430FR stainless steel mobile and fixed core	Ambient temperature: with class H solenoid coil (°C)	-10 ... +80
- AISI 302 stainless steel springs	Mounting position	Indifferent
- FPM sealing assemblies	Weight (g)	430





**F3371 - 3-way solenoid valve stainless steel body, with G connection (ISO 228) - 1/8"**



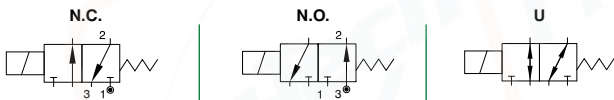
CODE "V" = FPM seals	G connection (ISO 228) ⊕ = Connection	Orifice (mm)		KV (m³/h)	Differential pressure (bar)			Power consumption			⊕ = Solenoid coil		Temperature range (°C)
		Inlet	Exhaust		Min	Max		AC Inrush (VA)	AC Holding (VA)	DC (W)	Series	Size	
						AC	DC						
N.C. - Normally closed													-10 ... +140
F3371⊕V12⊕	1/8"	1,2	1,5	0,04	0	15	15	12	8	6,5	MI	22	
F3371⊕V15⊕		1,5	1,5	0,06		10	10						
F3371⊕V20⊕		2	1,5	0,09		6	6						
N.O. - Normally open													
F3371⊕V15S⊕	1/8"	1,5	1,5	0,06	0	10	10	12	8	6,5	MI	22	
U - Universal													
F3371⊕V15U⊕	1/8"	1,5	1,5	0,06	0	6	6	12	8	6,5	MI	22	

**N.B. For use with steam maximum admitted pressure PS is 2,5 bar (relative pressure).**

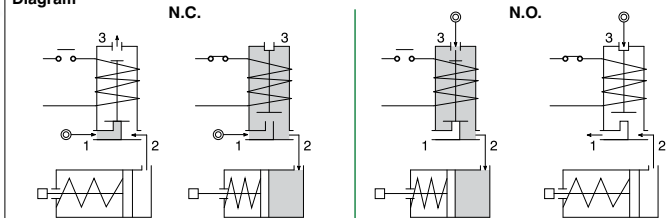
Example: F3371⊕V12⊕ => F3371AV12MI58:

3-way solenoid valve normally closed, direct acting poppet type with G connection (ISO 228) 1/8", FPM seals, 1,2 mm inlet orifice, solenoid coil 230 VAC (50-60 Hz) (MI58, size 22 for more information, please refer to the section "Solenoid coils - Series F300").

**Pneumatic symbol**



**Diagram**



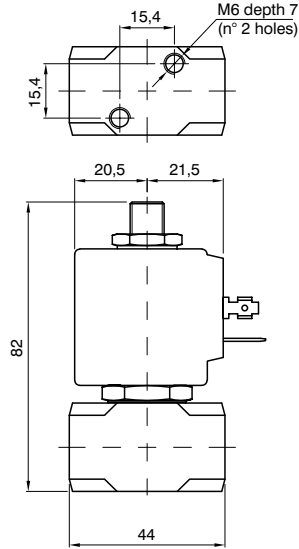
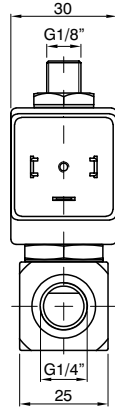
Construction characteristics	Technical characteristics	
<ul style="list-style-type: none"> <li>- AISI 316 stainless steel body</li> <li>- AISI 316 stainless steel guide tube</li> <li>- AISI 430FR stainless steel mobile and fixed core</li> <li>- Silver advance ring</li> <li>- AISI 316 stainless steel springs</li> <li>- FPM sealing assemblies</li> </ul> <b>OPTIONS (on request):</b> <ul style="list-style-type: none"> <li>- XME solenoid coil for potentially explosive environments to ATEX standards - Ex mb IIC</li> <li>- Exhaust port with hoesetail connection</li> <li>-  certified solenoid coils</li> <li>- Versions for use with fluid temperature at -40 °C</li> </ul>	Maximum admitted pressure (bar)	50
	Maximum fluid viscosity (mm²/s)	25cSt
	Ambient temperature: with class F solenoid coil (°C)	-10 ... +55
	Mounting position	Indifferent
	Weight (g)	150







**F3370 - 3-way solenoid valve stainless steel body, with G connection (ISO 228) - 1/4"**



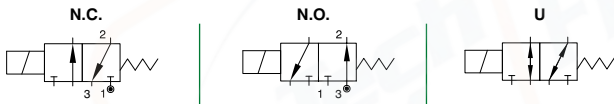
CODE "V" = FPM seals	G connection (ISO 228) ⊕ = Connection	Orifice (mm)		KV (m <sup>3</sup> /h)	Differential pressure (bar)			Power consumption			⊕ = Solenoid coil		Temperature range (°C)
		From 1 to 2	From 2 to 3		Min	Max		AC Inrush (VA)	AC Holding (VA)	DC (W)	Series	Size	
N.C. - Normally closed													-10 ... +140
F3370⊕V15⊕	1/4"	1,5	2,4	0,07	0	16	16	20	15	10	MG	30	
F3370⊕V20⊕		2	2,4	0,11		13	13						
F3370⊕V25⊕		2,5	2,4	0,16		10	10						
N.O. - Normally open													
F3370⊕V24S⊕	1/4"	2,4	2,5	0,16	0	9	9	20	15	10	MG	30	
U - Universal													
F3370⊕V25U⊕	1/4"	2,5	2,4	0,16	0	5	4	20	15	10	MG	30	

**N.B. For use with steam maximum admitted pressure PS is 2,5 bar (relative pressure).**

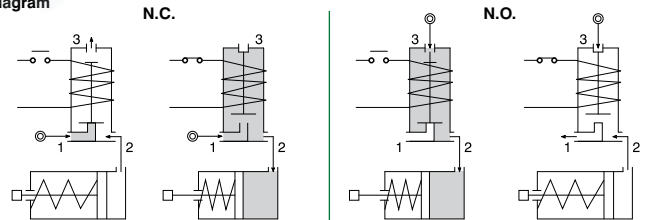
Example: F3370⊕V15⊕ => F3370BV15MG5:

3-way solenoid valve normally closed, direct acting poppet type with G connection (ISO 228) 1/4", FPM seals, 1,5 mm orifice, from 1 to 2, solenoid coil 24 VDC (MG5, size 30 for more information, please refer to the section "Solenoid coils - Series F300").

**Pneumatic symbol**



**Diagram**



**Construction characteristics**

- AISI 316 stainless steel body
- AISI 316 stainless steel guide tube
- AISI 430FR stainless steel mobile and fixed core
- Silver advance ring
- AISI 316 stainless steel springs
- FPM sealing assemblies

**OPTIONS (on request):**

- For use with oxygen
- CE certified solenoid coils
- Versions for use with fluid temperature at -40 °C

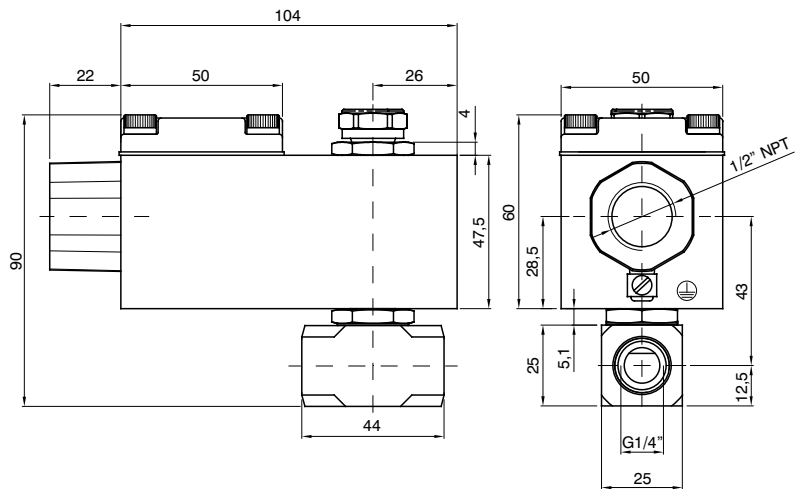
**Technical characteristics**

Maximum admitted pressure (bar)	80
Maximum fluid viscosity (mm <sup>2</sup> /s)	25cSt
Ambient temperature: with class F solenoid coil (°C)	-10 ... +55
Mounting position	Indifferent
Weight (g)	360





**FX3370 - 3-way solenoid valve N.C. stainless steel body, with G connection (ISO 228)  
with certified housing: Ex d IIC T6 or T5 or T4 Gb - 1/4"**



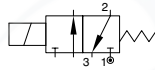
CODE "V" = FPM seals	G connection (ISO 228) ⊙ = Connection		Orifice (mm)		KV (m <sup>3</sup> /h)	Differential pressure (bar)		Power consumption		⊙ = Solenoid coil	Temperature range (°C)
	B	From 1 to 2	From 2 to 3	Min		Max		AC Holding (VA)	DC (W)		
						AC	DC				
FX3370⊙V15⊙	1/4"	1,5	2,4	0,07	0	16	16	12	8	A6B= 24 Volt (AC 50-60 Hz) A6E= 220/230 Volt (AC 50-60 Hz) A60= 12 Volt (DC) A61= 24 Volt (DC)	-10 ... +80
FX3370⊙V20⊙		2	2,4	0,11		13	13				
FX3370⊙V25⊙		2,5	2,4	0,16		10	10				

**N.B. For use with steam maximum admitted pressure PS is 2,5 bar (relative pressure).**

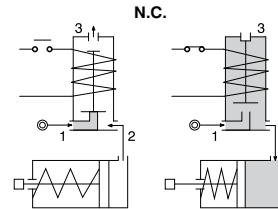
Example: FX3370⊙V15⊙ => FX3370BV15A60:

3-way solenoid valve normally closed, direct acting poppet type with certified housing: Ex d IIC T6 or T5 or T4 Gb, with G connection (ISO 228) 1/4", FPM seals, 1,5 mm orifice, from 1 to 2, solenoid coil 12 VDC (A60).

**Pneumatic symbol**



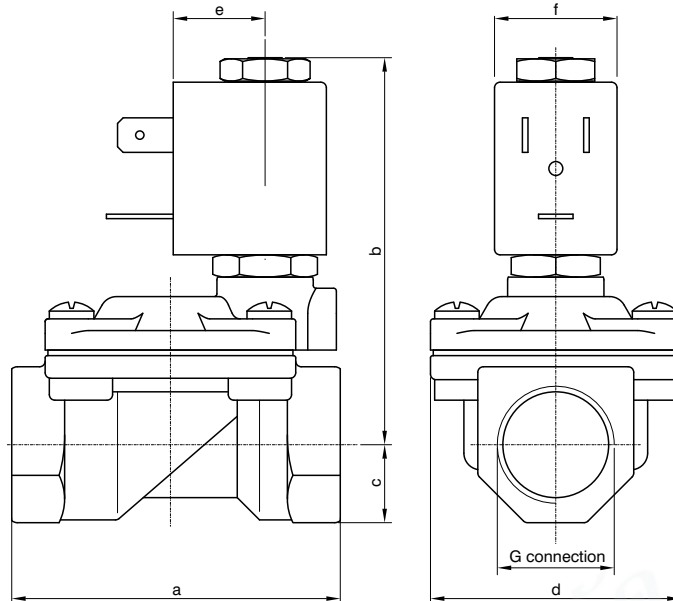
**Diagram**



Construction characteristics	Technical characteristics	
- AISI 316 stainless steel body	Maximum admitted pressure (bar)	80
- AISI 316 stainless steel guide tube	Maximum fluid viscosity (mm <sup>2</sup> /s)	25cSt
- AISI 430FR stainless steel mobile and fixed core	Ambient temperature (°C)	-40 ... +60
- AISI 316 stainless steel springs	Mounting position	Vertical with solenoid coil upwards
- Red light alloy housing	Weight (g)	650
- 1/2" NPT electrical connection (M20x1,5 on request)		
- FPM sealing assemblies		



**F3107 - 2-way solenoid valve N.C. brass body and cover, with G connection (ISO 228) - 1/4" ... 1" 1/4**



CODE "V" = FPM seals	G connection (ISO 228) ⊕ = Connection							Orifice (mm)	KV (m <sup>3</sup> /h)	Differential pressure (bar)			Power consumption			⊕ = Solenoid coil		Temperature range (°C)
	B	C	D	E	F	G	Min			Max		AC Inrush (VA)	AC Holding (VA)	DC (W)	Series	Size		
										AC	DC							
F3107⊕V10⊕	1/4"	/						10	1,5	0,15	15	15	12	8	6,5	MI	22	-10 ... +140
F3107⊕V10⊕	/	3/8"	/					10	1,7		15	15						
F3107⊕V12⊕	/	3/8"	/					12	2,2		15	15						
F3107⊕V12⊕	/	1/2"	/		/			12	2,5		15	15						
F3107⊕V18⊕	/	3/4"		/			18	5,5	13		13							
F3107⊕V25⊕	/	1"		/			25	10,2	10		10							
F3107⊕V30⊕	/	1" 1/4		/			30	15	10		10							

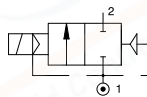
G connection	1/4" Ø10	3/8" Ø10	3/8" Ø12	1/2" Ø12	3/4"	1"	1" 1/4 Ø30
a	49	49	59	59	79	96	119
b	65	65	70	70	76	85	92
c	11	11	14	14	18	20	25
d	32	32	45	45	55	72	85
e	16						
f	22						
Weight (g)	230	240	420	390	650	1050	1700

**N.B. For use with steam maximum admitted pressure PS is 2,5 bar (relative pressure).**

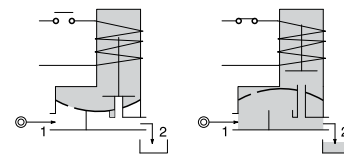
Example: F3107⊕V25⊕ => F3107FV25MI58:

2-way solenoid valve normally closed, servo-assisted diaphragm with G connection (ISO 228) 1", FPM seals, 25 mm orifice, solenoid coil 230 VAC (50-60 Hz) (MI58, size 22 for more information, please refer to the section "Solenoid coils - Series F300").

**Pneumatic symbol**



**Diagram**



**Construction characteristics**

- Brass body and cover
- AISI 303 stainless steel guide tube
- AISI 430FR stainless steel mobile and fixed core
- AISI 302 stainless steel springs
- FPM sealing assemblies

**OPTIONS (on request):**

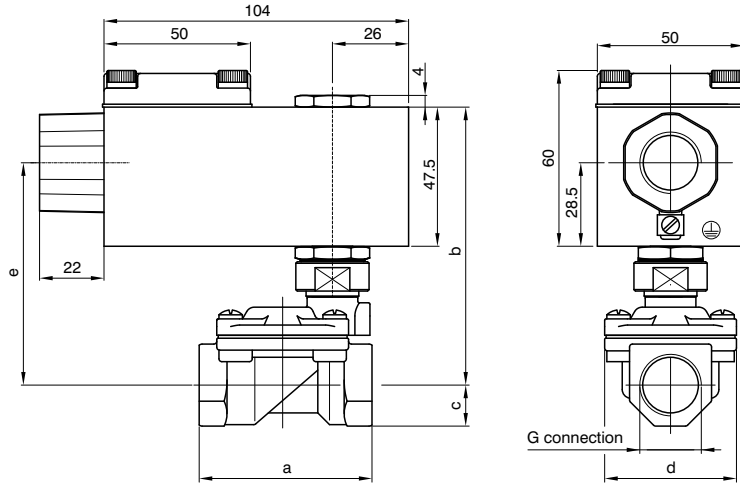
- Manual override
- Chemical nickel plating surface treatment
- Version with slowed commutation
- Version for vacuum (air/gas)
- For use with oxygen
- XME solenoid coil for potentially explosive environments to ATEX standards - Ex mb IIC
- CE certified solenoid coils

**Technical characteristics**

Maximum admitted pressure (bar)	25
Minimum differential pressure (bar)	0,15
Maximum fluid viscosity (mm <sup>2</sup> /s)	25cSt
Ambient temperature: with class F solenoid coil (°C)	-10 ... +55
Mounting position	Preferably with solenoid coil upwards



**FX3107 - 2-way solenoid valve N.C. brass body and cover, with G connection (ISO 228)  
with certified housing: Ex d IIC T6 or T5 or T4 Gb - 1/4" ... 3"**



CODE "V" = FPM seals "B" = NBR seals	G connection (ISO 228) ⊕ = Connection											Orifice (mm)	KV (m³/h)	Differential pressure (bar)			Power consumption		⊕ = Solenoid coil	Temperature range (°C)
	B	C	D	E	F	G	H	I	M	R	Min			Max		AC Holding (VA)	DC (W)			
	AC		DC																	
FX3107⊕V10⊕	1/4"					/						10	1,5	0,15	15	15	12	8	A6B= 24 Volt (AC 50-60 Hz) A6E= 220/230 Volt (AC 50-60 Hz) A60= 12 Volt (DC) A61= 24 Volt (DC)	-10 ... +80
FX3107⊕V10⊕	/	3/8"				/					10	1,7	15		15					
FX3107⊕V12⊕	/	3/8"				/					12	2,2	15		15					
FX3107⊕V12⊕	/	1/2"				/					12	2,5	15		15					
FX3107⊕V18⊕	/	3/4"				/					18	5,5	13		13					
FX3107⊕V25⊕	/		1"			/					25	10,2	10		10					
FX3107⊕V30⊕	/			1" 1/4		/					30	15	10		10					
FX3107⊕V37⊕	/			1" 1/4		/					37	18	10		10					
FX3107⊕V37⊕	/				1" 1/2	/					37	21	10		10					
FX3107⊕V50⊕	/					2"	/				50	36	10		10					
FX3107⊕B75⊕	/						2" 1/2	/			75	75	0,3	5	5					
FX3107⊕B75⊕	/							3"			75	84	0,3	5	5					

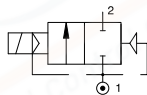
G connection	1/4" Ø10	3/8" Ø10	3/8" Ø12	1/2" Ø12	3/4"	1"	1" 1/4 Ø30	1" 1/4	1" 1/2	2"	2" 1/2	3"
a	49	49	59	59	79	96	119	142	142	158	226	226
b	90	90	95	95	101	110	118	110	110	119	138	138
c	11	11	14	14	18	20	25	28	28	35	51	51
d	32	32	45	45	54	72	85	102	102	119	169	169
e	71	71	76	76	82	91	99	91	91	100	119	119
Weight (g)	720	720	920	920	1100	1500	2270	3330	3120	4720	10400	10000

**N.B. The solenoid valve is suited for intercepting only fluids that are NOT potentially explosive.**

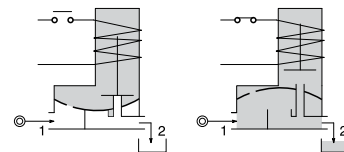
Example: FX3107⊕V10⊕ => FX3107BV10A60:

2-way solenoid valve normally closed, servo-assisted diaphragm with certified housing: Ex d IIC T6 or T5 or T4 Gb, with G connection (ISO 228) 1/4", FPM seals, 10 mm orifice, solenoid coil 12 VDC (A60).

**Pneumatic symbol**



**Diagram**



**Construction characteristics**

- Brass body and cover
- Red light alloy housing
- 1/2" NPT electrical connection (M20x1,5 on request)
- FPM sealing assemblies (NBR only for "M" and "R" versions)

**OPTIONS (on request):**

- Chemical nickel plating surface treatment
- Version with slowed commutation

**Technical characteristics**

Maximum admitted pressure (bar)	25
Minimum differential pressure (bar)	0,15 ... 0,3
Maximum fluid viscosity (mm²/s)	25cSt
Ambient temperature (°C)	-40 ... +60
Mounting position	Vertical with solenoid coil upwards

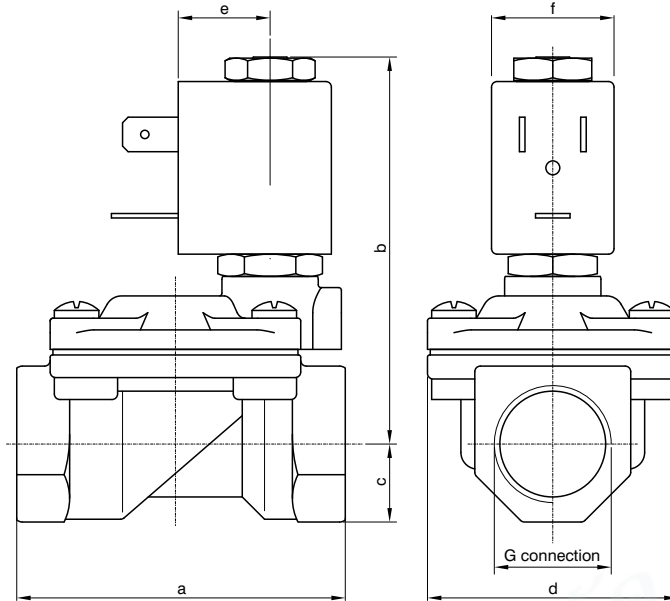


**บริษัท ฟลูเทค จำกัด**  
**FLU-TECH CO.,LTD**

845/3-4 หมู่ 3 ถ.เทพารักษ์ ต.เทพารักษ์ อ.เมือง จ.สมุทรปราการ 10270  
845/3-4 Thepharak RD., T.Thepharak, A.Muang, Samutprakarn 10270 THAILAND  
Tel. 0 2384 6060, Fax 0 2384 5701, Email : sales@flutech.co.th, www.flutech.co.th



**F3177 - 2-way solenoid valve N.C. stainless steel body and cover, with G connection (ISO 228) - 3/8" ... 1"**



CODE "V" = FPM seals	G connection (ISO 228) ⊕ = Connection				Orifice (mm)	KV (m <sup>3</sup> /h)	Differential pressure (bar)			Power consumption			⊕ = Solenoid coil		Temperature range (°C)
	C	D	E	F			Min	Max		AC Inrush (VA)	AC Holding (VA)	DC (W)	Series	Size	
								AC	DC						
F3177⊕V12⊕	3/8"		/		12	2,2	0,15	15	15	12	8	6,5	MI	22	-10 ... +140
F3177⊕V12⊕	/	1/2"	/		12	2,5		15	15						
F3177⊕V18⊕	/		3/4"	/	18	5,5		13	13						
F3177⊕V25⊕	/			1"	25	10,2		10	10						

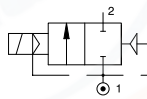
G connection	3/8"	1/2"	3/4"	1"
a	59	59	79	96
b	70	70	76	85
c	11	13	18	20
d	45	45	55	72
e	16			
f	22			
Weight (g)	300	320	550	950

**N.B. For use with steam maximum admitted pressure PS is 2,5 bar (relative pressure).**

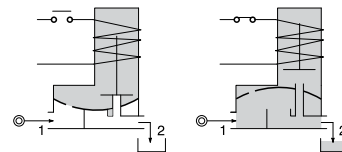
Example: F3177⊕V12⊕ => F3177CV12MI58:

2-way solenoid valve normally closed, servo-assisted diaphragm with G connection (ISO 228) 3/8", FPM seals, 12 mm orifice, solenoid coil 230 VAC (50-60 Hz) (MI58, size 22 for more information, please refer to the section "Solenoid coils - Series F300").

**Pneumatic symbol**



**Diagram**



**Construction characteristics**

- AISI 316 stainless steel body and cover
- AISI 303 stainless steel guide tube
- AISI 430FR stainless steel mobile and fixed core
- AISI 302 stainless steel springs
- FPM sealing assemblies

**OPTIONS (on request):**

- Manual override
- Seals for use with foodstuff fluids
- Version with slowed commutation
- Silver advance ring
- For use with oxygen
- XME solenoid coil for potentially explosive environments to ATEX standards - Ex mb IIC
- certified solenoid coils

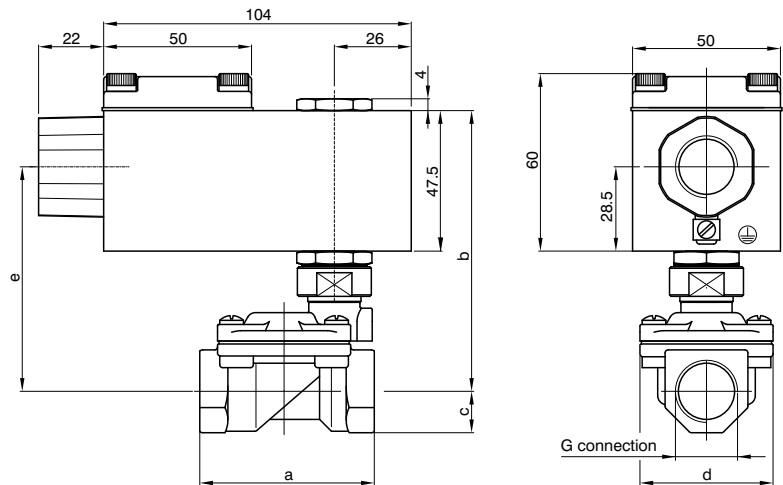
**Technical characteristics**

Maximum admitted pressure (bar)	25
Minimum differential pressure (bar)	0,15
Maximum fluid viscosity (mm <sup>2</sup> /s)	25cSt
Ambient temperature: with class F solenoid coil (°C)	-10 ... +55
Mounting position	Preferably with solenoid coil upwards





**FX3177 - 2-way solenoid valve N.C. stainless steel body and cover, with G connection (ISO 228)  
with certified housing: Ex d IIC T6 or T5 or T4 Gb - 3/8" ... 1"**



CODE "V" = FPM seals	G connection (ISO 228) ⊕ = Connection				Orifice (mm)	KV (m³/h)	Differential pressure (bar)				⊖ = Solenoid coil	Temperature range (°C)	
	C	D	E	F			Min	Max		AC Holding (VA)			DC (W)
FX3177⊕V121⊖	3/8"	/	/	/	12	2,2		0,15	15		15	12	
FX3177⊕V121⊖	/	1/2"	/	/	12	2,5	15		15				
FX3177⊕V181⊖	/	/	3/4"	/	18	5,5	13		13				
FX3177⊕V251⊖	/	/	/	1"	25	10,2	10		10				

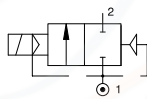
G connection	3/8" Ø12	1/2" Ø12	3/4"	1"
a	59	59	79	96
b	95	95	101	110
c	14	14	18	20
d	45	45	54	72
e	76	76	82	91
Weight (g)	1120	1110	1100	1500

**N.B. The solenoid valve is suited for intercepting only fluids that are NOT potentially explosive.**

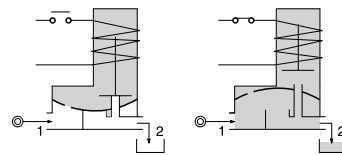
Example: FX3177⊕V12⊖ => FX3177CV12A60:

2-way solenoid valve normally closed, servo-assisted diaphragm with certified housing: Ex d IIC T6 or T5 or T4 Gb, with G connection (ISO 228) 3/8", FPM seals, 12 mm orifice, solenoid coil 12 VDC (A60).

**Pneumatic symbol**



**Diagram**

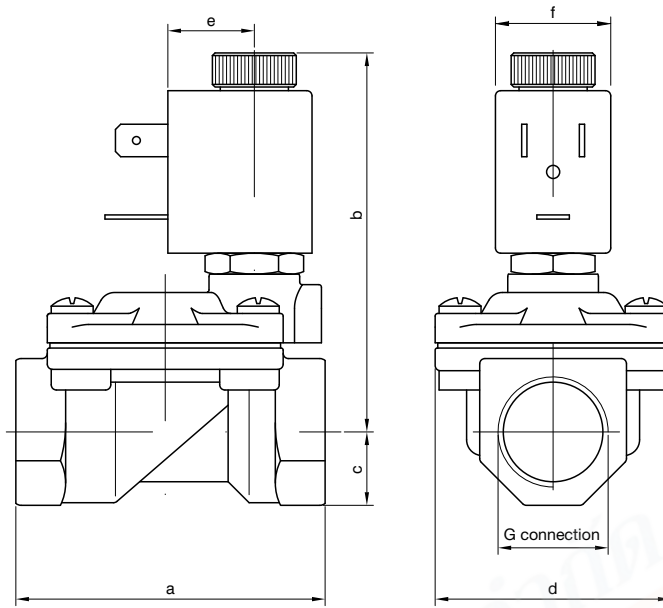


Construction characteristics	Technical characteristics	
- AISI 316 stainless steel body and cover - Red light alloy housing - 1/2" NPT electrical connection (M20x1,5 on request) - FPM sealing assemblies	Maximum admitted pressure (bar)	25
<b>OPTIONS (on request):</b> - Version with slowed commutation	Minimum differential pressure (bar)	0,15
	Maximum fluid viscosity (mm²/s)	25cSt
	Ambient temperature (°C)	-40 ... +60
	Mounting position	Vertical with solenoid coil upwards





**F3277 - 2-way solenoid valve N.O. stainless steel body and cover, with G connection (ISO 228) - 3/8" ... 1"**



CODE "V" = FPM seals	G connection (ISO 228) ⊕ = Connection				Orifice (mm)	KV (m³/h)	Differential pressure (bar)		Power consumption			⊕ = Solenoid coil		Temperature range (°C)	
	C	D	E	F			Min	Max		AC Inrush (VA)	AC Holding (VA)	DC (W)	Series		Size
								AC	DC						
F3277CV12⊕	3/8"		/		12	2,2	0,15	15	15	12	8	6,5	MI	22	-10 ... +140
F3277CV12⊕	/	1/2"	/		12	2,5		15	15						
F3277CV18⊕	/	/	3/4"	/	18	5,5		13	13						
F3277CV25⊕	/	/	/	1"	25	10,2		10	10						

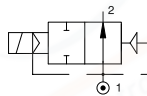
G connection	3/8"	1/2"	3/4"	1"
a	59	59	79	96
b	73	73	76	85
c	14	14	18	20
d	45	45	55	72
e	16			
f	22			
Weight (g)	300	320	550	950

**N.B. For use with steam maximum admitted pressure PS is 2,5 bar (relative pressure).**

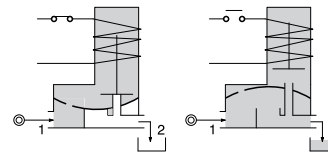
Example: F3277CV12⊕ => F3277CV12MI58:

2-way solenoid valve normally open, servo-assisted diaphragm, with G connection (ISO 228) 3/8", FPM seals, 12 mm orifice, solenoid coil 230 VAC (50-60 Hz) (MI58, size 22 for more information, please refer to the section "Solenoid coils - Series F300").

**Pneumatic symbol**



**Diagram**

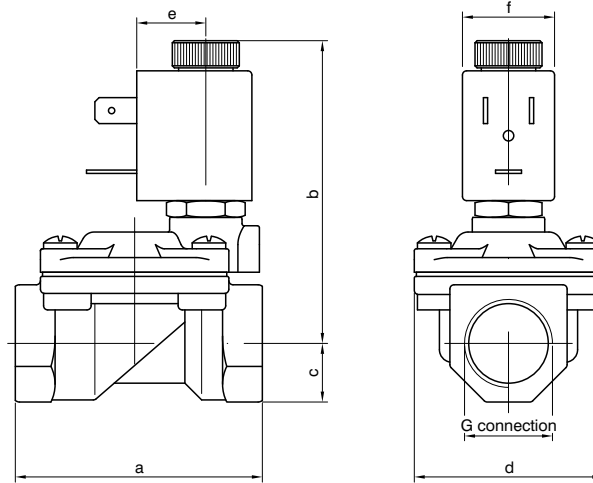


Construction characteristics	Technical characteristics	
<ul style="list-style-type: none"> <li>- AISI 316 stainless steel body and cover</li> <li>- AISI 303 stainless steel guide tube</li> <li>- AISI 430FR stainless steel mobile and fixed core</li> <li>- AISI 302 stainless steel springs</li> <li>- FPM sealing assemblies</li> </ul> <b>OPTIONS (on request):</b> <ul style="list-style-type: none"> <li>- Seals for use with foodstuff fluids</li> <li>- Version with slowed commutation</li> <li>- Silver advance ring</li> <li>- For use with oxygen</li> <li>- XME solenoid coil for potentially explosive environments to ATEX standards - Ex mb IIC</li> <li>-  certified solenoid coils</li> </ul>	Maximum admitted pressure (bar)	25
	Minimum differential pressure (bar)	0,15
	Maximum fluid viscosity (mm²/s)	25cSt
	Ambient temperature: with class F solenoid coil (°C)	-10 ... +55
	Mounting position	Preferably with solenoid coil upwards





**F3207 - 2-way solenoid valve N.O. brass body and cover, with G connection (ISO 228) - 1/4" ... 1" 1/4**



CODE "V" = FPM seals	G connection (ISO 228) ⊕ = Connection						Orifice (mm)	KV (m³/h)	Differential pressure (bar)			Power consumption			⊕ = Solenoid coil		Temperature range (°C)
	B	C	D	E	F	G			Min	Max		AC Inrush (VA)	AC Holding (VA)	DC (W)	Series	Size	
F3207⊕V10⊕	1/4"		/				10	1,5	0,15	15	15	12	8	6,5	MI	22	-10 ... +140
F3207⊕V10⊕	/	3/8"		/			10	1,7		15	15						
F3207⊕V12⊕	/	3/8"		/			12	2,2		15	15						
F3207⊕V12⊕	/	1/2"		/			12	2,5		15	15						
F3207⊕V18⊕	/		3/4"	/			18	5,5		13	13						
F3207⊕V25⊕	/				1"	/	25	10,2		10	10						
F3207⊕V30⊕	/					1" 1/4	30	15		10	10						

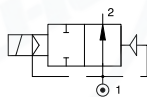
G connection	1/4" Ø10	3/8" Ø10	3/8" Ø12	1/2" Ø12	3/4"	1"	1" 1/4 Ø30
a	49	49	59	59	79	96	119
b	65	65	73	73	76	85	96
c	11	11	14	14	18	20	25
d	32	32	45	45	55	72	85
e	16						
f	22						
Weight (g)	230	240	420	390	650	1050	1700

**N.B. For use with steam maximum admitted pressure PS is 2,5 bar (relative pressure).**

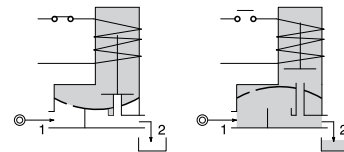
Example: F3207⊕V10⊕ => F3207CV10MI58:

2-way solenoid valve normally open, servo-assisted diaphragm, with G connection (ISO 228) 1/4", FPM seals, 10 mm orifice, solenoid coil 230 VAC (50-60 Hz) (MI58, size 22 for more information, please refer to the section "Solenoid coils - Series F300").

**Pneumatic symbol**



**Diagram**



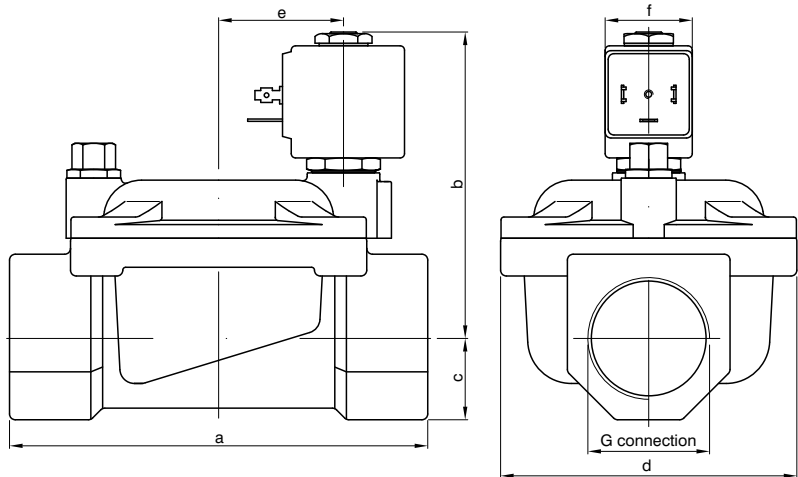
Construction characteristics	Technical characteristics	
<ul style="list-style-type: none"> <li>- Brass body and cover</li> <li>- AISI 303 stainless steel guide tube</li> <li>- AISI 430FR stainless steel mobile and fixed core</li> <li>- AISI 302 stainless steel springs</li> <li>- FPM sealing assemblies</li> </ul> <b>OPTIONS (on request):</b> <ul style="list-style-type: none"> <li>- Manual override</li> <li>- Chemical nickel plating surface treatment</li> <li>- XME solenoid coil for potentially explosive environments to ATEX standards - Ex mb IIC</li> <li>-  certified solenoid coils</li> </ul>	Maximum admitted pressure (bar)	25
	Minimum differential pressure (bar)	0,15
	Maximum fluid viscosity (mm²/s)	25cSt
	Ambient temperature: with class F solenoid coil (°C)	-10 ... +55
	Mounting position	Preferably with solenoid coil upwards







**F3207 - 2-way solenoid valve N.O. brass body and cover, with G connection (ISO 228) - 1" 1/4 ... 3"**



CODE "V" = FPM seals "B" = NBR seals	G connection (ISO 228) ⊕ = Connection					Orifice (mm)	KV (m <sup>3</sup> /h)	Differential pressure (bar)			Power consumption			⊕ = Solenoid coil		Temperature range (°C)
	G	H	I	M	R			Min	Max		AC Inrush (VA)	AC Holding (VA)	DC (W)	Series	Size	
									AC	DC						
F3207⊕V37⊕	1" 1/4		/			37	18	0,15	10	10	20	15	10	MG	30	-10 ... +140
F3207⊕V37⊕	/	1" 1/2		/		37	21		10	10						
F3207⊕V50⊕	/		2"			50	36		10	10						
F3207⊕B75⊕		/		2" 1/2	/	75	75	0,3	5	5	20	15	10	MG	30	-10 ... +90
F3207⊕B75⊕		/			3"	75	84		5	5						

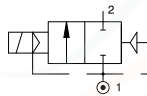
G connection	1" 1/4	1" 1/2	2"	2" 1/2	3"
a	142	142	158	226	226
b	105	105	115	134	134
c	28	28	35	51	51
d	102	102	119	169	169
e	21				
f	30				
Weight (g)	3000	2850	4300	1170	9900

**N.B. For use with steam maximum admitted pressure PS is 2,5 bar (relative pressure).**

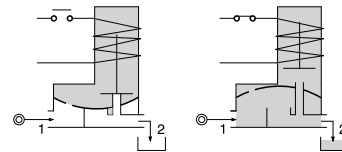
Example: F3107⊕V37⊕ => F3107GV37MG5:

2-way solenoid valve normally closed, servo-assisted diaphragm with G connection (ISO 228) 1" 1/4, FPM seals, 37 mm orifice, solenoid coil 24 VDC (MG5, size 30 for more information, please refer to the section "Solenoid coils - Series F300").

**Pneumatic symbol**



**Diagram**

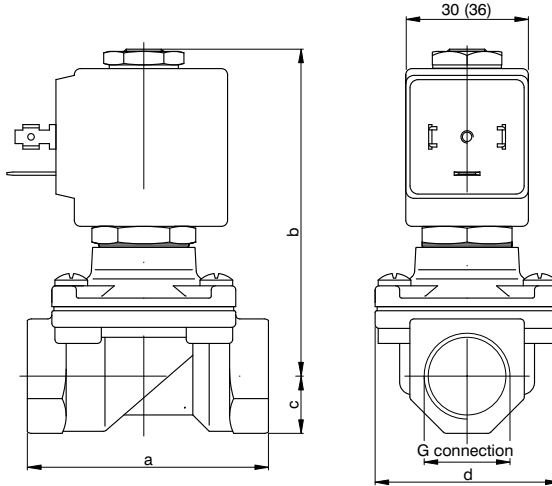


Construction characteristics	Technical characteristics	
<ul style="list-style-type: none"> <li>- Brass body and cover</li> <li>- AISI 303 stainless steel guide tube</li> <li>- AISI 430FR stainless steel mobile and fixed core</li> <li>- AISI 302 stainless steel springs</li> <li>- FPM sealing assemblies (NBR only for "M" and "R" versions)</li> </ul> <b>OPTIONS (on request):</b> <ul style="list-style-type: none"> <li>- Manual override</li> <li>- Chemical nickel plating</li> <li>- Version for vacuum (air/gas)</li> <li>-  certified solenoid coils</li> </ul>	Maximum admitted pressure (bar)	20
	Minimum differential pressure (bar)	0,15 ... 3
	Maximum fluid viscosity (mm <sup>2</sup> /s)	25cSt
	Ambient temperature: with class F solenoid coil (°C)	-10 ... +55
Mounting position	Preferably with solenoid coil upwards	





**F3108 - 2-way solenoid valve N.C. brass body and cover, with G connection (ISO 228) - 3/8" ... 1"**



The data in brackets refer to the MK Series coil

CODE "V" = FPM seals	G connection (ISO 228) ⊕ = Connection				Orifice (mm)	KV (m <sup>3</sup> /h)	Differential pressure (bar)		Power consumption			⊕ = Solenoid coil		Temperature range (°C)
	C	D	E	F			Min	Max	AC Inrush (VA)	AC Holding (VA)	DC (W)	Series	Size	
F3108⊕V12⊕	3/8"	/	/	/	12	2	10	/	20	15	/	MG/AC	30	-10 ... +140
F3108⊕V12⊕	/	1/2"	/	/	12	2,2	10	/	40	30	27	MK (AC/DC)	36	
F3108⊕V12⊕	3/8"	/	/	/	12	2	12	10	40	30	27			
F3108⊕V12⊕	/	1/2"	/	/	12	2,2	12	10	40	30	27	MK (AC/DC)	36	
F3108⊕V18⊕	/	/	3/4"	/	18	4,5	9	/	40	30	/			
F3108⊕V25⊕	/	/	/	1"	25	8,5	7	/	/	/	27	MK/DC	36	
F3108⊕V18C⊕	/	/	3/4"	/	18	4,5	/	9	/	/	27			
F3108⊕V25C⊕	/	/	/	1"	25	8,5	/	8	/	/	27	MK/DC	36	

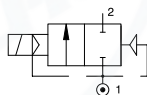
G connection		3/8"	1/2"	3/4"	1"
a		59	59	79	96
b		83	83	90	101
c		14	14	18	20
d		45	45	55	72
Weight (g)	MG	520	490	/	/
	MK	600	570	810	1220

**N.B. For use with steam maximum admitted pressure PS is 2,5 bar (relative pressure).**

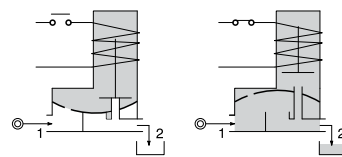
Example: F3108⊕V12⊕ => F3108CV12MG5:

2-way solenoid valve normally closed, with assisted-lift diaphragm with G connection (ISO 228) 3/8", FPM seals, 12 mm orifice, solenoid coil 24 VDC (MG5, size 30 for more information, please refer to the section "Solenoid coils - Series F300").

**Pneumatic symbol**



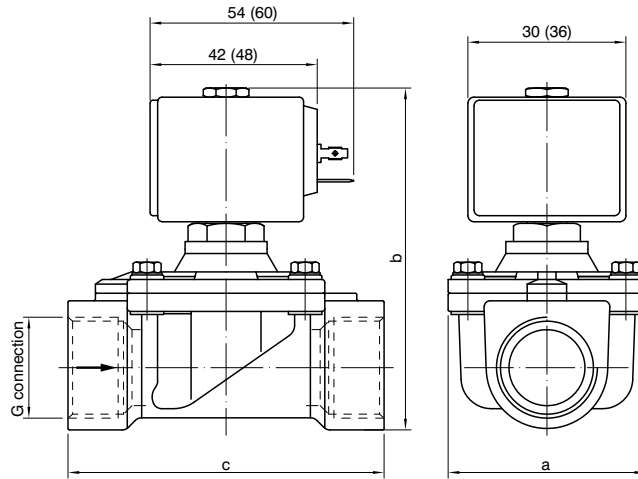
**Diagram**



Construction characteristics	Technical characteristics	
<ul style="list-style-type: none"> <li>- Brass body and cover</li> <li>- AISI 303 stainless steel guide tube</li> <li>- AISI 430FR stainless steel mobile and fixed core</li> <li>- AISI 302 stainless steel springs</li> <li>- FPM sealing assemblies</li> </ul> <b>OPTIONS (on request):</b> <ul style="list-style-type: none"> <li>- Chemical nickel plating</li> <li>-  certified solenoid coils</li> </ul>	Maximum admitted pressure(bar)	25
	Maximum fluid viscosity (mm <sup>2</sup> /s)	25cSt
	Ambient temperature: with class F solenoid coil (°C)	-10 ... +55
	Ambient temperature: with class H solenoid coil (°C)	-10 ... +80
	Mounting position	Preferably with solenoid coil upwards



**F3168 - 2-way solenoid valve N.C. brass body and cover, with G connection (ISO 228) - 3/8" ... 1" 1/2**



The data in brackets refer to the MK Series coil

CODE "V" = FPM seals	G connection (ISO 228) ⊕ = Connection						Orifice (mm)	KV (m <sup>3</sup> /h)	Differential pressure (bar)		Power consumption (W)	⊕ = Solenoid coil		Temperature range (°C)	
	C	D	E	F	G	H			Min	Max		Series	Size		
										AC					DC
F3168CV11⊕	3/8"			/			11	1,2	14	5	10	MG	30	-10 ... +140	
									/	14	27	MK	36		
F3168CV16⊕	/	1/2"		/			16	2,4	14	2,5	10	MG	30		
									/	14	27	MK	36		
F3168CV16⊕	/		3/4"	/			16	2,4	14	2,5	10	MG	30		
									/	14	27	MK	36		
F3168CV20H⊕	/		3/4"	/			20	7,2	16	5	10	MG	30		
									/	16	27	MK	36		
F3168CV25⊕	/			1"	/		25	7,2	8	/	10	MG	30		
									14	1,5	14	MK	36		
									/	6	27	MK	36		
F3168CV25H⊕	/			1"	/		25	8,4	16	5	10	MG	30		
									/	16	27	MK	36		
F3168CV35⊕	/				1" 1/4	/	35	16,2	16	/	10	MG	30		
									/	6	14	MK	36		
									/	16	27	MK	36		
F3168CV40⊕	/					1" 1/2	40	16,8	16	/	10	MG	30		
									/	6	14	MK	36		
									/	16	27	MK	36		

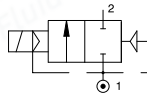
G connection	3/8"	1/2"	3/4"	3/4" (H)	1"	1" (H)	1" 1/4	1" 1/2
a	50	50	50	65	65	65	94	94
b	89	100	100	103	112	110	130	130
c	56	70	70	104	104	104	128	128

**N.B. For use with steam maximum admitted pressure PS is 2,5 bar (relative pressure).**

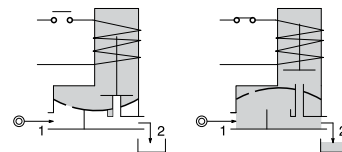
Example: F3168CV11⊕ => F3168CV11MG5:

2-way solenoid valve normally closed, with assisted-lift diaphragm with G connection (ISO 228) 3/8", FPM seals, 11 mm orifice, solenoid coil 24 VDC (MG5, size 30 for more information, please refer to the section "Solenoid coils - Series F300").

**Pneumatic symbol**



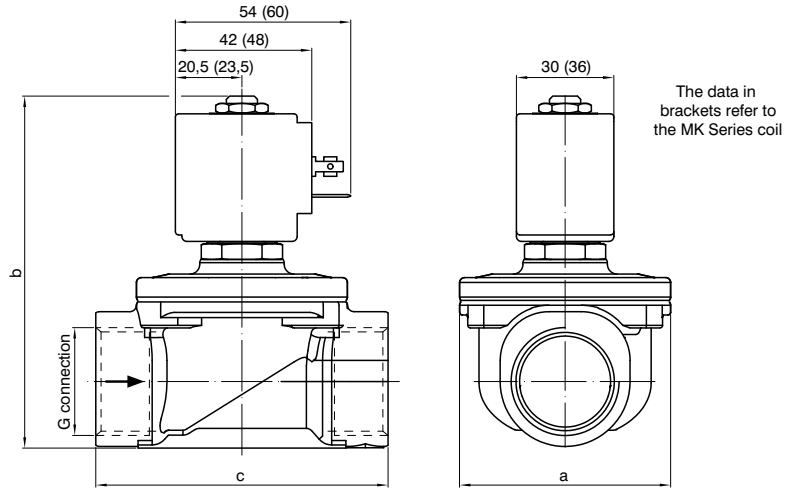
**Diagram**



Construction characteristics	Technical characteristics	
<ul style="list-style-type: none"> <li>- Brass body and cover</li> <li>- AISI 303 stainless steel guide tube</li> <li>- AISI 430FR stainless steel mobile and fixed core</li> <li>- AISI 302 stainless steel springs</li> <li>- FPM sealing assemblies (NBR on request)</li> </ul>	Maximum admitted pressure (bar)	16
	Maximum fluid viscosity (mm <sup>2</sup> /s)	25cSt
	Ambient temperature: with class F solenoid coil (°C)	-10 ... +55
	Ambient temperature: with class H solenoid coil (°C)	-10 ... +80
<b>OPTIONS (on request):</b> <ul style="list-style-type: none"> <li>- NPT connections</li> <li>- ATEX Ex d explosion protection solenoid coil</li> <li>- For use with oxygen</li> <li>-  certified solenoid coils</li> </ul>	Mounting position	Preferably with solenoid coil upwards



**F3178 - 2-way solenoid valve N.C. stainless steel body and cover, with G connection (ISO 228) - 3/8" ... 1" 1/2**



CODE "V" = FPM seals	G connection (ISO 228) ⊕ = Connection						Orifice (mm)	KV (m³/h)	Differential pressure (bar)			Power consumption		⊕ = Solenoid coil		Temperature range (°C)
	C	D	E	F	G	H			Min	Max		(W)	Series	Size		
										AC	DC					
F3178⊕V15⊕	3/8"			/			15	2,4	0	14	6	10	MG	30	-10 ... +140	
										/	14	27	MK	36		
F3178⊕V16⊕	/	1/2"		/			16	3		14	6	10	MG	30		
										/	14	27	MK	36		
F3178⊕V20⊕	/		3/4"	/			20	3,6		14	6	10	MG	30		
										/	14	27	MK	36		
F3178⊕V25⊕	/			1"	/		25	8,4		14	3	10	MG	30		
										/	8	14	MK	36		
F3178⊕V35⊕	/			1" 1/4	/		35	18		8	/	10	MG	30		
										14	2	14	MK	36		
F3178⊕V40⊕	/				1" 1/2		40	19,2		/	7	27	MK	36		
										8	/	10	MG	30		
										14	2	14	MK	36		
										/	7	27	MK	36		

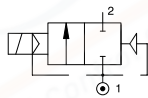
G connection	3/8"	1/2"	3/4"	1"	1" 1/4	1" 1/2
a	52	52	58	65	94	94
b	92	92	100	109	126	126
c	68	68	75	90	128	128

**N.B. For use with steam maximum admitted pressure PS is 2,5 bar (relative pressure).**

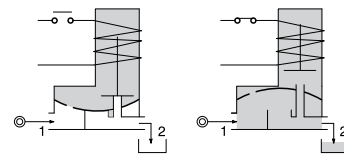
Example: F3178⊕V15⊕ => F3178CV15MG5:

2-way solenoid valve normally closed, with assisted-lift diaphragm with G connection (ISO 228) 3/8", FPM seals, 15 mm orifice, solenoid coil 24 VDC (MG5, size 30 for more information, please refer to the section "Solenoid coils - Series F300").

**Pneumatic symbol**



**Diagram**

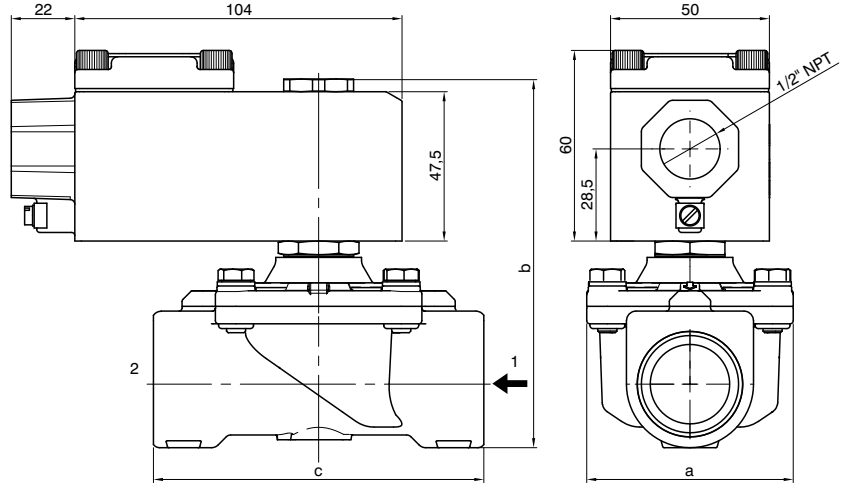


Construction characteristics	Technical characteristics	
<ul style="list-style-type: none"> <li>- AISI 316 stainless steel body and cover</li> <li>- AISI 316 stainless steel guide tube</li> <li>- AISI 430FR stainless steel mobile and fixed core</li> <li>- AISI 302 stainless steel springs</li> <li>- Silver advance ring</li> <li>- FPM sealing assemblies (NBR on request)</li> </ul> <b>OPTIONS (on request):</b> <ul style="list-style-type: none"> <li>- NPT connections</li> <li>- ATEX Ex d explosion protection solenoid coil</li> <li>- For use with oxygen</li> <li>-  certified solenoid coils</li> </ul>	Maximum admitted pressure (bar)	16
	Maximum fluid viscosity (mm²/s)	25cSt
	Ambient temperature: with class F solenoid coil (°C)	-10 ... +55
	Ambient temperature: with class H solenoid coil (°C)	-10 ... +80
	Mounting position	Preferably with solenoid coil upwards





**FX3168 - 2-way solenoid valve N.C. brass body, with G connection (ISO 228)  
with certified housing: Ex d IIC T6 or T5 or T4 Gb - 3/8" ... 1"**



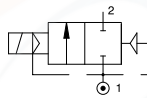
CODE "V" = FPM seals	G connection (ISO 228) ⊕ = Connection					Orifice (mm)	KV (m <sup>3</sup> /h)	Differential pressure (bar)			Power consumption (W)	⊕ = Solenoid coil	Temperature range (°C)
	C	D	E	F	Min			Max					
								AC	DC				
FX3168⊕V11⊕	3/8"	/	/	/	0	11	1,2	5	5	8	A6B= 24 Volt (AC 50-60 Hz) A6E= 220/230 Volt (AC 50-60 Hz) A60= 12 Volt (DC) A61= 24 Volt (DC)	-10 ... +80	
FX3168⊕V16⊕	/	1/2"	/	/	5	2,4	5	5					
FX3168⊕V16⊕	/	/	3/4"	/	5	2,4	5	5					
FX3168⊕V20H⊕	/	/	3/4"	/	5	7,2	5	5					
FX3168⊕V25H⊕	/	/	/	1"	5	8,4	5	5					

G connection	3/8"	1/2"	3/4"	3/4" (H)	1" (H)
a	50	50	50	65	65
b	95	106	106	109	116
c	56	70	70	104	104

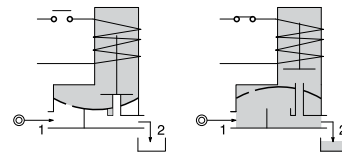
Example: FX3168⊕V11⊕ => FX3168CV11A60:

2-way solenoid valve normally closed, with assisted-lift diaphragm with certified housing: Ex d IIC T6 or T5 or T4 Gb, with G connection (ISO 228) 3/8", FPM seals, 11 mm orifice, solenoid coil 12 VDC (A60).

**Pneumatic symbol**



**Diagram**



**Construction characteristics**

- Brass body
- Red light alloy housing
- 1/2" NPT electrical connection (M20x1,5 on request)
- FPM sealing assemblies

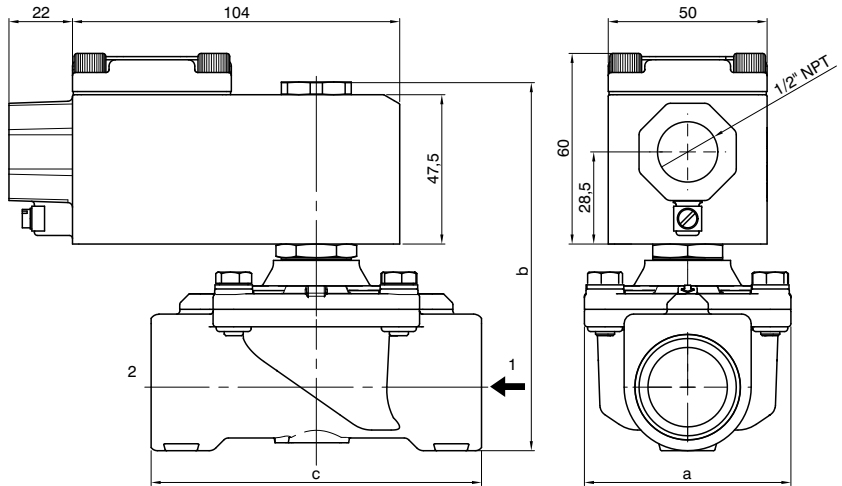
**Technical characteristics**

Maximum admitted pressure (bar)	16
Minimum differential pressure (bar)	0
Maximum fluid viscosity (mm <sup>2</sup> /s)	25cSt
Ambient temperature (°C)	-40 ... +60
Mounting position	Vertical with solenoid coil upwards





**FX3178 - 2-way solenoid valve N.C. stainless steel body, with G connection (ISO 228)  
with certified housing: Ex d IIC T6 or T5 or T4 Gb - 3/8" ... 1"**



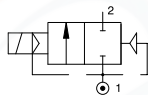
CODE "V" = FPM seals	G connection (ISO 228) ⊕ = Connection				Orifice (mm)	KV (m³/h)	Differential pressure (bar)		Power consumption (W)	⊕ = Solenoid coil	Temperature range (°C)	
	C	D	E	F			Min	Max				AC
FX3178⊕V15⊕	3/8"	/	/	/	15	2,4	0	6	6	8	A6B= 24 Volt (AC 50-60 Hz) A6E= 220/230 Volt (AC 50-60 Hz) A60= 12 Volt (DC) A61= 24 Volt (DC)	-10 ... +80
FX3178⊕V16⊕	/	1/2"	/	/	16	3	6	6				
FX3178⊕V20⊕	/	/	3/4"	/	20	3,6	6	6				
FX3178⊕V25⊕	/	/	/	1"	25	8,4	3	3				

G connection	3/8"	1/2"	3/4"	1"
a	52	52	58	65
b	98	98	106	115
c	68	68	75	90

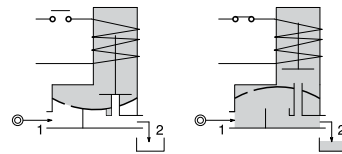
Example: FX3178⊕V15⊕ => FX3178CV15A60:

2-way solenoid valve normally closed, with assisted-lift diaphragm with certified housing: Ex d IIC T6 or T5 or T4 Gb, with G connection (ISO 228) 3/8", FPM seals, 15 mm orifice, solenoid coil 12 VDC (A60).

**Pneumatic symbol**



**Diagram**



**Construction characteristics**

- AISI 316 stainless steel body
- Red light alloy housing
- 1/2" NPT electrical connection (M20x1,5 on request)
- FPM sealing assemblies

**OPTIONS (on request):**

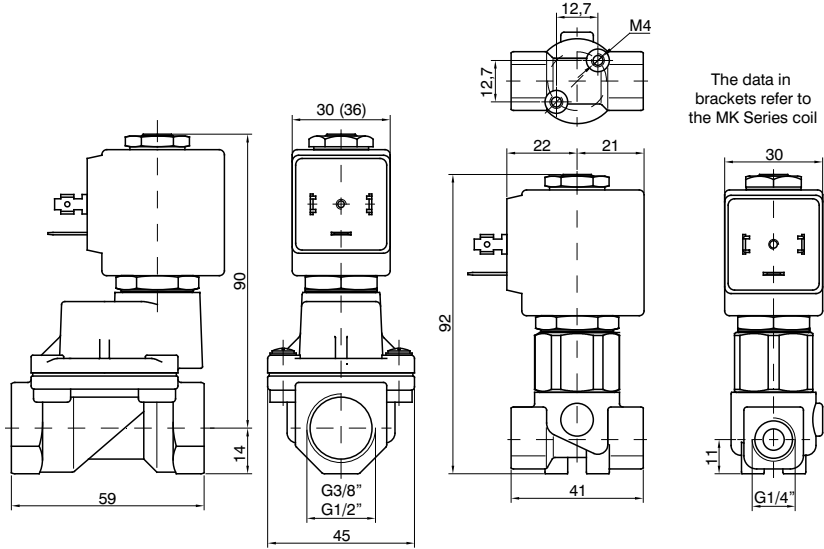
- Solenoid coil with stainless steel housing

**Technical characteristics**

Maximum admitted pressure (bar)	16
Minimum differential pressure (bar)	0
Maximum fluid viscosity (mm²/s)	25cSt
Ambient temperature (°C)	-40 ... +60
Mounting position	Vertical with solenoid coil upwards



**F3119 - 2-way solenoid valve N.C. brass body and cover, with G connection (ISO 228) - 1/4" ... 1/2"**



The data in brackets refer to the MK Series coil

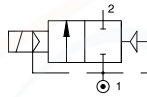
CODE "V" = FPM seals	G connection (ISO 228) ⊕ = Connection			Orifice (mm)	KV (m <sup>3</sup> /h)	Differential pressure (bar)			Power consumption			⊕ = Solenoid coil		Temperature range (°C)
	B	C	D			Min	Max		AC Inrush (VA)	AC Holding (VA)	DC (W)	Series	Size	
							AC	DC						
F3119⊕V52⊕	1/4"	/	/	5,2	0,47	1,5	50	50	20	15	10	MG	30	-10 ... +140
F3119⊕V12⊕	/	3/8"	/	12	2	1	30	30						
F3119⊕V12⊕	/	/	1/2"	12	2,2	1	30	30	40	30	27	MK	36	
F3119⊕V12/1⊕	/	3/8"	/	12	2	1	50	50						
F3119⊕V12/1⊕	/	/	1/2"	12	2,2	1	50	50						

**N.B. For use with steam maximum admitted pressure PS is 2,5 bar (relative pressure).**

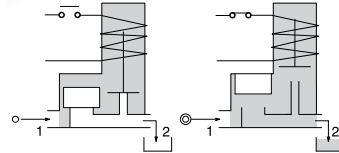
Example: F3119⊕V52⊕ => F3119BV52MG5:

2-way solenoid valve normally closed, servo-assisted piston with G connection (ISO 228) 1/4", main seals in PTFE other in FPM, 5,2 mm orifice, solenoid coil 24 VDC (MG5, size 30 for more information, please refer to the section "Solenoid coils - Series F300").

**Pneumatic symbol**



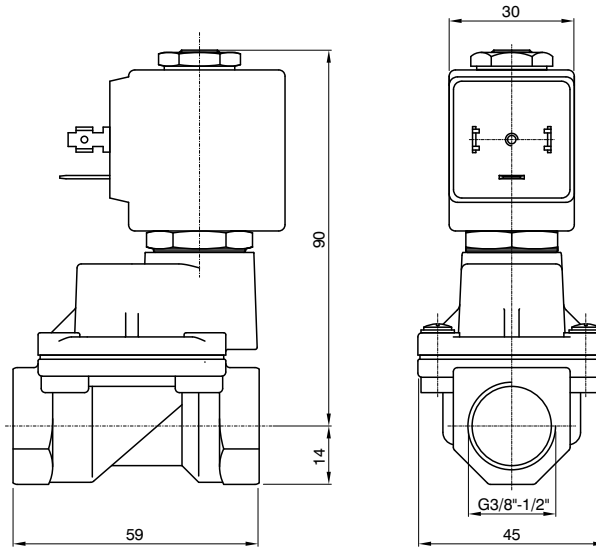
**Diagram**



Construction characteristics	Technical characteristics	
- Brass body and cover	Maximum admitted pressure (bar)	60
- AISI 303 stainless steel guide tube	Maximum fluid viscosity (mm <sup>2</sup> /s)	25cSt
- AISI 430FR stainless steel mobile and fixed core	Minimum differential pressure (bar)	1
- AISI 302 stainless steel springs	Maximum admitted leakage (Nl/h)	<0,2
- Brass piston	Ambient temperature: with class F solenoid coil (°C)	-10 ... +55
- PTFE piston seal	Ambient temperature: with class H solenoid coil (°C)	-10 ... +80
- Sealing assemblies mainly PTFE, others FPM	Mounting position	Preferably with solenoid coil upwards
<b>OPTIONS (on request):</b>	Weight (g) with solenoid coil MG series	630
- Chemical nickel plating	Weight (g) with solenoid coil MK series	710
-  certified solenoid coils		



► F3119W - 2-way solenoid valve N.C. brass body and cover, with G connection (ISO 228) - 3/8" and 1/2"

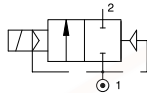


CODE "W" = PTFE seals	G connection (ISO 228) ⊕ = Connection		Orifice (mm)	KV (m <sup>2</sup> /h)	Differential pressure (bar)		Power consumption			⊕ = Solenoid coil		Temperature range (°C)	
	C	D			Min	Max		AC Inrush (VA)	AC Holding (VA)	DC (W)	Series		Size
						AC	DC						
F3119⊕W12/1⊕	3/8"	/	12	2	2,5	10	10	20	15	10	MG	30	-10 ... +180
F3119⊕W12/1⊕	/	1/2"	12	2,2	2,5	10	10						

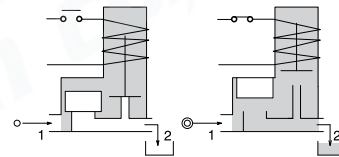
Example: F3119⊕W12/1⊕ => F3119CW12/1MG5:

2-way solenoid valve normally closed, servo-assisted piston for use with steam with G connection (ISO 228) 3/8", PTFE seals, 12 mm orifice, solenoid coil 24 VDC (MG5, size 30 for more information, please refer to the section "Solenoid coils - Series F300").

Pneumatic symbol



Diagram



Construction characteristics

- Brass body and cover
- AISI 303 stainless steel guide tube
- AISI 430FR stainless steel mobile and fixed core
- AISI 302 stainless steel springs
- AISI 303 stainless steel piston
- PTFE piston seal
- PTFE sealing assemblies

OPTIONS (on request):

- Chemical nickel plating surface treatment
- certified solenoid coils

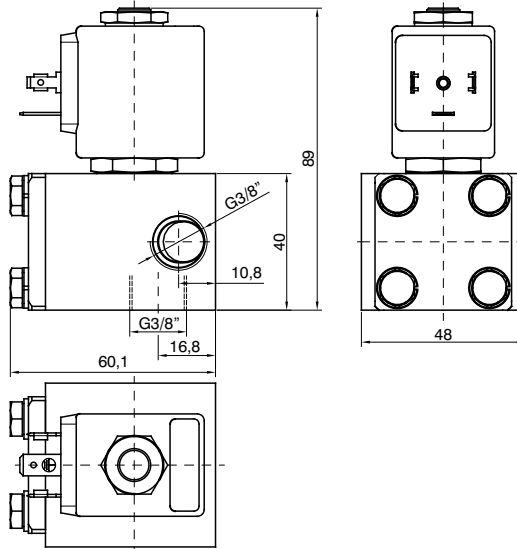
Technical characteristics

Minimum differential pressure (bar)	2,5
Maximum admitted leakage (Nl/h)	<0,2
Ambient temperature: with class F solenoid coil (°C)	-10 ... +55
Mounting position	Preferably with solenoid coil upwards
Weight (g)	630





**F3123 - 2-way solenoid valve N.C. brass body and cover, with G connection (ISO 228) - 3/8"**

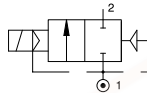


CODE "W" = PTFE seals	G connection (ISO 228) ⊕ = Connection C	Orifice (mm)	KV (m <sup>3</sup> /h)	Differential pressure (bar)			Power consumption			⊕ = Solenoid coil		Temperature range (°C)
				Min	Max		AC Inrush (VA)	AC Holding (VA)	DC (W)	Series	Size	
					AC	DC						
F3123CW07⊕	3/8"	7	14	0,7	100	80	20	15	10	MG	30	-10 ... +95
					150	150	40	30	27	MK	36	

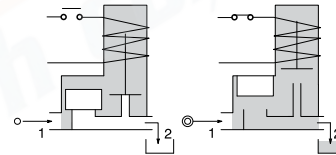
Example: F3123⊕W07⊕ => F3123CW07MG5:

2-way solenoid valve normally closed, servo-assisted piston with G connection (ISO 228) 3/8", main seals in PTFE other in FPM, 7 mm orifice, solenoid coil 24 VDC (MG5, size 30 for more information, please refer to the section "Solenoid coils - Series F300").

**Pneumatic symbol**



**Diagram**



**Construction characteristics**

- Brass body and cover
- AISI 303 stainless steel guide tube
- AISI 430FR stainless steel mobile and fixed core
- AISI 302 stainless steel springs
- AISI 303 stainless steel piston
- Sealing assemblies mainly PTFE, others FPM

**OPTIONS (on request):**

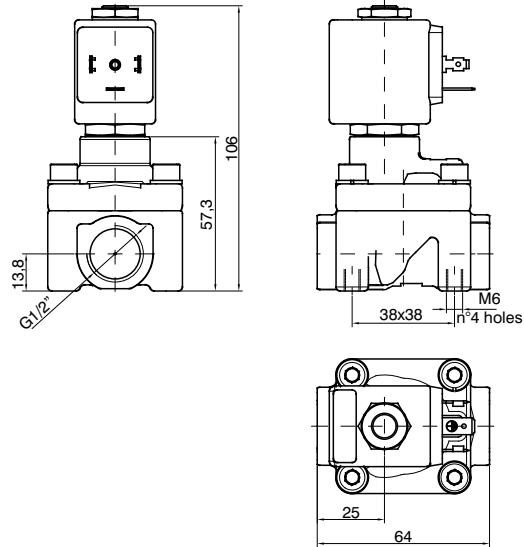
- Chemical nickel plating
- certified solenoid coils

**Technical characteristics**

Maximum admitted pressure (bar)	200
Maximum fluid viscosity (mm <sup>2</sup> /s)	12cSt
Minimum differential pressure (bar)	0,7
Maximum admitted leakage (NI/h)	<0,2
Ambient temperature: with class F solenoid coil (°C)	-10 ... +55
Ambient temperature: with class H solenoid coil (°C)	-10 ... +80
Mounting position	Preferably with solenoid coil upwards



**F3124 - 2-way solenoid valve N.C. brass body and cover, with G connection (ISO 228) - 1/2"**

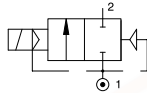


CODE "W" = PTFE seals	G connection (ISO 228) ⊕ = Connection	Orifice (mm)	KV (m <sup>2</sup> /h)	Differential pressure (bar)			Power consumption			⊕ = Solenoid coil		Temperature range (°C)
	D			Min	Max		AC Inrush (VA)	AC Holding (VA)	DC (W)	Series	Size	
					AC	DC						
F3124⊕W12⊕	1/2"	12	60	3	100	100	20	15	10	MG	30	-10 ... +95

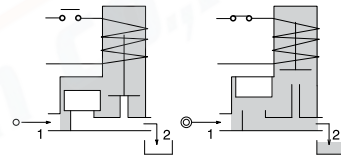
Example: F3124⊕W12⊕ => F3124DW12MG5:

2-way solenoid valve normally closed, servo-assisted piston with G connection (ISO 228) 1/2", main seals in PTFE other in FPM, 12 mm orifice, solenoid coil 24 VDC (MG5, size 30 for more information, please refer to the section "Solenoid coils - Series F300").

**Pneumatic symbol**



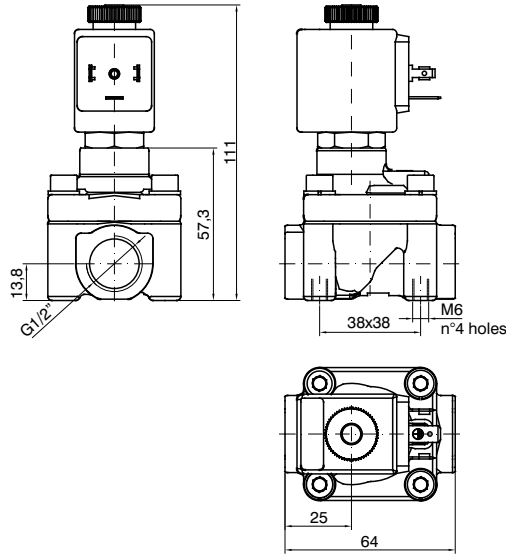
**Diagram**



Construction characteristics	Technical characteristics	
<ul style="list-style-type: none"> <li>- Brass body and cover</li> <li>- AISI 303 stainless steel guide tube</li> <li>- AISI 430FR stainless steel mobile and fixed core</li> <li>- AISI 302 stainless steel springs</li> <li>- PBT piston</li> <li>- Sealing assemblies mainly PTFE, others FPM</li> </ul>	Maximum admitted pressure (bar)	150
<b>OPTIONS (on request):</b> - Chemical nickel plating -  certified solenoid coils	Maximum fluid viscosity (mm <sup>2</sup> /s)	12cSt
	Minimum differential pressure (bar)	3
	Maximum admitted leakage (Nl/h)	<0,2
	Ambient temperature: with class F solenoid coil (°C)	-10 ... +55
	Mounting position	Preferably with solenoid coil upwards



**F3224 - 2-way solenoid valve N.O. brass body and cover, with G connection (ISO 228) - 1/2"**

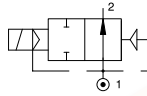


CODE "W" = PTFE seals	G connection (ISO 228) ⊕ = Connection D	Orifice (mm)	KV (m <sup>3</sup> /h)	Differential pressure (bar)			Power consumption			⊕ = Solenoid coil		Temperature range (°C)
				Min	Max		AC Inrush (VA)	AC Holding (VA)	DC (W)	Series	Size	
					AC	DC						
F3224⊕W12⊕	1/2"	12	60	3	50	50	20	15	10	MG	30	-10 ... +95

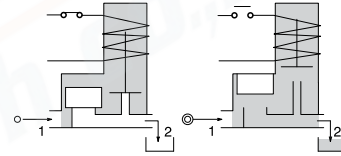
Example: F3224⊕W12⊕ => F3224DW12MG5:

2-way solenoid valve normally open, servo-assisted piston with G connection (ISO 228) 1/2", main seals in PTFE other in FPM, 12 mm orifice, solenoid coil 24 VDC (MG5, size 30 for more information, please refer to the section "Solenoid coils - Series F300").

**Pneumatic symbol**

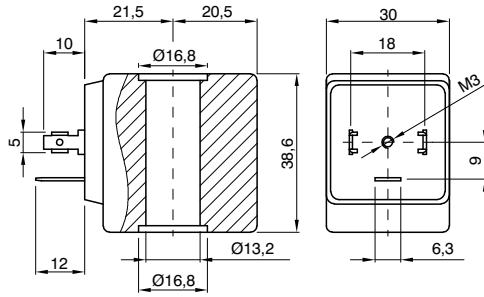


**Diagram**



Construction characteristics	Technical characteristics	
<ul style="list-style-type: none"> <li>- Brass body and cover</li> <li>- AISI 303 stainless steel guide tube</li> <li>- AISI 430FR stainless steel mobile and fixed core</li> <li>- AISI 302 stainless steel springs</li> <li>- PBT piston</li> <li>- Sealing assemblies mainly PTFE, others FPM</li> </ul> <p><b>OPTIONS (on request):</b></p> <ul style="list-style-type: none"> <li>- Chemical nickel plating</li> <li>-  certified solenoid coils</li> </ul>	<ul style="list-style-type: none"> <li>Maximum admitted pressure (bar)</li> <li>Maximum fluid viscosity (mm<sup>2</sup>/s)</li> <li>Minimum differential pressure (bar)</li> <li>Maximum admitted leakage (NI/h)</li> <li>Ambient temperature: with class F solenoid coil (°C)</li> </ul>	<ul style="list-style-type: none"> <li>100</li> <li>12cSt</li> <li>3</li> <li>&lt;0,2</li> <li>-10 ... +55</li> </ul>
	Mounting position	Preferably with solenoid coil upwards

**Solenoid coil 30 mm Ø13, type MG**

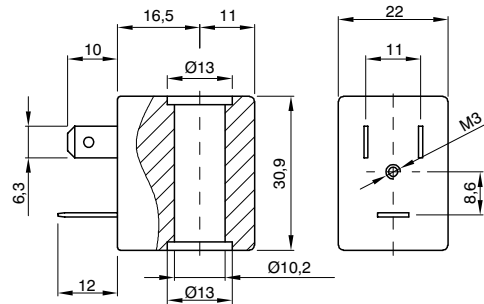


- Options:**
- Electrical connection via cables
  - Special voltages and powers
  - Self-extinguish

Ordering code	
<b>MG</b>	
VOLTAGE	
4=	12 VDC
5=	24 VDC
56=	24 VAC (50-60 Hz)
57=	110 VAC (50-60 Hz)
58=	230 VAC (50-60 Hz)
<b>EAC</b>	

Operational characteristics									
Class of insulation	Tolerance on AC voltage	Tolerance on DC voltage	IP Rating with connector	Continuous service	Electrical connection	Connector	Power		Weight (g)
							AC (VA)	DC (W)	
F	-10% ... +15%	±10%	IP65	ED100%	DIN 43650 A	Code: 300.11.00	15	10	120

**Solenoid coil 22 mm Ø10, type MI**

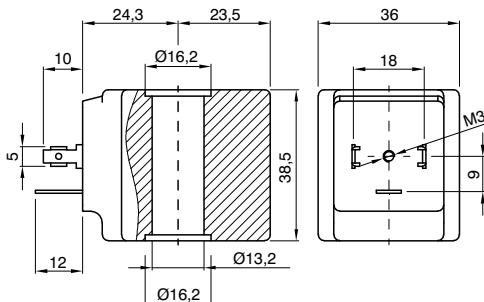


- Options:**
- Electrical connection via cables
  - Special voltages and powers
  - Self-extinguish

Ordering code	
<b>MI</b>	
VOLTAGE	
4=	12 VDC
5=	24 VDC
21=	48-50 VAC (50-60 Hz)
56=	24 VAC (50-60 Hz)
57=	110 VAC (50-60 Hz)
58=	230 VAC (50-60 Hz)
<b>EAC</b>	

Operational characteristics									
Class of insulation	Tolerance on AC voltage	Tolerance on DC voltage	IP Rating with connector	Continuous service	Electrical connection	Connector	Power		Weight (g)
							AC (VA)	DC (W)	
F	-10% ... +15%	±10%	IP65	ED100%	DIN 43650 B	Code: 305.11.00	8	6,5	50

**Solenoid coil 36 mm Ø13, type MK**

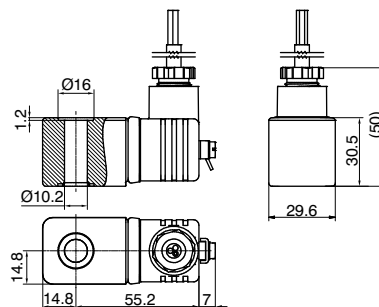
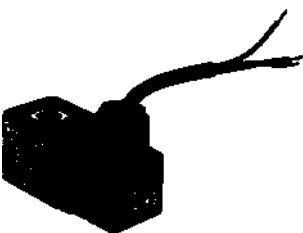


- Options:**
- Electrical connection via cables
  - Special voltages and powers
  - Self-extinguish

Ordering code	
<b>MK</b>	
VOLTAGE	
4=	12 VDC
5=	24 VDC
56=	24 VAC (50-60 Hz)
57=	110 VAC (50-60 Hz)
58=	230 VAC (50-60 Hz)
<b>EAC</b>	

Operational characteristics									
Class of insulation	Tolerance on AC voltage	Tolerance on DC voltage	IP Rating with connector	Continuous service	Electrical connection	Connector	Power		Weight (g)
							AC (VA)	DC (W)	
H	-10% ... +15%	±10%	IP65	ED100%	DIN 43650 A	Code: 300.11.00	30	27	200

**Solenoid coil 30 mm Ø10, type XME**



- CE II 2G Ex mb IIC T6, T5, T4 Gb  
CE II 2D Ex mb IIIC T85°C, T100°C, T135°C Db IP65

Ordering code	
<b>XME-3</b>	
VOLTAGE	
5=	24 VDC
56=	24 VAC (50-60 Hz)
57=	110 VAC (50-60 Hz)
58=	230 VAC (50-60 Hz)
<b>Ex</b> <b>TECEx</b>	

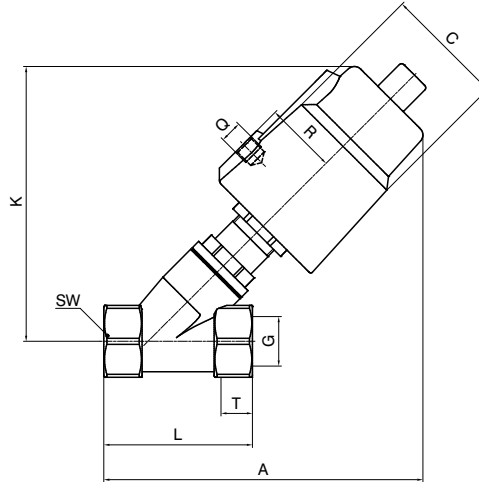
Operational characteristics								
Class of insulation	Tolerance on AC voltage	Tolerance on DC voltage	IP Rating with connector	Continuous service	Electrical connection	Power		Weight (g)
						AC (VA)	DC (W)	
H	-10% ... +15%	±10%	IP65	ED100%	3 m cable	5,3	5,4	325



**Series PVF**

Angle seat valves with AISI 316 or 304 stainless steel body.

2-way N.C. angle seat valve. Threaded ports (Designed to prevent water hammer) - 1/2" ... 3"



PNEUMAX FLUID CONTROL

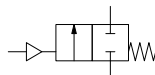
Table of dimensions

CODE	☉ = Function		G connection	Actuator (mm)	C (mm)	R (mm)	K (mm)	Q (mm)	T (mm)	A (mm)	L (mm)	SW (mm)	☉ = Material	
	N.O.	N.C.											AISI	
PVF40☉15-M	0	1	1/2"	40	50,5	27	111	1/8"	15	119	68	27	304	316
PVF50☉15-M				50	60	33	124			131				
PVF50☉20-M			3/4"	50	60	33	132	1/8"	16	140	75	32		
PVF50☉25-M				50	60	33	136			145				
PVF63☉25-M			1"	63	75	41	162	1/8"	17	169	90	40		
PVF63☉32-M				63	75	41	174			187				
PVF90☉32-M			1-1/4"	90	106	55	223	1/8"	21	235	116	50		
PVF63☉40-M				1-1/2"	63	75	41			175				
PVF90☉40-M			90		106	55	223	1/8"	21	235	116	56		
PVF63☉50-M			2"	63	75	41	183			201				
PVF90☉50-M				90	106	55	232	1/8"	22	250	138	69		
PVF125A☉65-M			2-1/2"	125 (Aluminium)	148	74	302			1/4"				
PVF125A☉80-M			3"	125 (Aluminium)	148	74	313	1/4"	27	372	210	100		

Technical data (N.O. - N.C. versions)

CODE	☉ = Function		G connection	KV (m³/h)	Actuator (mm)	Maximum ΔP (bar) (N.O.)		Maximum ΔP (bar) (N.C.)		Pilot pressure (bar)	☉ = Material		
	N.O.	N.C.				Above seat	Under seat	Above seat	Under seat		AISI		
PVF40☉15-M	0	1	1/2"	4,8	40	16	16	16	13	3 ... 8	304	316	
PVF50☉15-M				4,8	50	16	16	16	14				
PVF50☉20-M			3/4"	10	50	12	16	16	14				
PVF50☉25-M				1"	14	50	3	13	16				8
PVF63☉25-M			14		63	16	16	16	13				
PVF63☉32-M			1-1/4"	23	63	14	13	16	6				
PVF90☉32-M				23	90	/	/	16	16				
PVF63☉40-M			1-1/2"	30	63	14	7	16	5				
PVF90☉40-M				30	90	/	16	16	16				
PVF63☉50-M			2"	70	63	6	5	9	3				
PVF90☉50-M				70	90	/	12	16	10				
PVF125A☉65-M			2-1/2"	107	125 (Aluminium)	/	14	16	9				
PVF125A☉80-M			3"	157	125 (Aluminium)	/	12	12	5				3 ... 10

Pneumatic symbol



Construction characteristics	Technical characteristics (Valve body)	Technical characteristics (Actuator)
<ul style="list-style-type: none"> <li>- High flow rate thanks to body configuration with inclined seating</li> <li>- Anti water hammer functioning with input below poppet</li> <li>- Pneumatically operated valve with stainless steel body, resistant to ambient corrosion</li> <li>- Self-levelling poppet to ensure improved sealing</li> <li>- Optical position indicator</li> <li>- Self-adjusting maintenance free stuffer seals package</li> <li>- Valves may be mounted in all positions</li> </ul> <p><b>OPTIONS (on request):</b></p> <ul style="list-style-type: none"> <li>- Double acting versions are available on request</li> <li>- Connection type: GAS ISO / NPT</li> </ul>	<ul style="list-style-type: none"> <li>- Material: AISI 316/304 stainless steel</li> <li>- Fluid temperature: -10 °C ... + 180 °C</li> <li>- Ambient temperature: -10 °C ... + 80 °C</li> <li>- Fluid viscosity: max. 600cSt.</li> <li>- Poppet: PTFE</li> <li>- Seals package: PTFE and FKM</li> </ul>	<ul style="list-style-type: none"> <li>- Body: AISI 304</li> <li>- Pilot fluid: dry or lubricated air, gas and neutral fluids</li> <li>- Fluid temperature: max. +60 °C</li> </ul>



► 2-way N.C. angle seat valve. Welded connection (Designed to prevent water hammer)

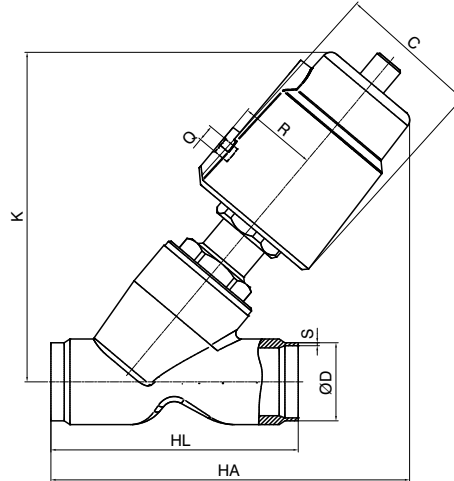


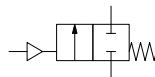
Table of dimensions

CODE	☉= Function		Actuator (mm)	C (mm)	R (mm)	K (mm)	Q (mm)	HA (mm)	HL (mm)	DIN11850-2		DIN11850-3		☉= Material	
	N.O.	N.C.								D	S	D	S	AISI 304	AISI 316
PVF40☉15H-☉	0	1	40	50,5	27	112	1/8"	118	70	19	1,5	20	2	A	B
PVF50☉15H-☉			50	60	33	125		128	20						
PVF50☉20H-☉			50	60	33	132		135	23	24					
PVF50☉25H-☉			50	60	33	136		150	29	30					
PVF63☉25H-☉			63	75	41	162		175	35	36					
PVF63☉32H-☉			63	75	41	174		186				125			
PVF90☉32H-☉			90	106	55	223		232	41	42					
PVF63☉40H-☉			63	75	41	175		190				130			
PVF90☉40H-☉			90	106	55	223		235	53	54					
PVF63☉50H-☉			63	75	41	183		206				155			
PVF90☉50H-☉			90	106	55	232		250							

Technical data (N.O. - N.C. versions)

CODE	☉= Function		KV (m³/h)	Actuator (mm)	Maximum ΔP (bar) (N.O.)		Maximum ΔP (bar) (N.C.)		Pilot pressure (bar)	☉= Material	
	N.O.	N.C.			Above seat	Under seat	Above seat	Under seat		AISI 304	AISI 316
PVF40☉15H-☉	0	1	4,8	40	16	16	16	13	3 ... 8	A	B
PVF50☉15H-☉			4,8	50	16	16	16	14			
PVF50☉20H-☉			10	50	12	16	16	14			
PVF50☉25H-☉			14	50	3	13	16	8			
PVF63☉25H-☉			14	63	16	16	16	13			
PVF63☉32H-☉			23	63	14	13	16	6			
PVF90☉32H-☉			23	90	/	/	16	16			
PVF63☉40H-☉			30	63	14	7	16	5			
PVF90☉40H-☉			30	90	/	16	16	16			
PVF63☉50H-☉			70	63	6	5	9	3			
PVF90☉50H-☉			70	90	/	12	16	10			

Pneumatic symbol



Construction characteristics	Technical characteristics (Valve body)	Technical characteristics (Actuator)
<ul style="list-style-type: none"> <li>- High flow rate thanks to body configuration with inclined seating</li> <li>- Anti water hammer functioning with input below poppet</li> <li>- Pneumatically operated valve with stainless steel body, resistant to ambient corrosion</li> <li>- Self-levelling poppet to ensure improved sealing</li> <li>- Optical position indicator</li> <li>- Self-adjusting maintenance free stuffer seals package</li> <li>- Valves may be mounted in all positions</li> </ul> <p><b>OPTIONS (on request):</b></p> <ul style="list-style-type: none"> <li>- Double acting versions are available on request</li> </ul>	<ul style="list-style-type: none"> <li>- Material: AISI 316/304 stainless steel</li> <li>- Fluid temperature: -10 °C ... +180 °C</li> <li>- Ambient temperature: -10 °C ... +80 °C</li> <li>- Fluid viscosity: max. 600cSt.</li> <li>- Poppet: PTFE</li> <li>- Seals package: PTFE and FKM</li> </ul>	<ul style="list-style-type: none"> <li>- Body: AISI 304</li> <li>- Pilot fluid: dry or lubricated air, gas and neutral fluids</li> <li>- Fluid temperature: max. +60 °C</li> </ul>



บริษัท ฟลูเทค จำกัด  
FLU-TECH CO.,LTD

845/3-4 หมู่ 3 ถ.เทพารักษ์ ต.เทพารักษ์ อ.เมือง จ.สมุทรปราการ 10270  
845/3-4 Thepharak RD., T.Thepharak, A.Muang, Samutprakarn 10270 THAILAND  
Tel. 0 2384 6060, Fax 0 2384 5701, Email : sales@flutech.co.th, www.flutech.co.th

2-way N.C. angle seat valve. Clamp (Designed to prevent water hammer)

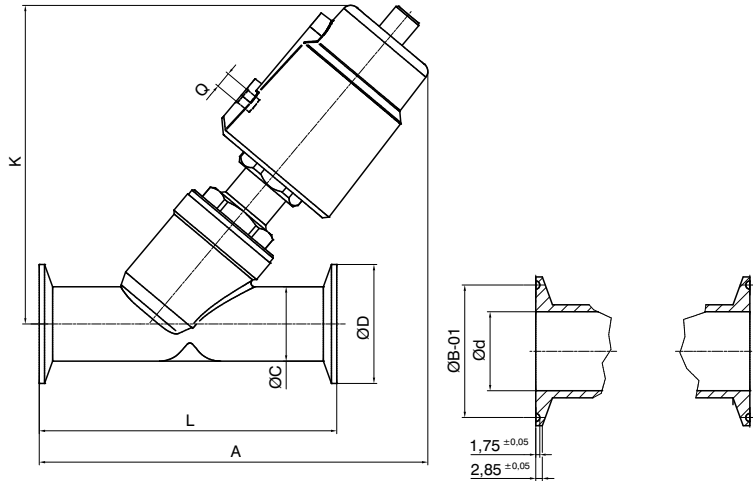


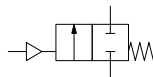
Table of dimensions

CODE	⊕ = Function		Actuator (mm)	A (mm)	K (mm)	Q (mm)	L (mm)	C (mm)	B (mm)	Ød	ØD	Ⓜ = Material	
	N.O.	N.C.										AISI 304	AISI 316
PVF40⊕15K-Ⓜ	0	1	40	130	115	1/8"	80	19	27,5	15	34	A	B
PVF50⊕15K-Ⓜ			50	140	126								
PVF50⊕20K-Ⓜ			50	158	148		130	25	43,5	19	50,5		
PVF50⊕25K-Ⓜ			50	165	140								
PVF63⊕25K-Ⓜ			63	188	166		130	32	43,5	27	50,5		
PVF63⊕32K-Ⓜ			63	200	174								
PVF90⊕32K-Ⓜ			90	245	223		146	37	43,5	31	50,5		
PVF63⊕40K-Ⓜ			63	210	175								
PVF90⊕40K-Ⓜ			90	255	223		160	40	56,5	33	64		
PVF63⊕50K-Ⓜ			63	221	185								
PVF90⊕50K-Ⓜ			90	265	235		175	53	56,5	45	64		

Technical data (N.O. - N.C. versions)

CODE	⊕ = Function		KV (m³/h)	Actuator (mm)	Maximum ΔP (bar) (N.O.)		Maximum ΔP (bar) (N.C.)		Pilot pressure (bar)	Ⓜ = Material	
	N.O.	N.C.			Above seat	Under seat	Above seat	Under seat		AISI 304	AISI 316
PVF40⊕15K-Ⓜ	0	1	4,8	40	16	16	16	13	3 ... 8	A	B
PVF50⊕15K-Ⓜ			4,8	50	16	16	16	14			
PVF50⊕20K-Ⓜ			10	50	12	16	16	14			
PVF50⊕25K-Ⓜ			14	50	3	13	16	8			
PVF63⊕25K-Ⓜ			14	63	16	16	16	13			
PVF63⊕32K-Ⓜ			23	63	14	13	16	6			
PVF90⊕32K-Ⓜ			23	90	/	/	16	16			
PVF63⊕40K-Ⓜ			30	63	14	7	16	5			
PVF90⊕40K-Ⓜ			30	90	/	16	16	16			
PVF63⊕50K-Ⓜ			70	63	6	5	9	3			
PVF90⊕50K-Ⓜ			70	90	/	12	16	10			

Pneumatic symbol



Construction characteristics	Technical characteristics (Valve body)	Technical characteristics (Actuator)
<ul style="list-style-type: none"> <li>- High flow rate thanks to body configuration with inclined seating</li> <li>- Anti water hammer functioning with input below poppet</li> <li>- Pneumatically operated valve with stainless steel body, resistant to ambient corrosion</li> <li>- Self-levelling poppet to ensure improved sealing</li> <li>- Optical position indicator</li> <li>- Self-adjusting maintenance free stuffer seals package</li> <li>- Valves may be mounted in all positions</li> </ul> <p><b>OPTIONS (on request):</b></p> <ul style="list-style-type: none"> <li>- Double acting versions are available on request</li> </ul>	<ul style="list-style-type: none"> <li>- Material: AISI 316/304 stainless steel</li> <li>- Fluid temperature: -10 °C ... +180 °C</li> <li>- Ambient temperature: -10 °C ... +80 °C</li> <li>- Fluid viscosity: max. 600cSt.</li> <li>- Poppet: PTFE</li> <li>- Seals package: PTFE and FKM</li> </ul>	<ul style="list-style-type: none"> <li>- Body: AISI 304</li> <li>- Pilot fluid: dry or lubricated air, gas and neutral fluids</li> <li>- Fluid temperature: max. +60 °C</li> </ul>



2-way N.C. angle seat valve. Flange mounting (Designed to prevent water hammer)

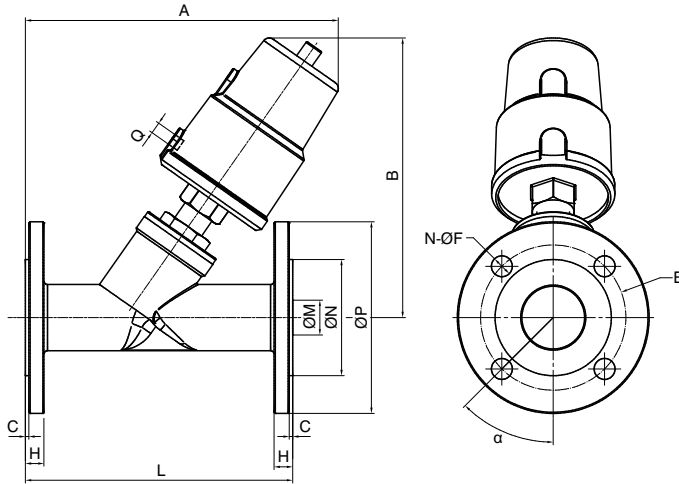


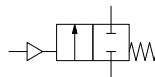
Table of dimensions

CODE	☉= Function		Actuator (mm)	A (mm)	B (mm)	Q (mm)	L (mm)	C (mm)	H (mm)	ØE	N-ØF	ØM	ØN	ØP	α	☉= Material	
	N.O.	N.C.														AISI 304	AISI 316
PVF40-15F-M	0	1	40	135	125	1/8"	130	2	14	65	4-14	16	45	95	45°	A	B
PVF50-15F-M			50	145	140		150	2	14	75	4-14	19	56	105			
PVF50-20F-M			50	165	140		160	2	14	85	4-14	26	65	115			
PVF50-25F-M			50	170	145		160	2	14	85	4-14	26	65	115			
PVF63-25F-M			63	190	175		180	2	16	100	4-18	31	78	140			
PVF63-32F-M			63	190	188		180	2	16	100	4-18	31	78	140			
PVF90-32F-M			90	230	235		200	3	16	110	4-18	38	84	150			
PVF63-40F-M			63	206	190		200	3	16	110	4-18	38	84	150			
PVF90-40F-M			90	250	240		230	3	16	125	4-18	49	100	165			
PVF63-50F-M			63	235	195		230	3	16	125	4-18	49	100	165			
PVF90-50F-M	90	277	245														

Technical data (N.O. - N.C. versions)

CODE	☉= Function		KV (m³/h)	Actuator (mm)	Maximum ΔP (bar) (N.O.)		Maximum ΔP (bar) (N.C.)		Pilot pressure (bar)	☉= Material	
	N.O.	N.C.			Above seat	Under seat	Above seat	Under seat		AISI 304	AISI 316
PVF40-15F-M	0	1	4,8	40	16	16	16	13	3 ... 8	A	B
PVF50-15F-M			4,8	50	16	16	16	14			
PVF50-20F-M			10	50	12	16	16	14			
PVF50-25F-M			14	50	3	13	16	8			
PVF63-25F-M			14	63	16	16	16	13			
PVF63-32F-M			23	63	14	13	16	6			
PVF90-32F-M			23	90	/	/	16	16			
PVF63-40F-M			30	63	14	7	16	5			
PVF90-40F-M			30	90	/	16	16	16			
PVF63-50F-M			70	63	6	5	9	3			
PVF90-50F-M	70	90	/	12	16	10					

Pneumatic symbol



Construction characteristics	Technical characteristics (Valve body)	Technical characteristics (Actuator)
<ul style="list-style-type: none"> <li>- High flow rate thanks to body configuration with inclined seating</li> <li>- Anti water hammer functioning with input below poppet</li> <li>- Pneumatically operated valve with stainless steel body, resistant to ambient corrosion</li> <li>- Self-levelling poppet to ensure improved sealing</li> <li>- Optical position indicator</li> <li>- Self-adjusting maintenance free stuffer seals package</li> <li>- Valves may be mounted in all positions</li> </ul> <p><b>OPTIONS (on request):</b></p> <ul style="list-style-type: none"> <li>- Double acting versions are available on request</li> </ul>	<ul style="list-style-type: none"> <li>- Material: AISI 316/304 stainless steel</li> <li>- Fluid temperature: -10 °C ... +180 °C</li> <li>- Ambient temperature: -10 °C ... +80 °C</li> <li>- Fluid viscosity: max. 600cSt.</li> <li>- Poppet: PTFE</li> <li>- Seals package: PTFE and FKM</li> </ul>	<ul style="list-style-type: none"> <li>- Body: AISI 304</li> <li>- Pilot fluid: dry or lubricated air, gas and neutral fluids</li> <li>- Fluid temperature: max. +60 °C</li> </ul>

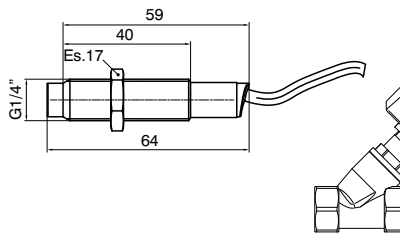


บริษัท ฟลูเทค จำกัด  
FLU-TECH CO.,LTD

845/3-4 หมู่ 3 ถ.เทพารักษ์ ต.เทพารักษ์ อ.เมือง จ.สมุทรปราการ 10270  
845/3-4 Thepharak RD., T.Thepharak, A.Muang, Samutprakarn 10270 THAILAND  
Tel. 0 2384 6060, Fax 0 2384 5701, Email : sales@flutech.co.th, www.flutech.co.th



► Proximity sensor



Ordering code	
<b>PVF.0.S</b>	
OUTPUT TYPE	
01 = NPN (N.C.)	
● 02 = NPN (N.O.)	
03 = PNP (N.C.)	
04 = PNP (N.O.)	

Nickel brass sensor, usable on valves up to size 2 inches for detection ON - OFF  
Cable: 2 m  
**OPTIONS (on request):**  
A reduction is available for sizes 2 1/2" and 3".

**Operational characteristics**

Maximum current (mA)	Voltage field (VDC)	Temperature (°C)	Detection distance	IP Rating	Weight (g)
100	10 ... 30	-10 ... +70	3 mm (max) ±10%	IP67	69

PNEUMAX FLUID CONTROL

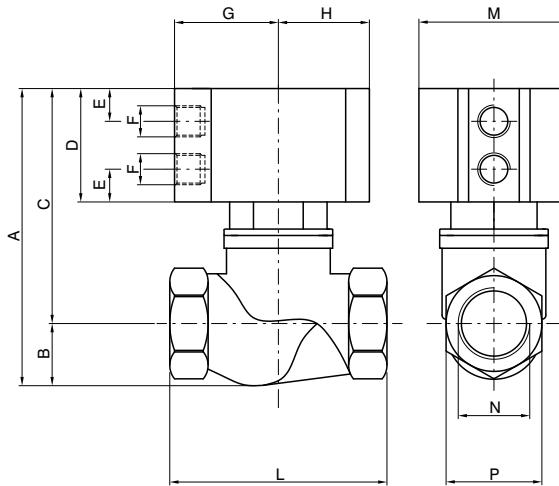




**Series PVA**

Brass body angle seat valves and pad valve.

▶ **"T" body version pad valve**



Ordering code	
<b>PVA.B.A.P.T.C.M</b>	
ACTING	
A	DE= Double acting
	SC= Normally closed
	SA= Normally open
PISTON	
P	N= Non magnetic
	M= Magnetic
CONNECTIONS	
A	G1/4"
B	G3/8"
C	G1/2"
D	G3/4"
E	G1"
F	G1 1/4"
G	G1 1/2"
H	G2"
SEALS	
M	N= NBR
	V= FPM
	F= PTFE

**Table of dimensions**

Connection (N)	Non magnetic piston			Magnetic piston			B	E	F	G	H	L	M	P
	A	C	D	A	C	D								
G1/4"	93,5	77,5	41	97,5	81,5	45	16	10,25	G1/8"	32,5	28,5	64	47	25
G3/8"	93,5	77,5	41	97,5	81,5	45	16	10,25		32,5	28,5	64	47	25
G1/2"	93,5	78	41	99,5	82	45	17,5	10,25		32,5	28,5	68	47	30
G3/4"	105	83	41	113	90	48	22	11,25		44	40	79	70	36
G1"	117	89	41	125	101	53	28	11,25		44	40	94	70	44
G1 1/4"	131	103	48	136	108	53	28	11,25		44	40	110	70	55
G1 1/2"	154	118	57	166	130	69	36	13,75		56	49	120	90	60
G2"	169	124	57	181	136	69	45	13,75		56	49	140	90	73

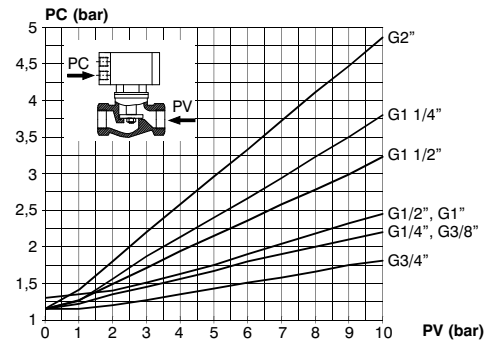
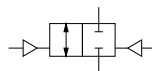
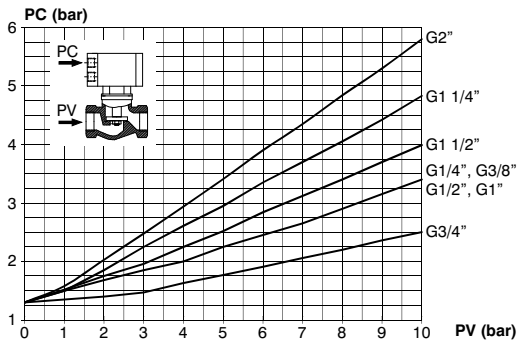
**Technical data**

Actuator (Ø)	Valve (Ø)	Weight (g)
40	13,5	350
40	13,5	350
40	15	400
63	20,5	850
63	25	1100
63	30	1400
80	38	2100
80	49,5	3000

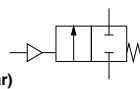
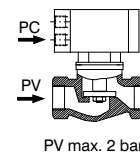
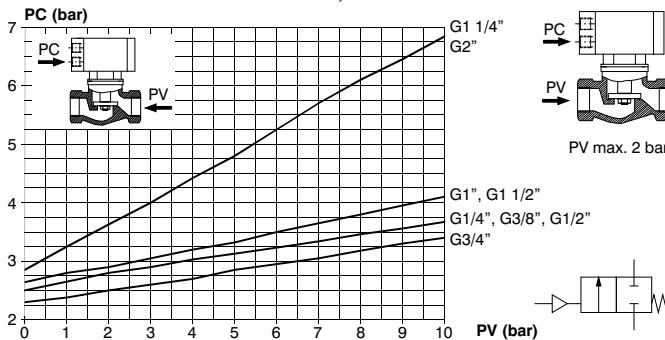
2-way valves, for interception of fluids, pneumatically actuated by a compact double or single acting cylinder with 360° swivel connections, NBR, FPM or PTFE seals in contact with the fluid. The barrel profile allows the use of magnetic sensors PNEUMAX code "1500\_", "RS\_.", "RS\_.", "HS\_." for sensor slot type "A" (see section 3, magnetic sensors series "SA" of the Pneumax General Catalogue).

**Pressure curves**

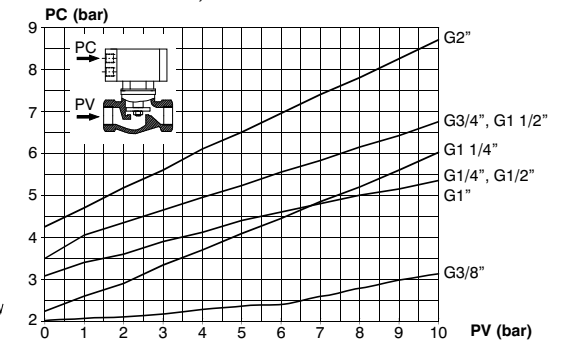
**DOUBLE ACTING CYLINDER**



**SINGLE ACTING CYLINDER, NORMALLY CLOSED VALVE**



**SINGLE ACTING CYLINDER, NORMALLY OPEN VALVE**



**Construction characteristics**

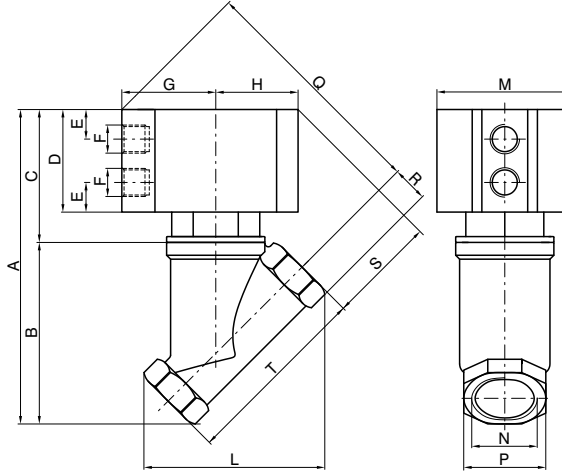
- Rear eye, piston and rod bushing: anodised aluminium
- Cylinder: aluminium alloy anodised
- Springs: zinc plated steel
- Seals in contact with fluid: NBR, FPM, PTFE
- Pneumatic cylinder seals: NBR, FPM, PTFE
- Piston rod: chromed stainless steel
- Bushing, bushing pad, nut pad: brass

**Technical characteristics**

Pneumatic cylinder fluid	Filtered air. No lubrication needed, if applied it shall be continuous
Valve fluid	Compatible fluid with seals compounds available
Working pressure (Cylinder) (bar)	10
Temperature °C (Non magnetic piston, NBR seals)	-10 ... +70
Temperature °C (Non magnetic piston, FPM seals)	-10 ... +150
Temperature °C (Non magnetic piston, PTFE seals)	-10 ... +150
Temperature °C (Magnetic piston, NBR, FPM, PTFE seals)	-10 ... +70



“Y” body version pad valve



Ordering code	
<b>PVA.B.A.ⓐ.Y.ⓐ.M</b>	
ACTING	DE= Double acting
ⓐ	SC= Normally closed
	SA= Normally open
PISTON	
ⓑ	N= Non magnetic
	M= Magnetic
CONNECTIONS	
A=	G1/4"
B=	G3/8"
C=	G1/2"
ⓐ	D= G3/4"
	E= G1"
	F= G1 1/4"
	G= G1 1/2"
	H= G2"
SEALS	
ⓓ	N= NBR
	V= FPM
	F= PTFE

**Table of dimensions**

Connection (N)	Non magnetic piston					Magnetic piston					B	E	F	G	H	L	M	P	R	T
	A	C	D	Q	S	A	C	D	Q	S										
G1/4"	121	71	45	95	51	124	74	48	97	53	50	10,3	G1/8"	32,5	28,5	52	47	21	10,5	50
G3/8"	121	71	45	95	51	124	74	48	97	53	50	10,3		32,5	28,5	52	47	21	10,5	50
G1/2"	127	71	45	97	54	130	74	48	99	56	56	10,3		32,5	28,5	57	47	27	13,5	56
G3/4"	148	80	48	119	66	201	133	104	175	92	68	11,3		44	40	70	70	32	16	66
G1"	159	75	48	123	75	215	131	104	175	92	84	11,3		44	40	82	70	38	19	78
G1 1/4"	184	91	65	140	70	231	138	112	172	96	93	11,3		44	40	105	70	47	23,5	101
G1 1/2"	180	99	81	173	85	255	129	111	187	107	126	13,8		56	49	125	90	55	27,5	113
G2"	246	106	88	182	88	269	129	111	203	109	140	13,8		56	49	136	90	68	34	125

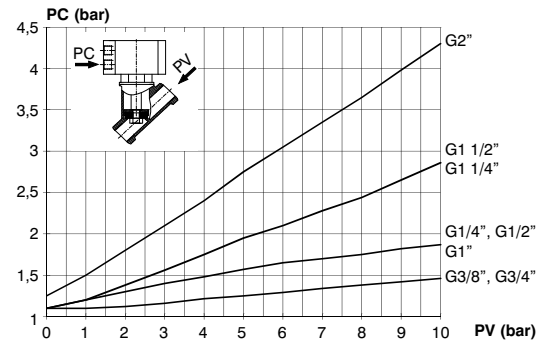
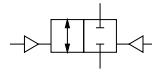
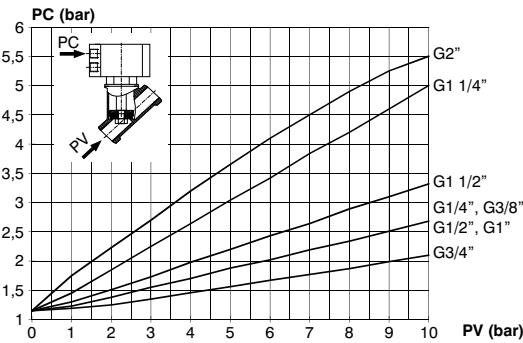
**Technical data**

Actuator (Ø)	Valve (Ø)	Weight (g)
40	13	350
40	13	350
40	13	400
63	18	850
63	21,5	850
63	30	1200
80	36	2000
80	46	2300

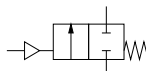
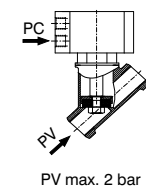
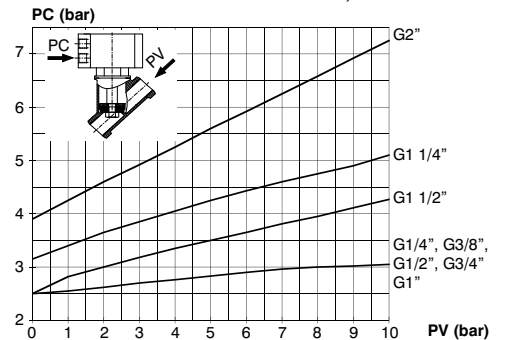
2-way valves, for interception of fluids, pneumatically actuated by a compact double or single acting cylinder with 360° swivel connections, NBR, FPM or PTFE seals in contact with the fluid. The barrel profile allows the use of magnetic sensors PNEUMAX code "1500\_...", "RS\_...", "RS\_...", "HS\_...", for sensor slot type "A" (see section 3, magnetic sensors series "SA" of the Pneumax General Catalogue).

**Pressure curves**

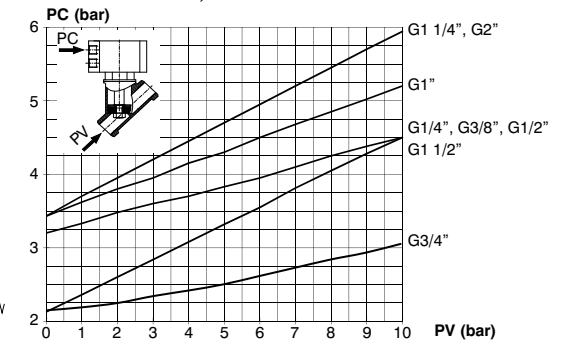
**DOUBLE ACTING CYLINDER**



**SINGLE ACTING CYLINDER, NORMALLY CLOSED VALVE**



**SINGLE ACTING CYLINDER, NORMALLY OPEN VALVE**



Construction characteristics	Technical characteristics
<ul style="list-style-type: none"> <li>Rear eye, piston and rod bushing: anodised aluminium</li> <li>Cylinder: aluminium alloy anodised</li> <li>Springs: zinc plated steel</li> <li>Seals in contact with fluid: NBR, FPM, PTFE</li> <li>Pneumatic cylinder seals: NBR, FPM, PTFE</li> <li>Piston rod: chromed stainless steel</li> <li>Bushing, bushing pad, nut pad: brass</li> </ul>	<p>Pneumatic cylinder fluid</p> <p>Filtered air. No lubrication needed, if applied it shall be continuous</p> <p>Valve fluid</p> <p>Compatible fluid with seals compounds available</p> <p>Working pressure (Cylinder) (bar)</p> <p>10</p> <p>Temperature °C (Non magnetic piston, NBR seals)</p> <p>-10 ... +70</p> <p>Temperature °C (Non magnetic piston, FPM seals)</p> <p>-10 ... +150</p> <p>Temperature °C (Non magnetic piston, PTFE seals)</p> <p>-10 ... +150</p> <p>Temperature °C (Magnetic piston, NBR, FPM, PTFE seals)</p> <p>-10 ... +70</p>



## HEADQUARTERS



**PNEUMAX**

### PNEUMAX S.P.A.

Via Cascina Barbellina, 10  
24050 Lurano (BG) - Italia  
Tel. 035/4192777  
Fax 035/4192740 - 035/4192741  
info@pneumaxspa.com  
[www.pneumaxspa.com](http://www.pneumaxspa.com)

## WORLDWIDE NETWORK

### EUROPE

#### ALBANIA

**Industrial Air Solution shpk**  
Rruga industriale Tirane Vore, km 11,  
1032 Vore Tirane  
Tel. +355 69 40 80 349  
info@iasolution.al  
[www.iasolution.al](http://www.iasolution.al)

#### AUSTRIA AND SWITZERLAND

Managed by Pneumax GmbH (Germany)

#### BELGIUM

**Pneuvano BV**  
Koralenhoeve 4  
2160, Wommelgem  
Tel. +32 3 355 32 20  
info@pneuvano.com  
[www.pneuvano.com](http://www.pneuvano.com)

#### BULGARIA

**Ulmer DM OOD**  
Adam Mizkevich Str. 4a, 1360, Sofia  
Tel. +359 (2) 9259951  
office@ulmer.bg  
[www.ulmer.bg](http://www.ulmer.bg)

#### CYPRUS

**G C V Spare Parts & Services Ltd**  
Industrial Area, Anatoniko 8086  
P.O. Box 62731, Paphos  
Tel. +357 26812444  
gcv.cy@cytanet.com.cy  
[www.gcv-parts.com](http://www.gcv-parts.com)

#### CROATIA

**ProElektronika d.o.o. - Zagabria**  
Stefanovecka 10, 10040, Zagabria  
Tel. +385 (0)1 5588 988  
info@proelektronika.hr  
[www.proelektronika.hr](http://www.proelektronika.hr)

#### ESTONIA

**Alas-Kuul AS**  
Loomäe tee 1, Lehmja küla  
75306, Rae vald Harjumaa  
Tel. +372 6593 218  
info@alas-kuul.ee  
[www.alas-kuul.ee](http://www.alas-kuul.ee)

#### FRANCE

**Pneumax France SAS**  
Z.I. NORD PARADIES 7  
Rue de Waldkirch - BP 42  
67601, Selestat CEDEX  
Tel. +33 (3) 88580450  
commercial@pneumax-france.fr  
[www.pneumax-france.fr](http://www.pneumax-france.fr)

#### GERMANY

**Pneumax GmbH**  
Tantalstraße 4  
63571, Gelnhausen  
Tel. +49 (0) 6051 9777 0  
info@pneumax-gmbh.de  
[www.pneumax.de](http://www.pneumax.de)

#### GREECE

**Hydropneumatic Hellas S.A.**  
69, Spirou Patsi Str. T.K., 118 55, Atene  
Tel. +30 (210) 3474181-2-3  
info@mitsis.com.gr  
[www.mitsis.com.gr](http://www.mitsis.com.gr)

#### UNITED KINGDOM

**Pneumax UK Ltd.**  
110 Vista Park,  
Mauretania Road  
SO16 0YS, Nursling  
Tel. +44 2380 740412  
sales@pneumax.co.uk  
[www.pneumax.co.uk](http://www.pneumax.co.uk)

#### ICELAND

**Barki E.H.F. Ltd**  
Nybylavegi 22, 200, Kópavogur  
Tel. +354 554 6499  
barkiea@islandia.is

#### LITHUANIA

**UAB "Domingos prekyba"**  
Savanoriu PR 187-4 Korp, 2053, Vilnius  
Tel. +370 5 2322231  
info@dominga.lt  
[www.dominga.lt](http://www.dominga.lt)

#### NORTHERN MACEDONIA

**DIL KOM DOOEL**  
St. Joska Jordanoski No 657500, Prilep  
Tel. +389 78244177  
export.dilkom@gmail.com  
[www.dilkom.mk](http://www.dilkom.mk)

#### MALTA

**iAutomate Limited**  
San Bernard, Marsa MRS 1332, Malta  
Tel. +356 2786 3996  
matthew@iautomate.mt  
[www.iautomate.mt](http://www.iautomate.mt)

#### NETHERLANDS

**Pneu/Tec B.V.**  
Dirk Storklaan 75, 2132 PX, Hoofddorp  
Tel. +31 (0) 235699090  
sales@pneutec.nl  
[www.pneutec.nl](http://www.pneutec.nl)

#### POLAND

**Rectus Polska SP. Z.O.O.**  
Gumna 96, 43-426, Debowiec  
Tel. +48 (33) 857 98 00  
pneumax@pneumax.pl  
[www.pneumax.pl](http://www.pneumax.pl)

#### PORTUGAL

**Portugal Pneumax Lda**  
Complexo Industrial da  
Granja Fracção H-Casarias  
2625-607, Vialonga  
Tel. +351 (219) 737390  
geral@pneumax.pt  
[www.pneumax.pt](http://www.pneumax.pt)

#### CZECH REPUBLIC

**Pneumax Automation s.r.o.**  
U Panského mlýna 240/9,  
747 06, Opava  
Tel. +420 553 760 953  
pneumax@pneumaxsro.cz  
[www.pneumaxsro.cz](http://www.pneumaxsro.cz)

#### ROMANIA

**Gica Import Export**  
Zona Industriala de Vest str. II nr. 5,  
310491, Arad  
Tel. +40 257 259816  
comercial@gica.ro  
[www.gica.ro](http://www.gica.ro)



บริษัท ฟลูเทค จำกัด  
**FLU-TECH CO.,LTD**

845/3-4 หมู่ 3 ต.เทพารักษ์ ต.เทพารักษ์ อ.เมือง จ.สมุทรปราการ 10270  
845/3-4 Thepharak RD., T.Thepharak, A.Muang, Samutprakarn 10270 THAILAND  
Tel. 0 2384 6060, Fax 0 2384 5701, Email : sales@flutech.co.th, www.flutech.co.th



**WORLDWIDE NETWORK**

**DENMARK - FINLAND  
NORWAY - SWEDEN  
(SCANDINAVIA)**

**Pneumax Scandinavia AB**  
Strandvägen 101, SE-234 31, Lomma  
Tel. +46 (40) 617 40 40  
info@pneumax.se  
[www.pneumax.se](http://www.pneumax.se)



**SERBIA**

**Hidraulika DOO**  
Cirila i Metodija 15, 15000, Šabac  
Tel. +381 15 360 090  
info@hidraulika.rs  
[www.hidraulika.rs](http://www.hidraulika.rs)

**SLOVENIA**

**Hidravlika d.o.o.**  
Medlog, 16, 3000, Celje  
Tel. +386 (3) 5453610  
info@hidravlika.si  
[www.hidravlika.si](http://www.hidravlika.si)

**TRG d.o.o.**

Celovška cesta 150, 1000, Ljubljana  
+386 1 500 14 51  
info@podjetje-trg.si  
[www.podjetje-trg.si](http://www.podjetje-trg.si)

**SPAIN**

**Pneumax S.A.**  
Olaso Kalea, 54, 20870, Elgoibar  
Tel. +34 943 744144  
pneumax@pneumax.es  
[www.pneumax.es](http://www.pneumax.es)



**Pneumax Catalunya S.A.**

C/Riera de Vallvidrera,  
Parc. 2N. 1 Pl. Riera del Moli  
8750, Molins de Rei  
Tel. +34 (93) 680 25 30  
pneumax@pneumaxcat.com  
[www.pneumax.es](http://www.pneumax.es)



**TURKEY**

**Eteknik Otomasyon Tic. Ltd. Sti**  
Perpa Ticaret Merkezi B Blok Kat:11 No:1636 Ok-  
meydanı Sisli (Istanbul)  
Tel. +90 212 320 81 10  
recepcaakar@eteknik.com  
[www.eteknik.com](http://www.eteknik.com)

**UKRAINE**

**UKRTECHTRONIC LLC.**  
st. Nyzhnoyurkivska, 9, 04080, Kiev  
Tel. +38 044 500 98 48  
sales@techtronic.com.ua  
[www.techtronic.com.ua](http://www.techtronic.com.ua)

**HUNGARY**

**Szele-Tech Bt.**  
Gvadányi u. 33-39. I. em. 108., 1141, Budapest  
Tel. +36 1 401 0023  
info@szele-tech.hu  
[www.szele-tech.hu](http://www.szele-tech.hu)

**NORTH AMERICA**

**CANADA**

**Manufacture Scorpion Inc.**  
561, rue Edouard, J2G 3Z5, Granby  
Tel. +1 (450) 378-3595  
contact@mscorpion.com  
[www.manufacturescorpion.com](http://www.manufacturescorpion.com)

**USA**

**Pneumax Automation LLC**  
128 Durkee Lane, Dallas  
NC 28034 - USA  
Tel.: +1 704 215 6991  
Fax: +1 888 613 6529  
info@pneumax.us  
[www.pneumax.us](http://www.pneumax.us)



**MEXICO**

**Pneumatecna S.A. DE C.V. - Zapopan**  
Calle Volcán Popocatepetl 1844, Colli Urbano  
45070, Zapopan, Jalisco  
Tel. +52 33 31255978  
pneumatecna@yahoo.com.mx  
[www.pneumatecna.com.mx](http://www.pneumatecna.com.mx)

**CENTRAL AMERICA**

**COSTA RICA**

**PYASA Proyectos y Automatización S.A.**  
Oficentro Santa María Oficina 1A,  
50 metros Norte  
Del Hampton Inn & Suites, Alajuela  
Tel. +506 2441-5129 / 2441-5130  
info@pyasa.net  
<https://pyasa.net>

**EL SALVADOR**

**Tecni Equipos S.A. de C.V.**  
Av. Sierra Nevada, 704 Edificio CC, 2  
Colonia Miramonte, San Salvador  
Tel. (503) 2260-8293  
Tel. (503) 2261-1497  
[tecniequipos.com.vt](http://tecniequipos.com.vt)

**GUATEMALA**

**PYASA Proyectos y Automatización S.A.**  
Avenida 3era 13-30 El Rosario Ofibodegas  
San Javier zona 3 de Mixco bodega 7  
Città del Guatemala  
Tel. +502 24911414  
info@pyasa.net  
<https://pyasa.net>

**NICARAGUA**

**PYASA Proyectos y Automatización S.A.**  
Plaza Maranhao, local 7, Reparto Los Robles, o  
bien, del Hotel Seminole 100 m sur,  
1/2 m al oeste  
Managua  
Tel. +505-2255-6840  
info@pyasa.net  
<https://pyasa.net>

**SOUTH AMERICA**

**ARGENTINA**

**Figli Daniele S.r.l.**  
PTE PERON 3234  
San Justo - Pcia De Bs As.  
Tel. +54 11 4484-2074  
Fax +54 11 4651-6721  
bruno@dinautomacion.com.ar  
[www.dinautomacion.com.ar](http://www.dinautomacion.com.ar)

**BRAZIL**

**Pneumax Brasil**  
Rua Apucarana 211  
8301050, São José dos Pinhais  
Tel. +55 41 33987262  
diretoria@pneumaxbr.com.br  
[www.pneumaxbr.com.br](http://www.pneumaxbr.com.br)



**CHILE**

**Schultz Automatización e Ingeniería Ltda**  
El Retiro 1247 - Enea - Pudahuel, Santiago  
Tel. +56 (2) 4951400  
jschultz@schultzautomatizacion.cl  
[www.schultzsa.cl](http://www.schultzsa.cl)

**COLOMBIA**

**Soluciones Neumaticas S.A.S.**  
Calle. 21 #1-21, Barrio San Nicolas, Cali  
Tel. +57 (2) 4897647  
ingenieria@solucionesneumaticas.com  
[www.solucionesneumaticas.com](http://www.solucionesneumaticas.com)

**ECUADOR**

**Equipos para automatización  
Industrial Equipautind S.A.**  
Km 12,5 de la vía a Daule s/n entre  
La Ciudadela el caracol y el motel las Palmas  
090706, Guayaquil  
Tel. +593-42017785 / 2017914  
info@equipautind.com.ec  
[www.equipautind.com.ec](http://www.equipautind.com.ec)

**AINSA S.A.**

Av. Juan Tanco Marengo  
Km 2,5 y Agustín Freire  
EC090509, Guayaquil  
Tel. +593-4 3712670  
info@ainsa.com.ec  
[www.ainsa.com.ec](http://www.ainsa.com.ec)

**PERU**

**Neumatec Perú S.A.C.**  
Calle General Suárez 1023,  
Miraflores, Lima 18  
Tel. +51 (1) 4442499  
ventas@neumatecperu.com  
[www.neumatecperu.com](http://www.neumatecperu.com)

**WEF Perú S.A.C.**

Jr. Dinamarca 1427,  
LIMA 01, Cercado de Lima  
Tel. +51 1 4255740  
oficinacentral@wefperu.com  
[www.wefperu.com](http://www.wefperu.com)

**URUGUAY**

**Secoin S.A**  
General Aguilar 1270 bis,  
Gral. Fausto Aguilar 1270,  
11800 Departamento de Montevideo  
Tel. +598 2209 3815  
ventas@secoin.com.uy  
[www.secoin.com.uy](http://www.secoin.com.uy)

**VENEZUELA**

**Sinteco Barquisimeto**  
AV.Las Industrias Km2,  
Edif. Centro de servicios  
mercantiles local 2, Barquisimeto  
Tel. +58 414 3500587  
sintecobarqto@gmail.com





## AFRICA

### ALGERIA

**C.M.P.R. Sarl**  
23 Rue Lalla Fatma N'Soumeur Hassen  
Badi El-Harrach, Algeri  
Tel. +213 21 82 70 69  
tn.cmpr@yahoo.fr

### EGYPT

**Egyptian Engineering**  
Shop 6 building no 1 Jordan co.  
10th Of Ramadan City  
Tel. +20554368385  
Fax: +20554368385  
info@eehydronpneu.com  
[www.eefhydronpneu.com](http://www.eefhydronpneu.com)

### ALKHAMIS Hydraulic Company

A/6 Elfarouqia Buildings -Gesr  
El Suis St., El Nozha Cairo  
Tel. +20 2 26206391/3/2  
Fax: +20 2 26206394  
gkhamisimp@gmail.com  
[www.alkhamis-eg.com](http://www.alkhamis-eg.com)

### GHANA

**Cemix Limited**  
34 SPINTEX ROAD-ACCRA-GHANA-WEST  
Tel. +233 0302 817030  
sales@cemixghana.com  
[www.cemixghana.com](http://www.cemixghana.com)

### MOROCCO

**R2i TFZ**  
lIot 87, 1er étage, Bureau 20,  
zone franche d'Exportation Tanger  
Tel. +212 539 39 10 17  
r2itfz@r2imaroc.ma  
[www.r2itfz.com](http://www.r2itfz.com)

### TUNISIA

**L'Equipement moderne**  
86, Av. de Carthage, 1000, Tunis  
Tel. +216 71 343844  
equipement.moderne@planet.tn  
[www.equipementmoderne.com.tn](http://www.equipementmoderne.com.tn)

## ASIA

### SAUDI ARABIA

**Arabian Universal Establishment for Trading**  
Southern Shopping Center, P.O BOX 3105  
21471, Jeddah  
Tel. +966 26 477159  
bassam@aue-co.com  
[www.arabianuniversal.com](http://www.arabianuniversal.com)

### CHINA

**Pneumax Pneumatic Equipments Co., Ltd.**  
No. 76, Jinma Rd., Jiufu Economic  
Development Zone, Jiuting Town  
201615, PRC, Shanghai  
Tel. +86 (21) 57763100  
sales@pneumaxchina.com  
[www.pneumaxchina.com](http://www.pneumaxchina.com)



### UNITED ARAB EMIRATES

**Fine Industrial & Agri ENG. Services**  
P. O. BOX 5763, Sharja UAE  
Tel. +971 (6) 5335434  
fineinds@emirates.net.ae

### PHILIPPINES

**Integrated Hydro-Pneumatic Systems, Inc.**  
N°4 St. Thomas Avenue,  
Lopez Commercial Area  
Sucat, Parañaque City  
Tel. +632 02 820-0569  
integhps@iconex.net

### JORDAN

**Al Sultan Company**  
P.O. Box 620996  
11162, Amman  
Tel: + 962 6 4753764  
info@alsultanco.com  
[www.alsultanco.com](http://www.alsultanco.com)

### INDIA

**Pneumax Pneumatic**  
India Pvt. Ltd.  
D-82, Hosiery Complex, Phase-II extrn.  
201305, Noida, UP  
Tel. +91 (120) 4352560 / 61 / 62  
info@pneumax-india.com  
[www.pneumaxindia.com](http://www.pneumaxindia.com)



### INDONESIA

Managed by Pneumax Singapore Pte Ltd

**PT. Mutiara Citramulia Teknindo**  
Ruko Karawaci Residence Blok A1,  
No. 17 Jl. Raya  
Legok. Bojong Nangka Kelapa Dua  
Serpong-Tangerang 15810, Banten, 15810,  
Giacarta  
Tel. +62 21 29324792  
pneumaxmct@cbn.net.id  
[www.pneumaxspa.com/en](http://www.pneumaxspa.com/en)

### IRAN

**Ital Electro Pneumatic**  
NO. 204-2ND FLOOR-TAGHINIA  
BLDG-SOUTH SA'ADI STREET  
114715719, Teheran  
Tel. +98 (21) 33919177  
info@italpneum.com

### ISRAEL

**Ilan & Gavish**  
Yokneam Ilit 20692  
POB 335, Soltam Site  
Tel. +972 3 9221824  
mail@ilan-gavish.com  
[www.ilan-gavish.co.il](http://www.ilan-gavish.co.il)

### LEBANON

**Yamine Trading Company SARL**  
Boushrieh, Industrial City, P.O. Box 90 684  
Jdeideh, El Metn 1202  
2060, Beirut  
Tel. +961 1 885520  
info@yamminetrading.com  
[www.yamminetrading.com](http://www.yamminetrading.com)

## MALAYSIA

Managed by Pneumax Singapore Pte Ltd  
PSI Pneumatic Control Sdn Bhd  
4M (1) Desa Universiti Commercial Complex,  
Jalan Sungai Dua  
11700, Penang  
Tel. +60 4 6592627  
sales-psi@airdynamics.com.sg

## OMAN

**Muscat Pneumatic System & Project LLC**  
Shop # 1484, Building # 1450B,  
P.O. Box 105 PC: 120,  
Muscat, Sultanate Of Oman  
Tel. +968 93989398  
sales@muscat-pneumatic.com

## PAKISTAN

**Fluid Teknik**  
Suite 101-104 Industrial Town Plaza, Opp. Sind  
Madressah, Shahrah-e-Liaquat  
74000, Karachi  
Tel. +92 (21) 2410335  
info@fluid-technik.com.pk  
[www.fluid-technik.com.pk](http://www.fluid-technik.com.pk)

## SINGAPORE

**Pneumax Singapore Pte Ltd**  
51, Ubi Avenue 1/ 01-16,  
Paya Ubi Industrial Park  
408933, Singapore  
Tel. +65 6392 0581  
sales@pneumax.com.sg  
[www.pneumax.com.sg](http://www.pneumax.com.sg)



## SYRIA

**Al Rowad Trading**  
P.O. BOX. 12806  
Damascus  
Tel: +963 944 228 955  
alrowadtrading01@hotmail.com

## THAILAND

**Thai Agency Engineering Co. LTD**  
9 Soi Yasooop 2, 2nd-3rd Floor, Vorasin  
building, Vipavadirangsit Road, Ladyao  
10900, Chumphon  
Tel: +66 (2) 6915900  
taec@bkk.loxinfo.co.th  
[www.thai-a.com](http://www.thai-a.com)

## OCEANIA

### AUSTRALIA

**Air Automation Group Pty Ltd**  
15 Broadhurst Rd,  
Ingleburn NSW 2565  
Tel. +61 02 9618 6777  
sales@airautomation.com.au  
[www.airautomation.com.au](http://www.airautomation.com.au)

### NEW ZEALAND

**Treotham Automation Pty Ltd**  
Level 4, 21 Putney Way,  
Manukau Auckland 2104  
Tel. +64 9278 6577  
Fax: +64 9278 6578  
info@treotham.co.nz  
[www.treotham.co.nz](http://www.treotham.co.nz)



**PNEUMAX**

**PNEUMAX S.p.A.**

Via Cascina Barbellina, 10

24050 Lurano (BG) - Italy

P. +39 035 41 92 777

[info@pneumaxspa.com](mailto:info@pneumaxspa.com)

[www.pneumaxspa.com](http://www.pneumaxspa.com)