

WWW.FLUTECH.CO.TH



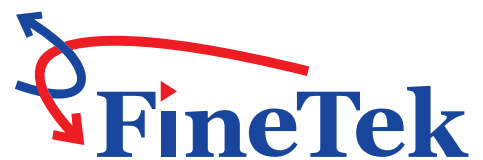
ADD FRIEND
@flutech.co.th



บริษัท ฟลูเทค จำกัด
Flu-tech co.,ltd

Authorized Distributor

Pressure Switch



Innovation · Quality · Sharing

SQ24 SPST TYPE



TYPE	SQ245 Series			SQ246 Series			SQ24U Series		
Hex length	24mm			24mm			24mm		
Body material	Zinc-Plated Steel ROHS			SUS316			Brass		
Wiring	Screw	Push-on	Spade Terminal	Screw	Push-on	Spade Terminal	Screw	Push-on	Spade Terminal
Contact rating (Max.)	4A/ 50Vdc, 4A/ 250Vac			4A/ 50Vdc, 4A/ 250Vac			4A/ 50Vdc, 4A/ 250Vac		
Response frequency	2Hz			2Hz			2Hz		
Max. Voltage peak	1.5KV (IEC60947-2)			1.5KV (IEC60947-2)			1.5KV (IEC60947-2)		
Electric insulation	100MΩ(IEC60092-54 section3)			100MΩ(IEC60092-54 section3)			100MΩ(IEC60092-54 section3)		
Membrane materials/ Operation temperature	NBR(Standard) -10~100°C VITON -10~100°C EPDM -10~100°C NBR(Low Temp.) -30~100°C VITON(Low Temp.) -30~100°C EPDM(Low Temp.) -30~100°C			NBR(Standard) -10~100°C VITON -10~100°C EPDM -10~100°C NBR(Low Temp.) -30~100°C VITON(Low Temp.) -30~100°C EPDM(Low Temp.) -30~100°C			NBR(Standard) -10~100°C VITON -10~100°C EPDM -10~100°C NBR(Low Temp.) -30~100°C VITON(Low Temp.) -30~100°C EPDM(Low Temp.) -30~100°C		
Pressure range	0.2~99bar (≤20bar with UL certification)			0.2~99bar (≤20bar with UL certification)			0.2~99bar (≤20bar with UL certification)		
Piping selection	M10*1 (taper) M10*1, M12*1.5 PT1/8", PT1/4" G1/8", G1/4" NPT 1/8", NPT 1/4"			M10*1 (taper) M10*1, M12*1.5 PT1/8", PT1/4" G1/8", G1/4" NPT 1/8", NPT 1/4"			M10*1 (taper) M10*1, M12*1.5 PT1/8", PT1/4" G1/8", G1/4" NPT 1/8", NPT 1/4"		
Contact model	NO, NC			NO, NC			NO, NC		
Protection	IP67 (IEC 60529)			IP67 (IEC 60529)			IP67 (IEC 60529)		
Mechanical life	1.5X10 ⁶ cycles (in 50 bar)			1.5X10 ⁶ cycles (in 50 bar)			1.5X10 ⁶ cycles (in 50 bar)		
Screw torque	<0.35Nm			<0.35Nm			<0.35Nm		
Shock resistance	ISO / IEC 17025, Half Sine Wave, Acceleration: 30G@14ms, ±X, ±Y, ±Z axis			ISO / IEC 17025, Half Sine Wave, Acceleration: 30G@14ms, ±X, ±Y, ±Z axis			ISO / IEC 17025, Half Sine Wave, Acceleration: 30G@14ms, ±X, ±Y, ±Z axis		
Vibration resistance	ISO / IEC 17025, Sine Wave, 5-200 Hz, Acceleration: 10G, Displacement: 16 mm, Sweeping Rate: 1 Oct/ min, Test Direction: X, Y, Z axis, Test Time: 1hr for each			ISO / IEC 17025, Sine Wave, 5-200 Hz, Acceleration: 10G, Displacement: 16 mm, Sweeping Rate: 1 Oct/ min, Test Direction: X, Y, Z axis, Test Time: 1hr for each			ISO / IEC 17025, Sine Wave, 5-200 Hz, Acceleration: 10G, Displacement: 16 mm, Sweeping Rate: 1 Oct/ min, Test Direction: X, Y, Z axis, Test Time: 1hr for each		

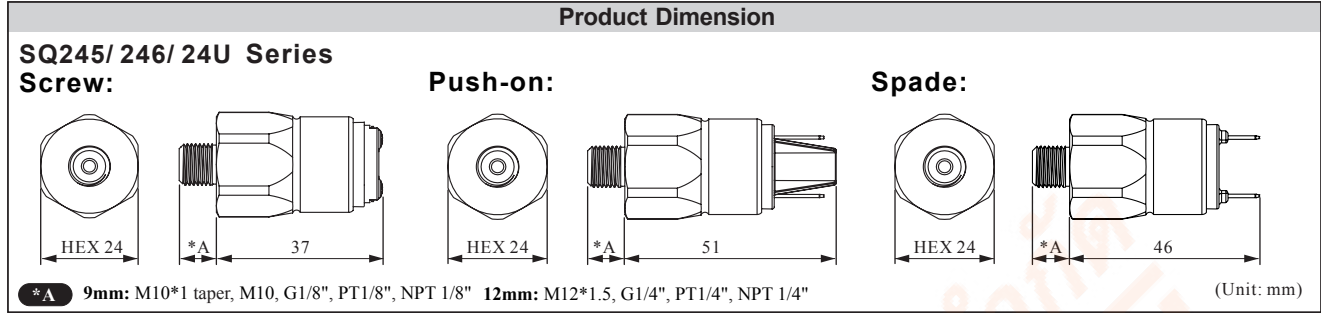
Feature

- Robust In Any Severe Application
- Customized Body Housing
(steel, Sus316, Brass)
- Selectable Contact
(Gold Contact or Silver Contact)
- Screw / Push-on Terminal Contact Selectable
- High Quality And Cost Effective
- Adjustable Pressure Range Setting

Application

- Pressure Detection For Automobile Braking System
- Pressure Control For Piping System
- Hydraulic Detection For Fire Fighting System
- Hydraulic Industry
- Lubrication System
- Sprinkler System
- Air Compressor
- Medical Equipment
- Tire Manufacturing

PRODUCT DIMENSION/ PRESSURE RANGE TOLERANCE



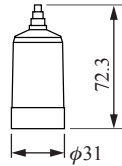
SQ24 Series Field Adjustable/ Fixed Pressure

※ ≤20bar with UL certification

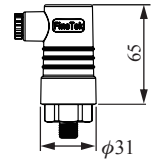
Pressure range	Tolerance	Connection
0.2~0.9bar	±0.1bar	M10X1 (taper)
		M10X1
		M12X1.5
		1/8"PT
		1/4"PT
		1/8"G
		1/4"G
		1/8"NPT
1~9.9bar	±0.5bar	M10X1 (taper)
		M10X1
		M12X1.5
		1/8"PT
10~19bar	±5%	1/4"PT
		1/8"G
		1/4"G
		1/8"NPT
20~49bar	±5%	1/4"NPT
		M10X1 (taper)
		M10X1
		M12X1.5
50~99bar	±5%	1/8"PT
		1/4"PT
		1/8"G
		1/4"G
		1/8"NPT
		1/4"NPT
		M10X1 (taper)
		M10X1

Option:

Body Protect Cover: SQXAM1P-07D0000001
Material: NBR
Protection Grade: IP67



Body Protect Cover: SQXCM1P-PGA0000001
Material: Nylon
Protection Grade: IP67
★ Only SQ24 Push-on Type to use.



To comply with CE, SQ24 series need to add anti-dust cover.

SQ24 HIGH PRESSURE SPST TYPE



TYPE	SQ245 Series	SQ246 Series
Hex Length	24mm	24mm
Body Material	Zinc-Plated Steel ROHS	SUS316
Wiring	Screw Push-on Spade Terminal	Screw Push-on Spade Terminal
Contact rating (Max.)	4A/ 50Vdc, 4A/ 250Vac	4A/ 50Vdc, 4A/ 250Vac
Response Frequency	2Hz	2Hz
Max. Voltage Peak	1.5KV (IEC60947-2)	1.5KV (IEC60947-2)
Electric Insulation	100MΩ(IEC60092-54 section3)	100MΩ(IEC60092-54 section3)
Operation Temperature	-10°C ~100°C (IEC 60068-2-2)	-10°C ~100°C (IEC 60068-2-2)
Pressure Range	100~300bar	100~300bar
Pressure Acting Variation	± 5% full set point range @20°C	± 5% full set point range @20°C
Piping Selection	M10*1 (taper) M10*1, M12*1.5 PT1/8", PT1/4" G1/8", G1/4" NPT 1/8", NPT 1/4"	M10*1 (taper) M10*1, M12*1.5 PT1/8", PT1/4" G1/8", G1/4" NPT 1/8", NPT 1/4"
Contact Model	NO, NC	NO, NC
Body Protection	IP00 (IEC 60529)	IP00 (IEC 60529)
Protection	IP67 (IEC 60529)	IP67 (IEC 60529)
Mechanical Life	1.5X10 ⁶ cycles (in 50 bar)	1.5X10 ⁶ cycles (in 50 bar)
Screw Torque	<0.35Nm	<0.35Nm
Shock Resistance	ISO / IEC 17025, Half Sine Wave, Acceleration: 30G@14ms, ±X, ±Y, ±Z axis	ISO / IEC 17025, Half Sine Wave, Acceleration: 30G@14ms, ±X, ±Y, ±Z axis
Vibration Resistance	ISO / IEC 17025, Sine Wave, 5-200 Hz, Acceleration: 10G, Displacement: 16 mm, Sweeping Rate: 1 Oct/ min, Test Direction: X, Y, Z axis, Test Time: 1hr for each	ISO / IEC 17025, Sine Wave, 5-200 Hz, Acceleration: 10G, Displacement: 16 mm, Sweeping Rate: 1 Oct/ min, Test Direction: X, Y, Z axis, Test Time: 1hr for each

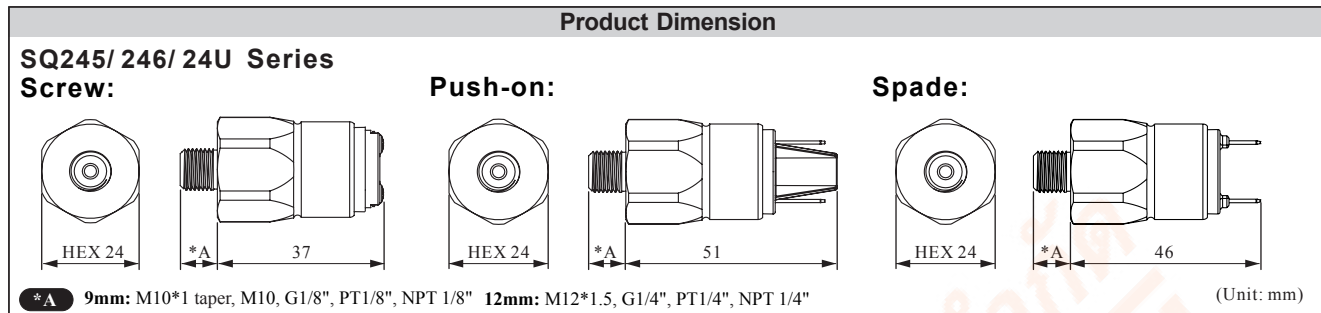
Feature

- Robust In Any Severe Application
- Customized Body Housing (steel, Sus316, Brass)
- Selectable Contact (Gold Contact or Silver Contact)
- Screw / Push-on Terminal Contact Selectable
- High Quality And Cost Effective
- Adjustable Pressure Range Setting

Application

- Pressure Detection For Automobile Braking System
- Pressure Control For Piping System
- Hydraulic Detection For Fire Fighting System
- Hydraulic Industry
- Lubrication System
- Sprinkler System
- Air Compressor
- Medical Equipment
- Tire Manufacturing

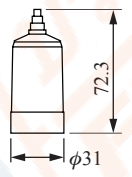
PRODUCT DIMENSION/ PRESSURE RANGE TOLERANCE



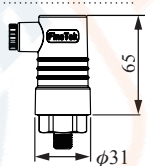
SQ24 Series Field Adjustable/ Fixed Pressure

Pressure range	Tolerance	Connection
100~300bar	± 5%	M10X1 (taper)
		M10X1
		M12X1.5
		1/8"PT
		1/4"PT
		1/8"G
		1/4"G
		1/8"NPT
1/4"NPT		

Option:
 Body Protect Cover: SQXAM1P-07D0000001
 Material: NBR
 Protection Grade: IP67



Body Protect Cover: SQXCM1P-PGA0000001
 Material: Nylon
 Protection Grade: IP67
 ★ Only SQ24 Push-on Type to use.



To comply with CE, SQ24 series need to add anti-dust cover.

SQ24 WITH EXTENSION SOCKET

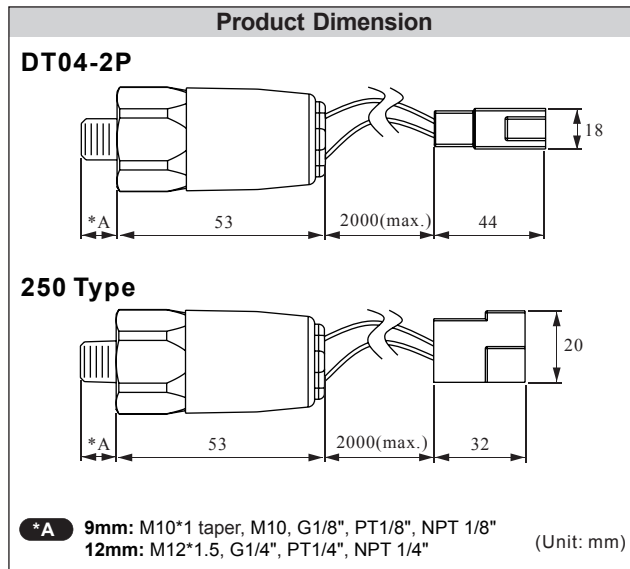


TYPE	SQ245 Series	SQ246 Series	SQ24U Series
Hex Length	24mm	24mm	24mm
Body Material	Zinc-Plated Steel	SUS316	Brass
Wiring	DT04-2P, 250 Type	DT04-2P, 250 Type	DT04-2P, 250 Type
Contact rating (Max.)	4A/ 50Vdc, 4A/ 250Vac	4A/ 50Vdc, 4A/ 250Vac	4A/ 50Vdc, 4A/ 250Vac
Response Frequency	2Hz	2Hz	2Hz
Max. Voltage Peak	1.5KV (IEC60947-2)	1.5KV (IEC60947-2)	1.5KV (IEC60947-2)
Electric Insulation	100MΩ(IEC60092-54 section3)	100MΩ(IEC60092-54 section3)	100MΩ(IEC60092-54 section3)
Membrane materials/ Operation temperature	NBR(Standard) -10~100°C VITON -10~100°C EPDM -10~100°C NBR(Low Temp.) -30~100°C VITON(Low Temp.) -30~100°C EPDM(Low Temp.) -30~100°C	NBR(Standard) -10~100°C VITON -10~100°C EPDM -10~100°C NBR(Low Temp.) -30~100°C VITON(Low Temp.) -30~100°C EPDM(Low Temp.) -30~100°C	NBR(Standard) -10~100°C VITON -10~100°C EPDM -10~100°C NBR(Low Temp.) -30~100°C VITON(Low Temp.) -30~100°C EPDM(Low Temp.) -30~100°C
Pressure Range	0.2~300bar	0.2~300bar	0.2~300bar
Piping Selection	M10*1 (taper) M10*1, M12*1.5 PT1/8", PT1/4" G1/8", G1/4" NPT 1/8", NPT 1/4"	M10*1 (taper) M10*1, M12*1.5 PT1/8", PT1/4" G1/8", G1/4" NPT 1/8", NPT 1/4"	M10*1 (taper) M10*1, M12*1.5 PT1/8", PT1/4" G1/8", G1/4" NPT 1/8", NPT 1/4"
Contact Model	NO, NC	NO, NC	NO, NC
Protection	IP67 (IEC 60529)	IP67 (IEC 60529)	IP67 (IEC 60529)
Mechanical Life	1.5X10 ⁶ cycles (in 50 bar)	1.5X10 ⁶ cycles (in 50 bar)	1.5X10 ⁶ cycles (in 50 bar)
Shock Resistance	ISO / IEC 17025, Half Sine Wave, Acceleration: 30G@14ms, ±X, ±Y, ±Z axis	ISO / IEC 17025, Half Sine Wave, Acceleration: 30G@14ms, ±X, ±Y, ±Z axis	ISO / IEC 17025, Half Sine Wave, Acceleration: 30G@14ms, ±X, ±Y, ±Z axis
Vibration Resistance	ISO / IEC 17025, Sine Wave, 5-200 Hz, Acceleration: 10G, Displacement: 16 mm, Sweeping Rate: 1 Oct/ min, Test Direction: X, Y, Z axis, Test Time: 1hr for each	ISO / IEC 17025, Sine Wave, 5-200 Hz, Acceleration: 10G, Displacement: 16 mm, Sweeping Rate: 1 Oct/ min, Test Direction: X, Y, Z axis, Test Time: 1hr for each	ISO / IEC 17025, Sine Wave, 5-200 Hz, Acceleration: 10G, Displacement: 16 mm, Sweeping Rate: 1 Oct/ min, Test Direction: X, Y, Z axis, Test Time: 1hr for each

Feature
<ul style="list-style-type: none"> ■ Robust In Any Severe Application ■ Customized Body Housing (steel, Sus316, Brass) ■ Selectable Contact (gold Contact Or Silver Contact) ■ Screw / Push-on Terminal Contact Selectable ■ High Quality And Cost Effective ■ Adjustable Pressure Range Setting

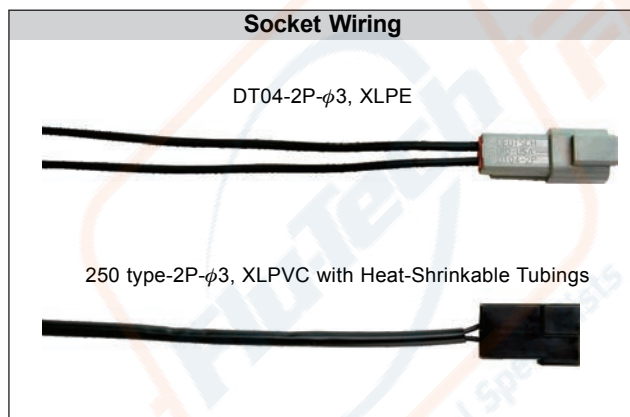
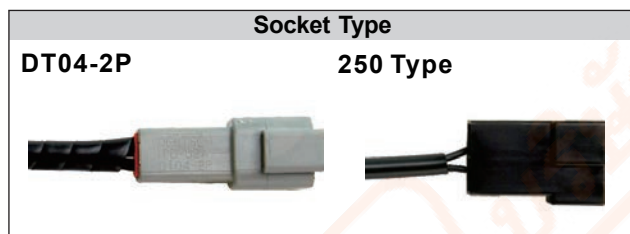
Application
<ul style="list-style-type: none"> ■ Pressure Detection For Automobile Braking System ■ Pressure Control For Piping System ■ Hydraulic Detection For Fire Fighting System ■ Hydraulic Industry ■ Lubrication System ■ Sprinkler System ■ Air Compressor ■ Medical Equipment ■ Tire Manufacturing

PRODUCT DIMENSION/ PRESSURE RANGE TOLERANCE



SQ24 Series Fixed Pressure

Pressure range	Tolerance	Connection
0.2~0.9 bar	± 0.1 Bar	M10X1 (taper)
		M10X1
		M12X1.5
1~9.9 bar	± 0.5 Bar	1/8"PT
		1/4"PT
		1/8"G
100~300 bar	± 5 %	1/4"G
		1/8"NPT
		1/4"NPT



SQ27 SPDT TYPE

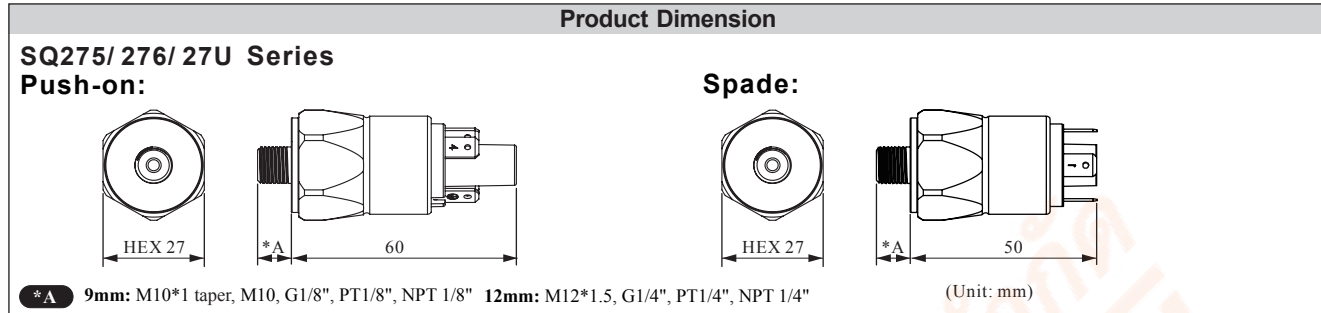


TYPE	SQ275 Series		SQ276 Series		SQ27U Series	
Hex Length	27mm		27mm		27mm	
Body Material	Zinc-Plated Steel		SUS316		Brass	
Wiring	Push-on	Spade Terminal	Push-on	Spade Terminal	Push-on	Spade Terminal
Contact rating (Max.)	2A/ 50Vdc, 4A/ 250Vac		2A/ 50Vdc, 4A/ 250Vac		2A/ 50Vdc, 4A/ 250Vac	
Response Frequency	2Hz		2Hz		2Hz	
Max. Voltage Peak	1.5KV (IEC60947-2)		1.5KV (IEC60947-2)		1.5KV (IEC60947-2)	
Electric Insulation	100MΩ(IEC60092-54 section3)		100MΩ(IEC60092-54 section3)		100MΩ(IEC60092-54 section3)	
Membrane materials/ Operation temperature	NBR(Standard) -10~100°C VITON -10~100°C EPDM -10~100°C NBR(Low Temp.) -30~100°C VITON(Low Temp.) -30~100°C EPDM(Low Temp.) -30~100°C		NBR(Standard) -10~100°C VITON -10~100°C EPDM -10~100°C NBR(Low Temp.) -30~100°C VITON(Low Temp.) -30~100°C EPDM(Low Temp.) -30~100°C		NBR(Standard) -10~100°C VITON -10~100°C EPDM -10~100°C NBR(Low Temp.) -30~100°C VITON(Low Temp.) -30~100°C EPDM(Low Temp.) -30~100°C	
Pressure Range	0.3~100bar (≤20bar with UL certification)		0.3~100bar (≤20bar with UL certification)		0.3~100bar (≤20bar with UL certification)	
Piping Selection	M10*1 (taper) M10*1, M12*1.5 PT1/8", PT1/4" G1/8", G1/4" NPT 1/8", NPT 1/4"		M10*1 (taper) M10*1, M12*1.5 PT1/8", PT1/4" G1/8", G1/4" NPT 1/8", NPT 1/4"		M10*1 (taper) M10*1, M12*1.5 PT1/8", PT1/4" G1/8", G1/4" NPT 1/8", NPT 1/4"	
Contact Model	SPDT		SPDT		SPDT	
Body Protection	IP00 (IEC 60529)		IP00 (IEC 60529)		IP00 (IEC 60529)	
Protection	IP65 (IEC 60529)		IP65 (IEC 60529)		IP65 (IEC 60529)	
Mechanical Life	1.5X10 ⁶ cycles (in 50 bar)		1.5X10 ⁶ cycles (in 50 bar)		1.5X10 ⁶ cycles (in 50 bar)	
Screw Torque	<0.35Nm		<0.35Nm		<0.35Nm	
Shock Resistance	ISO / IEC 17025, Half Sine Wave, Acceleration: 30G@14ms, ±X, ±Y, ±Z axis		ISO / IEC 17025, Half Sine Wave, Acceleration: 30G@14ms, ±X, ±Y, ±Z axis		ISO / IEC 17025, Half Sine Wave, Acceleration: 30G@14ms, ±X, ±Y, ±Z axis	
Vibration Resistance	ISO / IEC 17025, Sine Wave, 5-200 Hz, Acceleration: 10G, Displacement: 16 mm, Sweeping Rate: 1 Oct/ min, Test Direction: X, Y, Z axis, Test Time: 1hr for each		ISO / IEC 17025, Sine Wave, 5-200 Hz, Acceleration: 10G, Displacement: 16 mm, Sweeping Rate: 1 Oct/ min, Test Direction: X, Y, Z axis, Test Time: 1hr for each		ISO / IEC 17025, Sine Wave, 5-200 Hz, Acceleration: 10G, Displacement: 16 mm, Sweeping Rate: 1 Oct/ min, Test Direction: X, Y, Z axis, Test Time: 1hr for each	

Feature
<ul style="list-style-type: none"> ■ Robust In Any Severe Application ■ Customized Body Housing (steel, Sus316, Brass) ■ Selectable Contact (gold Contact Or Silver Contact) ■ Screw / Push-on Terminal Contact Selectable ■ High Quality And Cost Effective ■ Adjustable Pressure Range Setting

Application
<ul style="list-style-type: none"> ■ Pressure Detection For Automobile Braking System ■ Pressure Control For Piping System ■ Hydraulic Detection For Fire Fighting System ■ Hydraulic Industry ■ Lubrication System ■ Sprinkler System ■ Air Compressor ■ Medical Equipment ■ Tire Manufacturing

PRODUCT DIMENSION/ PRESSURE RANGE TOLERANCE



SQ27 Series Field Adjustable/ Fixed Pressure

※ ≤20bar with UL certification

Pressure range	Tolerance	Connection
0.3~0.9bar	± 0.1 bar	M10X1 (taper)
		M10X1
		M12X1.5
		1/8"PT
		1/4"PT
		1/8"G
		1/4"G
		1/8"NPT
1~9.9bar	± 0.5 bar	1/4"NPT
		M10X1 (taper)
		M10X1
		M12X1.5
10~19bar	± 5%	1/8"PT
		1/4"PT
		1/8"G
		1/4"G
20~49bar	± 5%	1/8"NPT
		1/4"NPT
		M10X1 (taper)
		M10X1
		M12X1.5
		1/8"PT
		1/4"PT
		1/8"G
1/4"G		
50~100bar	± 5%	1/8"NPT
		1/4"NPT
		M10X1 (taper)
		M10X1
		M12X1.5
		1/8"PT
		1/4"PT
		1/8"G
1/4"G		

SQ27 DIN TYPE



TYPE	SQ275 Series	SQ276 Series	SQ27U Series
Hex Length	27mm	27mm	27mm
Body Material	Zinc-Plated Steel ROHS	SUS316	Brass
Contact rating (Max.)	2A/ 50Vdc, 4A/ 250Vac	2A/ 50Vdc, 4A/ 250Vac	2A/ 50Vdc, 4A/ 250Vac
Response Frequency	2Hz	2Hz	2Hz
Max. Voltage Peak	1.5KV (IEC60947-2)	1.5KV (IEC60947-2)	1.5KV (IEC60947-2)
Electric Insulation	100MΩ(IEC60092-54 section3)	100MΩ(IEC60092-54 section3)	100MΩ(IEC60092-54 section3)
Membrane materials/ Operation temperature	NBR(Standard) -10~100°C VITON -10~100°C EPDM -10~100°C NBR(Low Temp.) -30~100°C VITON(Low Temp.) -30~100°C EPDM(Low Temp.) -30~100°C	NBR(Standard) -10~100°C VITON -10~100°C EPDM -10~100°C NBR(Low Temp.) -30~100°C VITON(Low Temp.) -30~100°C EPDM(Low Temp.) -30~100°C	NBR(Standard) -10~100°C VITON -10~100°C EPDM -10~100°C NBR(Low Temp.) -30~100°C VITON(Low Temp.) -30~100°C EPDM(Low Temp.) -30~100°C
Pressure Range	0.3~100bar (≤20bar with UL certification)	0.3~100bar (≤20bar with UL certification)	0.3~100bar (≤20bar with UL certification)
Piping Selection	M10*1 (taper) M10*1, M12*1.5 PT1/8", PT1/4" G1/8", G1/4" NPT 1/8", NPT 1/4"	M10*1 (taper) M10*1, M12*1.5 PT1/8", PT1/4" G1/8", G1/4" NPT 1/8", NPT 1/4"	M10*1 (taper) M10*1, M12*1.5 PT1/8", PT1/4" G1/8", G1/4" NPT 1/8", NPT 1/4"
Contact Model	SPDT	SPDT	SPDT
Protection	IP65 (IEC 60529)	IP65 (IEC 60529)	IP65 (IEC 60529)
Mechanical Life	1.5X10 ⁶ cycles (in 50 bar)	1.5X10 ⁶ cycles (in 50 bar)	1.5X10 ⁶ cycles (in 50 bar)
Screw Torque	<0.35Nm	<0.35Nm	<0.35Nm
Shock Resistance	ISO / IEC 17025, Half Sine Wave, Acceleration: 30G@14ms, ±X, ±Y, ±Z axis	ISO / IEC 17025, Half Sine Wave, Acceleration: 30G@14ms, ±X, ±Y, ±Z axis	ISO / IEC 17025, Half Sine Wave, Acceleration: 30G@14ms, ±X, ±Y, ±Z axis
Vibration Resistance	ISO / IEC 17025, Sine Wave, 5-200 Hz, Acceleration: 10G, Displacement: 16 mm, Sweeping Rate: 1 Oct/ min, Test Direction: X, Y, Z axis, Test Time: 1hr for each	ISO / IEC 17025, Sine Wave, 5-200 Hz, Acceleration: 10G, Displacement: 16 mm, Sweeping Rate: 1 Oct/ min, Test Direction: X, Y, Z axis, Test Time: 1hr for each	ISO / IEC 17025, Sine Wave, 5-200 Hz, Acceleration: 10G, Displacement: 16 mm, Sweeping Rate: 1 Oct/ min, Test Direction: X, Y, Z axis, Test Time: 1hr for each

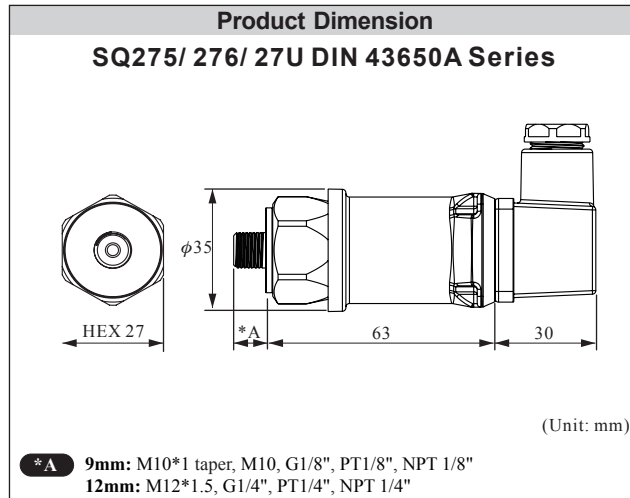
Feature

- Robust In Any Severe Application
- Customized Body Housing
(steel, Sus316, Brass)
- Selectable Contact
(Gold Contact or Silver Contact)
- Screw / Push-on Terminal Contact Selectable
- High Quality And Cost Effective
- Adjustable Pressure Range Setting

Application

- Pressure Detection For Automobile Braking System
- Pressure Control For Piping System
- Hydraulic Detection For Fire Fighting System
- Hydraulic Industry
- Lubrication System
- Sprinkler System
- Air Compressor
- Medical Equipment
- Tire Manufacturing

PRODUCT DIMENSION/ PRESSURE RANGE TOLERANCE



SQ27 DIN Series Field Adjustable/ Fixed Pressure

※ ≤20bar with UL certification

Pressure range	Tolerance	Connection
0.3~0.9bar	± 0.1 bar	M10X1 (taper)
		M10X1
		M12X1.5
		1/8"PT
		1/4"PT
		1/8"G
		1/4"G
		1/8"NPT
1~9.9bar	± 0.5 bar	1/4"NPT
		M10X1 (taper)
		M10X1
		M12X1.5
10~19bar	± 5%	1/8"PT
		1/4"PT
		1/8"G
		1/4"G
20~49bar	± 5%	1/8"NPT
		1/4"NPT
		M10X1 (taper)
		M10X1
		M12X1.5
		1/8"PT
		1/4"PT
		1/8"G
1/4"G		
50~100bar	± 5%	1/8"NPT
		1/4"NPT
		M10X1 (taper)
		M10X1
		M12X1.5
		1/8"PT
		1/4"PT
		1/8"G
1/4"G		

SQ34 SPST HIGH ACCURAY TYPE

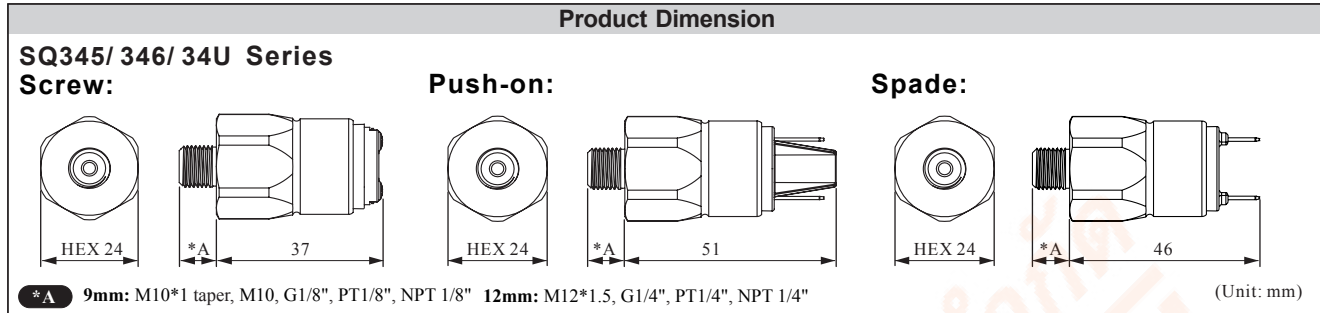


TYPE	SQ345 Series	SQ346 Series	SQ34U Series
Hex length	24mm	24mm	24mm
Body material	Zinc-Plated Steel ROHS	SUS316	Brass
Wiring	Screw Push-on Spade Terminal	Screw Push-on Spade Terminal	Screw Push-on Spade Terminal
Contact rating (Max.)	4A/ 50Vdc, 4A/ 250Vac	4A/ 50Vdc, 4A/ 250Vac	4A/ 50Vdc, 4A/ 250Vac
Response frequency	2Hz	2Hz	2Hz
Max. Voltage peak	1.5KV (IEC60947-2)	1.5KV (IEC60947-2)	1.5KV (IEC60947-2)
Electric insulation	100MΩ(IEC60092-54 section3)	100MΩ(IEC60092-54 section3)	100MΩ(IEC60092-54 section3)
Membrane materials/ Operation temperature	NBR(Standard) -10~100°C VITON -10~100°C EPDM -10~100°C NBR(Low Temp.) -30~100°C VITON(Low Temp.) -30~100°C EPDM(Low Temp.) -30~100°C	NBR(Standard) -10~100°C VITON -10~100°C EPDM -10~100°C NBR(Low Temp.) -30~100°C VITON(Low Temp.) -30~100°C EPDM(Low Temp.) -30~100°C	NBR(Standard) -10~100°C VITON -10~100°C EPDM -10~100°C NBR(Low Temp.) -30~100°C VITON(Low Temp.) -30~100°C EPDM(Low Temp.) -30~100°C
Pressure range	0.2~99bar (≤20bar with UL certification)	0.2~99bar (≤20bar with UL certification)	0.2~99bar (≤20bar with UL certification)
Piping selection	M10*1 (taper) M10*1, M12*1.5 PT1/8", PT1/4" G1/8", G1/4" NPT 1/8", NPT 1/4"	M10*1 (taper) M10*1, M12*1.5 PT1/8", PT1/4" G1/8", G1/4" NPT 1/8", NPT 1/4"	M10*1 (taper) M10*1, M12*1.5 PT1/8", PT1/4" G1/8", G1/4" NPT 1/8", NPT 1/4"
Contact model	NO, NC	NO, NC	NO, NC
Protection	IP67 (IEC 60529)	IP67 (IEC 60529)	IP67 (IEC 60529)
Mechanical life	1.5X10 ⁶ cycles (in 50 bar)	1.5X10 ⁶ cycles (in 50 bar)	1.5X10 ⁶ cycles (in 50 bar)
Screw torque	<0.35Nm	<0.35Nm	<0.35Nm
Shock resistance	ISO / IEC 17025, Half Sine Wave, Acceleration: 30G@14ms, ±X, ±Y, ±Z axis	ISO / IEC 17025, Half Sine Wave, Acceleration: 30G@14ms, ±X, ±Y, ±Z axis	ISO / IEC 17025, Half Sine Wave, Acceleration: 30G@14ms, ±X, ±Y, ±Z axis
Vibration resistance	ISO / IEC 17025, Sine Wave, 5-200 Hz, Acceleration: 10G, Displacement: 16 mm, Sweeping Rate: 1 Oct/ min, Test Direction: X, Y, Z axis, Test Time: 1hr for each	ISO / IEC 17025, Sine Wave, 5-200 Hz, Acceleration: 10G, Displacement: 16 mm, Sweeping Rate: 1 Oct/ min, Test Direction: X, Y, Z axis, Test Time: 1hr for each	ISO / IEC 17025, Sine Wave, 5-200 Hz, Acceleration: 10G, Displacement: 16 mm, Sweeping Rate: 1 Oct/ min, Test Direction: X, Y, Z axis, Test Time: 1hr for each

Feature
<ul style="list-style-type: none"> ■ Robust In Any Severe Application ■ Customized Body Housing (steel, Sus316, Brass) ■ Selectable Contact (Gold Contact or Silver Contact) ■ Screw / Push-on Terminal Contact Selectable ■ High Quality And Cost Effective ■ Adjustable Pressure Range Setting

Application
<ul style="list-style-type: none"> ■ Pressure Detection For Automobile Braking System ■ Pressure Control For Piping System ■ Hydraulic Detection For Fire Fighting System ■ Hydraulic Industry ■ Lubrication System ■ Sprinkler System ■ Air Compressor ■ Medical Equipment ■ Tire Manufacturing

PRODUCT DIMENSION/ PRESSURE RANGE TOLERANCE



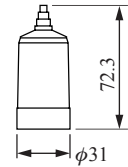
SQ34 Series Field Adjustable Pressure/ Fixed Pressure

※ ≤20bar with UL certification

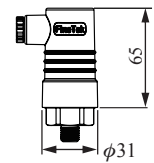
Pressure range	Tolerance	Connection
0.2~0.9bar	±0.05bar	M10X1 (taper)
		M10X1
		M12X1.5
		1/8"PT
		1/4"PT
		1/8"G
		1/4"G
		1/8"NPT
1~9.9bar	±0.3bar	M10X1 (taper)
		M10X1
		M12X1.5
		1/8"PT
		1/4"PT
		1/8"G
		1/4"G
		1/8"NPT
10~19bar	±3%	M10X1 (taper)
		M10X1
		M12X1.5
		1/8"PT
		1/4"PT
		1/8"G
		1/4"G
		1/8"NPT
20~49bar	±3%	M10X1 (taper)
		M10X1
		M12X1.5
		1/8"PT
		1/4"PT
		1/8"G
		1/4"G
		1/8"NPT
50~99bar	±3%	M10X1 (taper)
		M10X1
		M12X1.5
		1/8"PT
		1/4"PT
		1/8"G
		1/4"G
		1/8"NPT
1/4"NPT		

Option:

Body Protect Cover: SQXAM1P-07D0000001
Material: NBR
Protection Grade: IP67



Body Protect Cover: SQXCM1P-PGA0000001
Material: Nylon
Protection Grade: IP67
★ Only SQ34 Push-on Type to use.



To comply with CE, SQ34 series need to add anti-dust cover.

SQ34 SPST HIGH ACCURAY TYPE

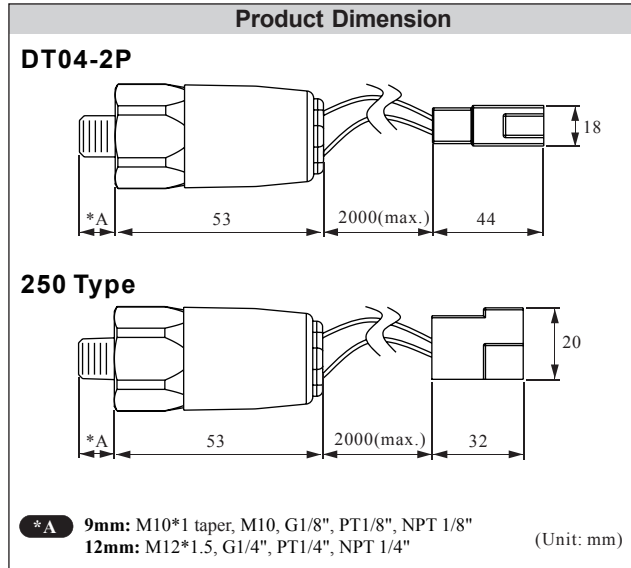


TYPE	SQ345 Series	SQ346 Series	SQ34U Series
Hex Length	24mm	24mm	24mm
Body Material	Zinc-Plated Steel	SUS316	Brass
Wiring	DT04-2P, 250 Type	DT04-2P, 250 Type	DT04-2P, 250 Type
Contact rating (Max.)	4A/ 50Vdc, 4A/ 250Vac	4A/ 50Vdc, 4A/ 250Vac	4A/ 50Vdc, 4A/ 250Vac
Response Frequency	2Hz	2Hz	2Hz
Max. Voltage Peak	1.5KV (IEC60947-2)	1.5KV (IEC60947-2)	1.5KV (IEC60947-2)
Electric Insulation	100MΩ(IEC60092-54 section3)	100MΩ(IEC60092-54 section3)	100MΩ(IEC60092-54 section3)
Membrane materials/ Operation temperature	NBR(Standard) -10~100°C VITON -10~100°C EPDM -10~100°C NBR(Low Temp.) -30~100°C VITON(Low Temp.) -30~100°C EPDM(Low Temp.) -30~100°C	NBR(Standard) -10~100°C VITON -10~100°C EPDM -10~100°C NBR(Low Temp.) -30~100°C VITON(Low Temp.) -30~100°C EPDM(Low Temp.) -30~100°C	NBR(Standard) -10~100°C VITON -10~100°C EPDM -10~100°C NBR(Low Temp.) -30~100°C VITON(Low Temp.) -30~100°C EPDM(Low Temp.) -30~100°C
Pressure Range	0.2~99bar	0.2~99bar	0.2~99bar
Piping Selection	M10*1 (taper) M10*1, M12*1.5 PT1/8", PT1/4" G1/8", G1/4" NPT 1/8", NPT 1/4"	M10*1 (taper) M10*1, M12*1.5 PT1/8", PT1/4" G1/8", G1/4" NPT 1/8", NPT 1/4"	M10*1 (taper) M10*1, M12*1.5 PT1/8", PT1/4" G1/8", G1/4" NPT 1/8", NPT 1/4"
Contact Model	NO, NC	NO, NC	NO, NC
Protection	IP67 (IEC 60529)	IP67 (IEC 60529)	IP67 (IEC 60529)
Mechanical Life	1.5X10 ⁶ cycles (in 50 bar)	1.5X10 ⁶ cycles (in 50 bar)	1.5X10 ⁶ cycles (in 50 bar)
Shock Resistance	ISO / IEC 17025, Half Sine Wave, Acceleration: 30G@14ms, ±X, ±Y, ±Z axis	ISO / IEC 17025, Half Sine Wave, Acceleration: 30G@14ms, ±X, ±Y, ±Z axis	ISO / IEC 17025, Half Sine Wave, Acceleration: 30G@14ms, ±X, ±Y, ±Z axis
Vibration Resistance	ISO / IEC 17025, Sine Wave, 5-200 Hz, Acceleration: 10G, Displacement: 16 mm, Sweeping Rate: 1 Oct/ min, Test Direction: X, Y, Z axis, Test Time: 1hr for each	ISO / IEC 17025, Sine Wave, 5-200 Hz, Acceleration: 10G, Displacement: 16 mm, Sweeping Rate: 1 Oct/ min, Test Direction: X, Y, Z axis, Test Time: 1hr for each	ISO / IEC 17025, Sine Wave, 5-200 Hz, Acceleration: 10G, Displacement: 16 mm, Sweeping Rate: 1 Oct/ min, Test Direction: X, Y, Z axis, Test Time: 1hr for each

Feature
<ul style="list-style-type: none"> ■ Robust In Any Severe Application ■ Customized Body Housing (steel, Sus316, Brass) ■ Selectable Contact (gold Contact Or Silver Contact) ■ Screw / Push-on Terminal Contact Selectable ■ High Quality And Cost Effective ■ Adjustable Pressure Range Setting

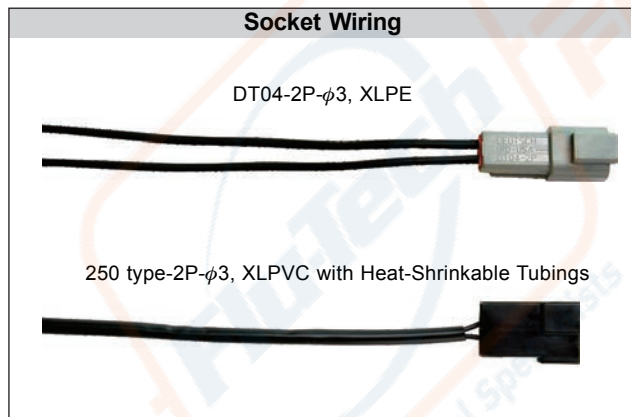
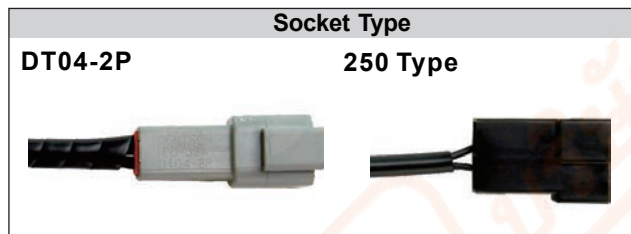
Application
<ul style="list-style-type: none"> ■ Pressure Detection For Automobile Braking System ■ Pressure Control For Piping System ■ Hydraulic Detection For Fire Fighting System ■ Hydraulic Industry ■ Lubrication System ■ Sprinkler System ■ Air Compressor ■ Medical Equipment ■ Tire Manufacturing

PRODUCT DIMENSION/ PRESSURE RANGE TOLERANCE



SQ34 Series Fixed Pressure

Pressure range	Tolerance	Connection
0.2~0.9 bar	± 0.05 Bar	M10X1 (taper)
		M10X1
		M12X1.5
1~9.9 bar	± 0.3 Bar	1/8"PT
		1/4"PT
		1/8"G
10~99 bar	± 3 %	1/4"G
		1/8"NPT
		1/4"NPT



ORDER INFORMATION

SQX1 ⑤ ⑥ ⑦ ⑧ - ⑨ ⑩ ⑪ ⑫ ⑬ ⑭ ⑮ ⑯ ⑰ ⑱ ⑲ ⑳ ㉑ ㉒ ㉓ ㉔ ㉕ ㉖

⑤ ⑥ **Model**
 00: Standard
 05: High-Pressure
 34: High-Accuracy

⑦ ⑧ **Certification**
 00: None
 3A: UL

⑨ **Hex length**
 A: 24mm
 B: 27mm

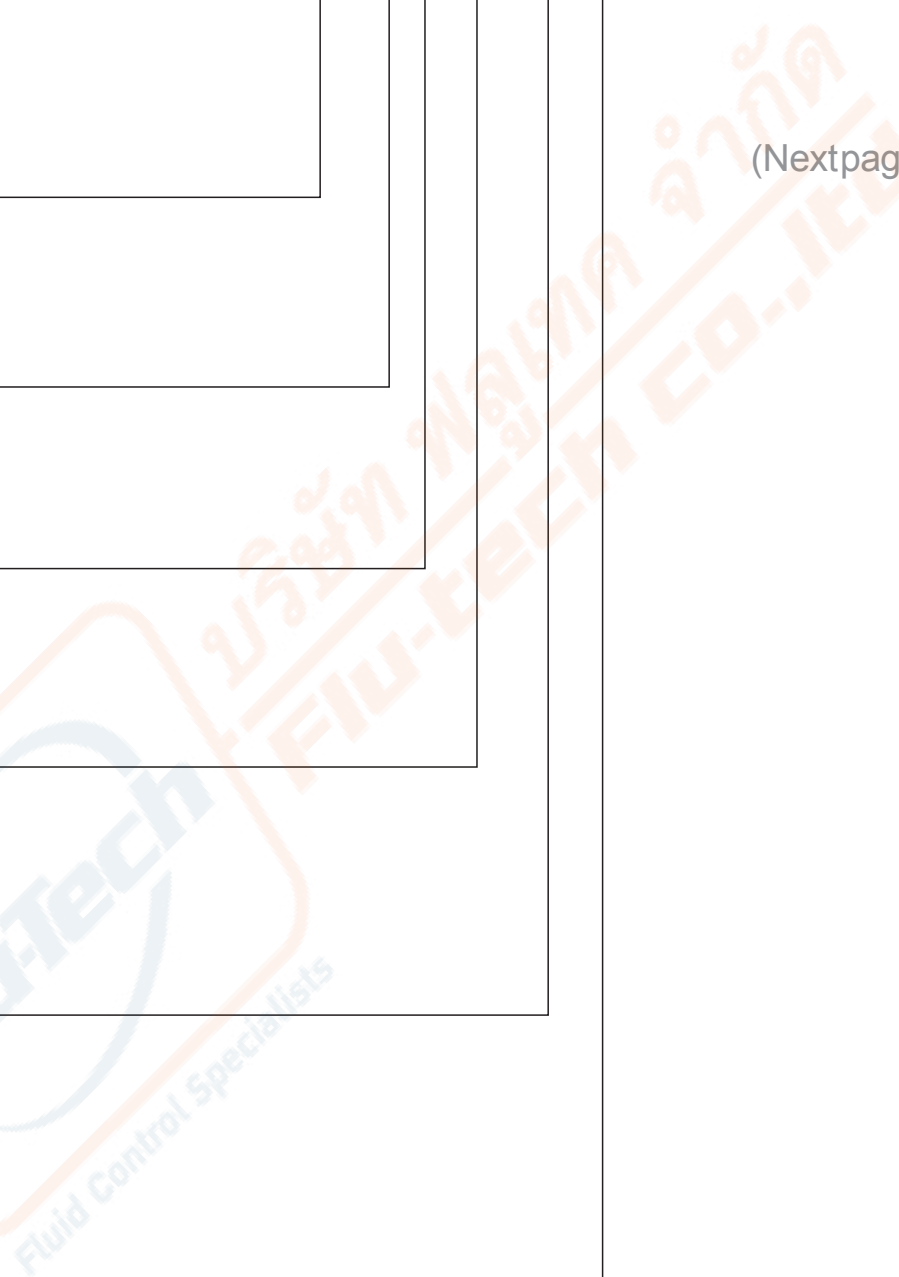
⑩ **Contact model**
 A: SPST-NO
 B: SPST-NC
 C: SPDT

⑪ ⑫ **Connection**
 A1: 1/8"
 A2: 1/4"
 I1: M10
 I3: M12
 A5: 1/2"

⑬ ⑭ **Thread type**
 01: PT male
 07: NPT male
 17: PF(G) male
 78: (P)1 male
 82: (P)1.5 male
 90: (P)1(Taper) male

⑮ **Pressure regulation**
 A: Field adjustable
 B: Fixed

(Nextpage)



(05)
(06)
(07)
(08)
(09)
(10)
(11)
(12)
(13)
(14)
(15)
(16)
(17)
(18)
(19)
(20)
(21)
(22)
(23)
(24)
(25)
(26)

SQX1 -

(16) (17) Adjustable pressure range _____

- 00: None
- 68: 0.2~0.9 Bar
- 69: 1~19 Bar
- 70: 20~49 Bar
- 71: 50~99 Bar
- 93: 100~300 Bar

(18) (19) (20) (21) Fixed pressure _____

Code	Range
0000	None
0002~0490	pressure: 0.2~49 Bar
0002~3000	pressure: 0.2~300 Bar

Please enter the pressure value, decimal pointx10
 For example : 0.2Bar is 0002,10Bar is 0100,101Bar is 1010

(22) (23) Body material _____

- MP: 1215(Zinc-plated steel)
- MB: SUS 316
- MG: Brass

(24) (25) Membrane material _____

- 07: NBR
- 28: VITON
- 04: EPDM
- 52: NBR (Low temperature)
- 53: VITON (Low temperature)
- 54: EPDM (Low temperature)
- 55: SQ (High pressure dedicated, slip column type)

(26) Wiring _____

- A : Push-on
- B : Spade terminal
- C : Screw
- D : DIN43650A
- E : DT04-2P- ϕ 3, XLPE
- M: 250 type-2P- ϕ 3, XLPVC with Heat-Shrinkable Tubings

