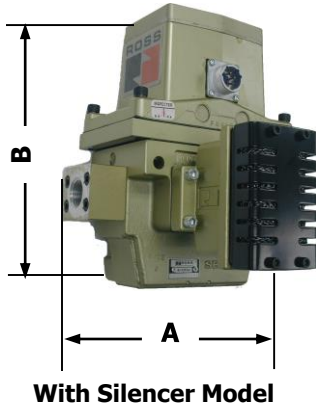




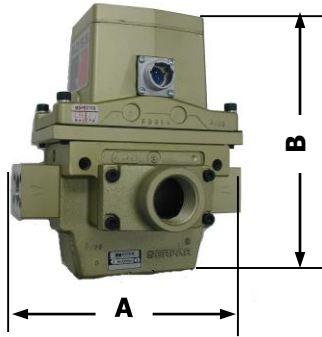
SERPAR® Crossflow Press Control Double Valves

SIZE 4

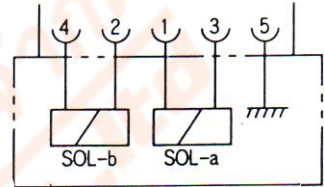
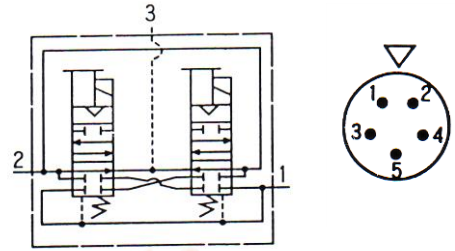


With Silencer Model

C = Thickness



Without Silencer Model



Wiring Diagram

STANDARD SPECIFICATIONS

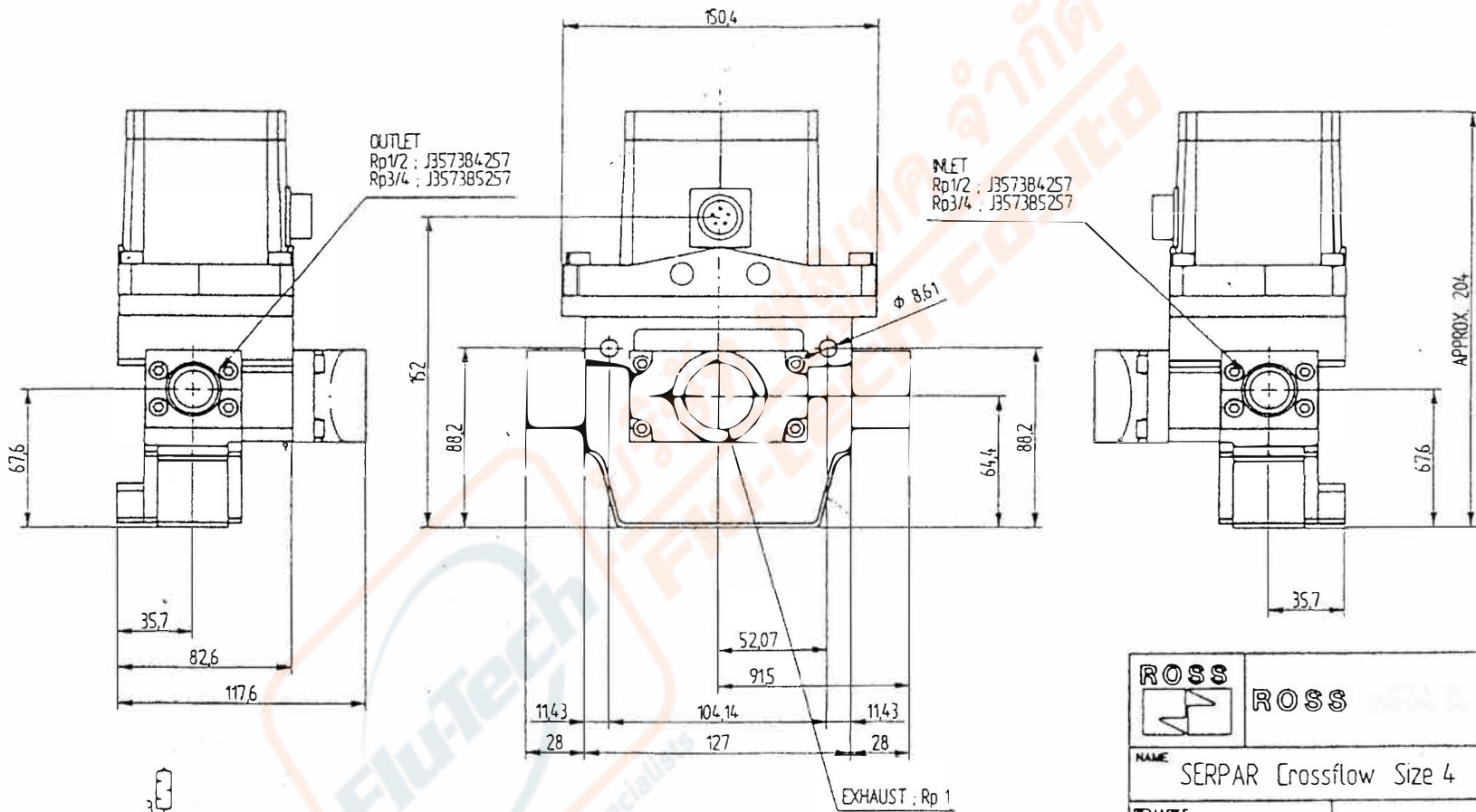
- Pilot Solenoid** : Two, rated for continuous duty.
- Standard voltages** : 100-110 volts 50 Hz, 100-120 volts, 24, 110 volts DC. Other voltages available.
- Power Consumption** : Each solenoid, 87VA inrush, 30VA holding on 50 or 60 Hz; 14 watts on DC
- Electrical Connections** : Multipin Connector.
- Ambient Temperature** : 4 to 50 C (40 to 120 F)
- Media Temperature** : 4 to 80 C (40 to 175 F)
- Flow Media** : Filtered air.
- Pressure Range** : 2 to 8.5 bar (30 to 125 psi)
- Ports** : NPT threads.

VALVE OPERATION

Both solenoids must be energized simultaneously to shift the valve; maintained signal required to keep valve shifted.

Valve Response Time (msec) = M + F * V
 average time required to fill volume V (cubic inches) to 90 percent of supply pressure or to exhaust it to 10 percent of supply pressure. M and F values are shown in chart below. See Valve Response Time on page 18. Ratings also on page 18.

VALVE MODEL NUMBER (WITH SILENCER)								
PORT SIZE	MODEL NUMBER (WITH SILENCER)	AVERAGE CV.		WEIGHT	DIMENSION			
		1 TO 2	2 TO 3		Kg	A	B	C
3/8"	J3573B3258	3.0	6.0	3.8	183	205	160	
1/2"	J3573B4258							
3/4"	J3573B5258	3.0	9.0	3.8	183	205	160	
1"	J3573A6709	3.0	9.0	3.8	218	205	160	
VALVE MODEL NUMBER (WITHOUT SILENCER)								
PORT SIZE	EXH. PORT	MODEL NUMBER (WITH SILENCER)	AVERAGE CV.		WEIGHT	DIMENSION		
			1 TO 2	2 TO 3		Kg	A	B
3/8"	1"	J3573B3257	3.0	6.0	3.5	183	205	117
1/2"	1"	J3573B4257						
3/4"	1"	J3573B5257	3.0	9.0	3.5	183	205	117
1"	1"	J3573A6711	3.0	9.0	3.5	218	205	117



OUTLET
Rp1/2 : J357384257
Rp3/4 : J357385257

INLET
Rp1/2 : J357384257
Rp3/4 : J357385257

EXHAUST : Rp 1

RESTRICTED - ROSS PROPRIETARY RIGHTS INVOLVED

This document is transmitted by Ross Controls and Ross Asia Pacific and accepted by you upon the understanding and agreement that all rights thereto as to the information contained therein are reserved by Ross. That the document will not be copied, duplicated, sold or disclosed to others by you without the express written permission of Ross, and the devices embodying said information will not be manufactured, used, sold or disclosed to others by you without such permission. This document is the property of Ross and shall be returned upon request.

ROSS		ROSS	
NAME SERPAR Crossflow Size 4			
REMARKS NO Monitor EXHAUST FLANGE		THIRD ANGLE MATERIAL ETC.	
SCALE 1/2	DWG H.O APR OTA	DATE 96-11-10 DATE 96-11-10	DRAWING NUMBER J357384257 J357385257