

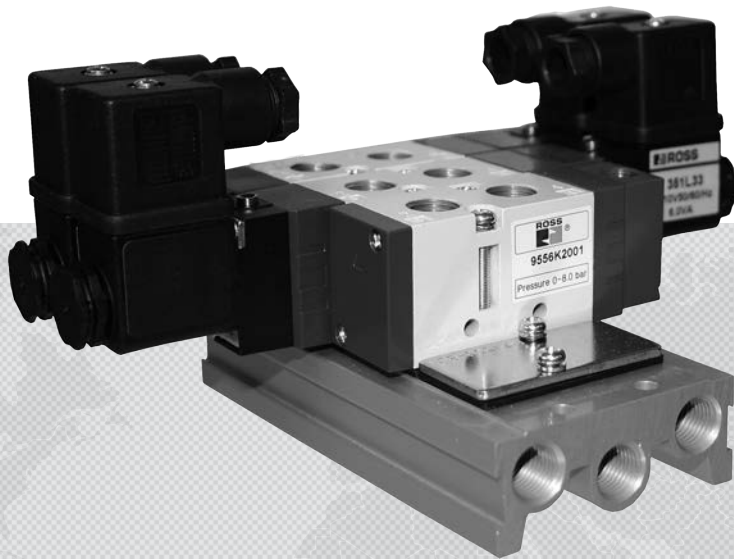


# PRODUCT INFORMATION

## DIRECTIONAL CONTROL VALVES

---

### 95 SERIES



**ROSS CONTROLS**

## IN-LINE DIRECTIONAL VALVES AND MANIFOLDS– KEY FEATURES

- 24 volts DC and 110 volts AC options for solenoid control
- Available with 1/8, 1/4, 3/8, and 1/2 port options
- Flexible mounting - in-line or manifold
- Resilient seal spool construction
- Compact size
- High flow capacity
- Lube or non-lube service
- Manual overrides
- Pressure ports located in valve body

D

VALVE TYPE	AVAILABLE PORT SIZES				MAX. FLOW Cv	MOUNTING		Page
	1/8	1/4	3/8	1/2		IN-LINE	MANIFOLD	
<b>SOLENOID PILOT CONTROLLED</b>								
3/2 NC/NO Spring return					2.6			D4.3
5/2 Spring Return					4.5			D4.4
5/2 Detented					4.5			D4.5
5/3 Spring Center					2.2			D4.6
<b>PRESSURE CONTROLLED</b>								
3/2 NC/NO Spring return					2.6			D4.7
5/2 Spring Return					4.5			D4.8
5/2 Detented					4.5			D4.9
5/3 Spring Center					3.4			D4.10
<b>MANIFOLD BLOCKS, OPTIONS, &amp; ACCESSORIES</b>								
Manifold Blocks (3/2 Valves)								D4.11
Manifold Blocks (5/2 & 5/3 Valves)								D4.12
Manifold Blanking Plates								D4.11 - D4.12
Pilot Coils & Connectors								D4.11 - D4.12
Silencers								D4.11 - D4.12

D4



บริษัท ฟลูเทค จำกัด  
FLU-TECH CO.,LTD

845/3-4 หมู่ 3 ถ.เทพารักษ์ ต.เทพารักษ์ อ.เมือง จ.สมุทรปราการ 10270

845/3-4 Thepharak RD., T.Thepharak, A.Muang, Samutprakarn 10270 THAILAND  
Tel. 0 2384 6060, Fax 0 2384 5701, Email : sales@flutech.co.th, www.flutech.co.th

# Single Solenoid Pilot Controlled Valves

95 Series

3-Way 2-Position Valves, Single Solenoid, Spring Return						
Port Size	Normally Closed		Normally Open		Avg. C <sub>v</sub>	Weight lb (kg)
	Valve Model Number#		Valve Model Number#			
1, 2	3	NPT Threads	G Threads	NPT Threads	G Threads	
1/8	1/8	9573K1001W	D9573K1001W	9574K1001W	D9573K1001W	0.9 0.38 (0.17)
1/4	1/4	9573K2001W	D9573K2001W	9574K2001W	D9573K2001W	1.3 0.70 (0.32)
3/8	3/8	9573K3001W	D9573K3001W	9574K3001W	D9573K3001W	2.6 1.15 (0.52)

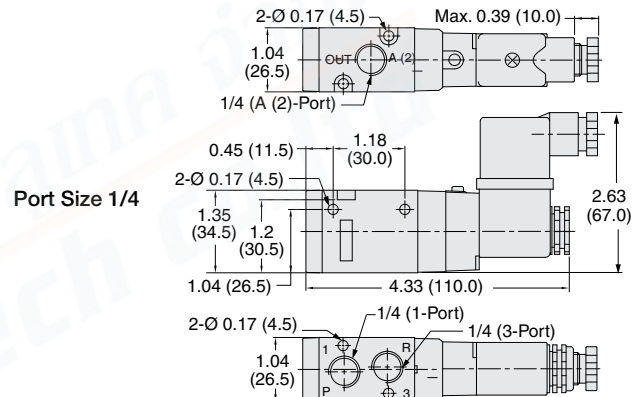
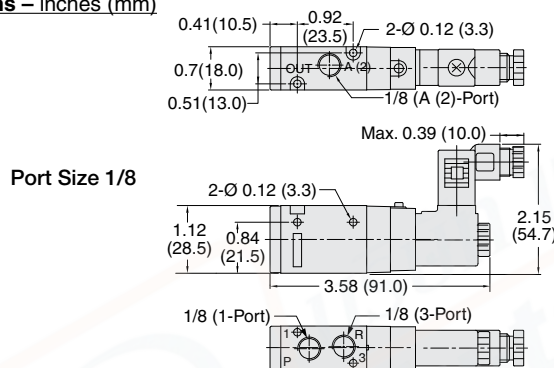
# Voltage: W=24 VDC; Z=110-120 VAC, 50/60 Hz, e.g., 9573K1001Z.

Normally Closed

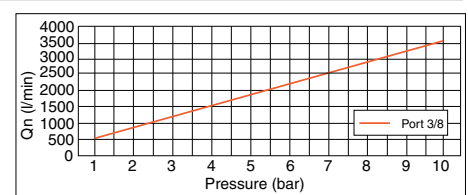
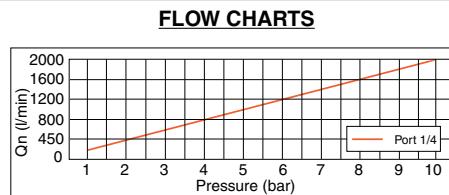
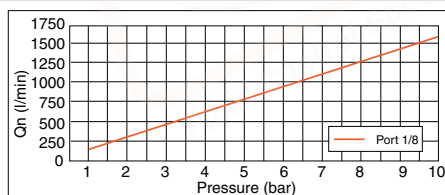
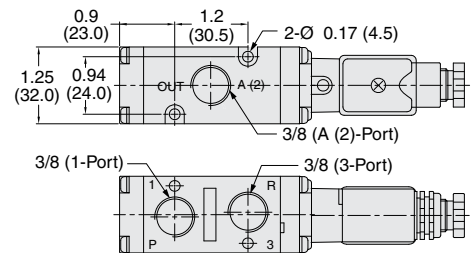
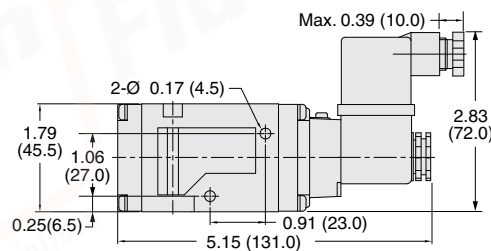
Normally Open



## Valve Dimensions – inches (mm)



## Port Size 3/8



## FLOW CHARTS

**Solenoid and Connector included.**  
**Manifolds and Accessories ordered separately, refer to page D4.11. For other options, consult ROSS.**

## STANDARD SPECIFICATIONS (for valves on this page):

Construction Design	Spool	Temperature	Ambient/Media: 41° to 140°F (5° to 60°C)
Mounting Type	In-line or manifold mounted	Flow Media	Filtered air
Solenoids	AC or DC power; Rated for continuous duty	Pilot Supply	Internal
Voltage	24 volts DC; 110 volts AC, 50/60 Hz	Operating Pressure	22.5 to 150 psig (1.5 to 10 bar)
Power Consumption (each solenoid)	2.5 watts on DC; 3.6 VA holding on 50/60 Hz	Construction Material	Valve Body: Bar Stock Aluminum Spool: Stainless Steel Seals: Buna-N
Enclosure Rating	IP 65, IEC 60529	Manual Override	Pushbutton, non-locking
Electrical Connection	Port Size 1/8: MICRO-MINI EN 175301-803 connector Port Size 1/4 & 3/8: EN 175301-803 Industrial Form B connector		



บริษัท ฟลูเทค จำกัด  
**FLU-TECH CO.,LTD**

845/3-4 หมู่ 3 ถ.เทพารักษ์ ต.เทพารักษ์ อ.เมือง จ.สมุทรปราการ 10270

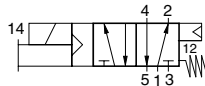
845/3-4 Thepharak RD., T.Thepharak, A.Muang, Samutprakarn 10270 THAILAND  
 Tel. 0 2384 6060, Fax 0 2384 5701, Email : sales@flutech.co.th, www.flutech.co.th

# Single Solenoid Pilot Controlled Valves

95 Series

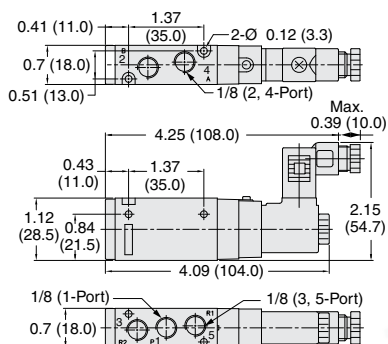
5-Way 2-Position Valves, Single Solenoid, Spring Return					
Port Size		Valve Model Number#		Avg. C <sub>v</sub>	Weight lb (kg)
1, 2, 4	3, 5	NPT Threads	G Threads		
1/8	1/8	9576K1001W	D9576K1001W	0.9	0.43 (0.20)
1/4	1/8	9576K2001W	D9576K2001W	1.3	0.80 (0.36)
3/8	3/8	9576K3001W	D9576K3001W	2.6	1.29 (0.59)
1/2	1/2	9576K4001W	D9576K4001W	4.5	1.66 (0.75)

# Voltage: W=24 VDC; Z=110-120 VAC, 50/60 Hz, e.g., 9576K1001Z.

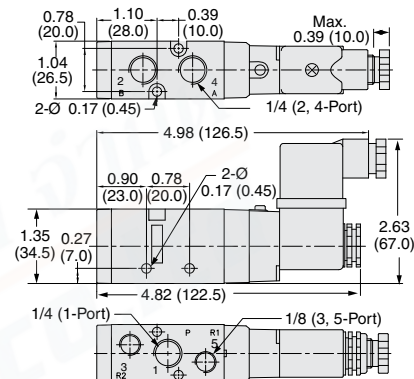


## Valve Dimensions – inches (mm)

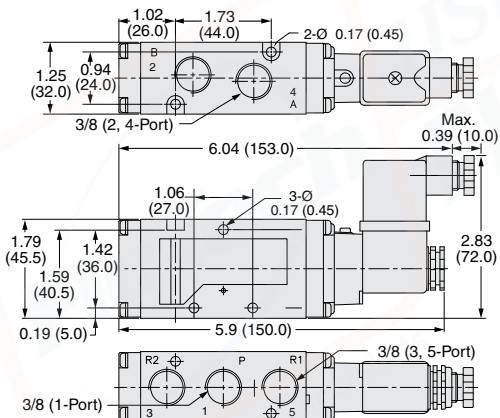
### Port Size 1/8



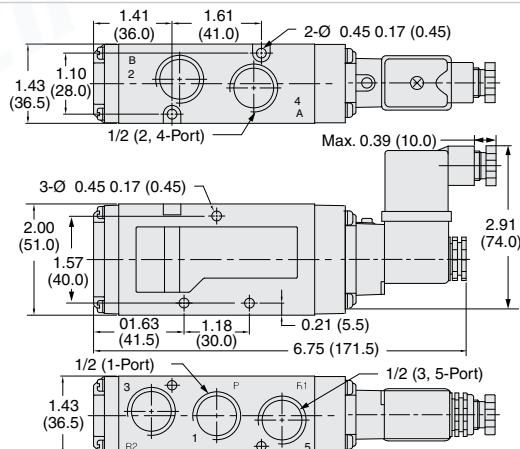
### Port Size 1/4



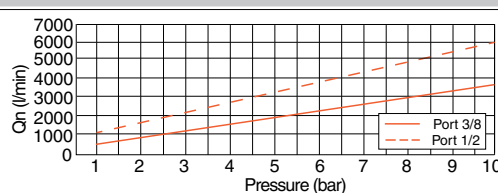
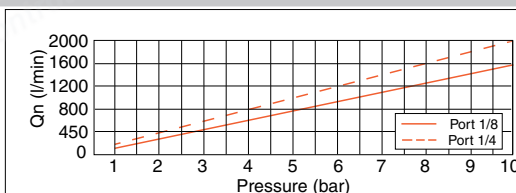
### Port Size 3/8



### Port Size 1/2



## FLOW CHARTS



**Solenoid and Connector included.**  
**Manifolds and Accessories ordered separately, refer to page D4.12. For other options, consult ROSS.**

**Valves available with installed prewired connectors, please consult ROSS.**

## STANDARD SPECIFICATIONS (for valves on this page):

Construction Design	Spool	Temperature	Ambient/Media: 41° to 140°F (5° to 60°C)
Mounting Type	In-line or manifold mounted	Flow Media	Filtered air
Solenoids	AC or DC power; Rated for continuous duty	Pilot Supply	Internal
Voltage	24 volts DC; 110 volts AC, 50/60 Hz	Operating Pressure	22.5 to 150 psig (1.5 to 10 bar)
Power Consumption (each solenoid)	2.5 watts on DC; 3.6 VA holding on 50/60 Hz	Construction Material	Valve Body: Bar Stock Aluminum Spool: Stainless Steel Seals: Buna-N
Enclosure Rating	IP 65, IEC 60529	Manual Override	Pushbutton, non-locking
Electrical Connection	Port Size 1/8: MICRO-MINI EN 175301-803 connector Port Size 1/4 & 3/8: EN 175301-803 Industrial Form B connector		



บริษัท ฟลูเทค จำกัด  
**FLU-TECH CO.,LTD**

845/3-4 หมู่ 3 ถ.เทพารักษ์ ต.เทพารักษ์ อ.เมือง จ.สมุทรปราการ 10270

845/3-4 Thepharak RD., T.Thepharak, A.Muang, Samutprakarn 10270 THAILAND  
 Tel. 0 2384 6060, Fax 0 2384 5701, Email : sales@flutech.co.th, www.flutech.co.th

# Double Solenoid Pilot Controlled Valves

95 Series

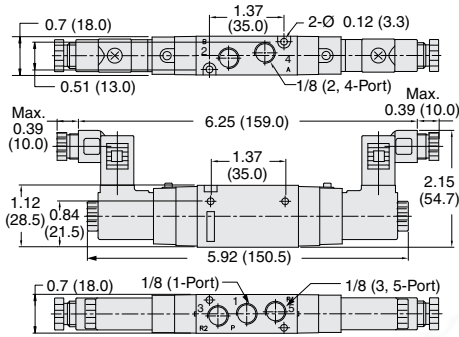
5-Way 2-Position Valves, Double Solenoid, Detented					
Port Size		Valve Model Number#		Avg. C <sub>v</sub>	Weight lb (kg)
1, 2, 4	3, 5	NPT Threads	G Threads		
1/8	1/8	9576K1002W	D9576K1002W	0.9	0.62 (0.28)
1/4	1/8	9576K2002W	D9576K2002W	1.3	1.04 (0.47)
3/8	3/8	9576K3002W	D9576K3002W	2.6	1.58 (0.72)
1/2	1/2	9576K4002W	D9576K4002W	4.5	2.04 (0.93)

# Voltage: W=24 VDC; Z=110-120 VAC, 50/60 Hz, e.g., 9576K1002W.

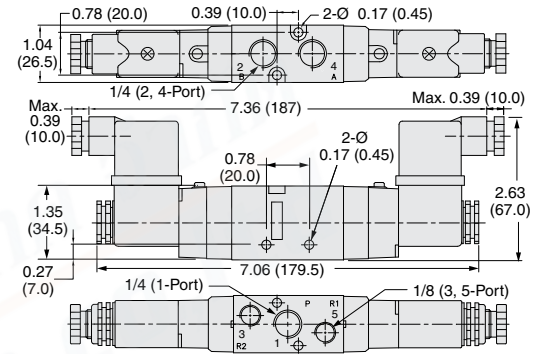


## Valve Dimensions – inches (mm)

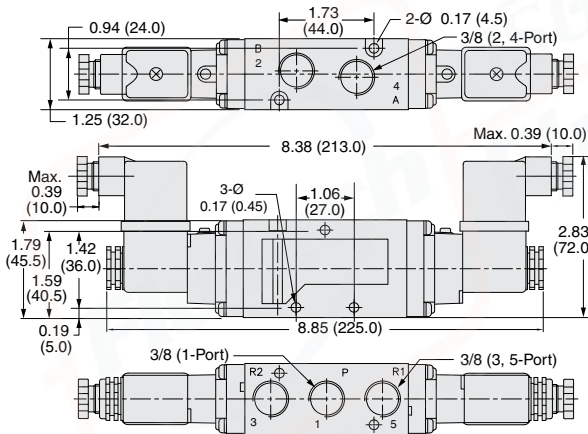
### Port Size 1/8



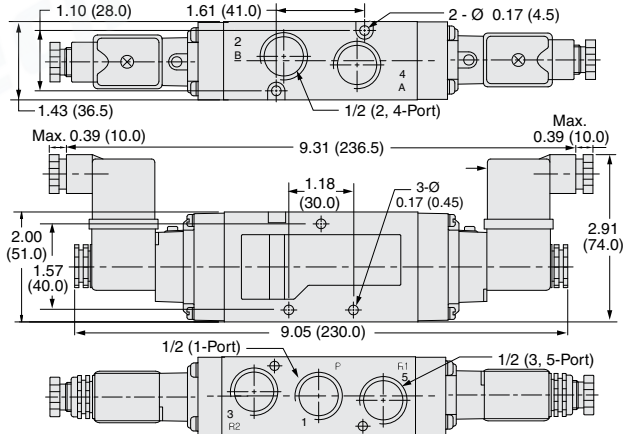
### Port Size 1/4



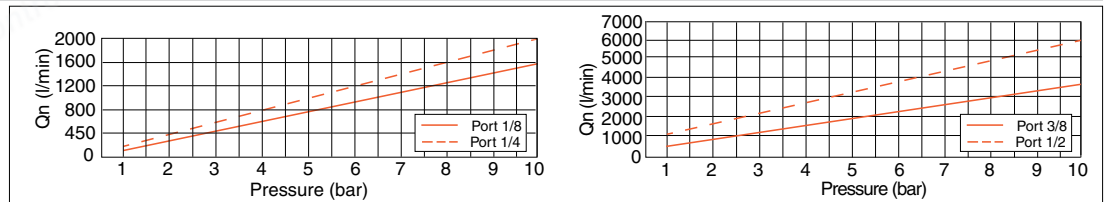
### Port Size 3/8



### Port Size 1/2



## FLOW CHARTS



Solenoid and Connector included.  
Manifolds and Accessories ordered separately, refer to page D4.12. For other options, consult ROSS.

Valves available with installed prewired connectors, please consult ROSS.

## STANDARD SPECIFICATIONS (for valves on this page):

Construction Design	Spool	Temperature	Ambient/Media: 41° to 140°F (5° to 60°C)
Mounting Type	In-line or manifold mounted	Flow Media	Filtered air
Solenoids	AC or DC power; Rated for continuous duty	Pilot Supply	Internal
Voltage	24 volts DC; 110 volts AC, 50/60 Hz	Operating Pressure	22.5 to 150 psig (1.5 to 10 bar)
Power Consumption (each solenoid)	2.5 watts on DC; 3.6 VA holding on 50/60 Hz	Construction Material	Valve Body: Bar Stock Aluminum Spool: Stainless Steel Seals: Buna-N
Enclosure Rating	IP 65, IEC 60529	Manual Override	Pushbutton, non-locking
Electrical Connection	Port Size 1/8: MICRO-MINI EN 175301-803 connector Port Size 1/4 & 3/8: EN 175301-803 Industrial Form B connector		



บริษัท ฟลูเทค จำกัด  
FLU-TECH CO.,LTD

845/3-4 หมู่ 3 ถ.เทพารักษ์ ต.เทพารักษ์ อ.เมือง จ.สมุทรปราการ 10270

845/3-4 Thepharak RD., T.Thepharak, A.Muang, Samutprakarn 10270 THAILAND

Tel. 0 2384 6060, Fax 0 2384 5701, Email : sales@flutech.co.th, www.flutech.co.th

# Double Solenoid Pilot Controlled Valves

95 Series



5-Way 3-Position Valves, Double Solenoid, Spring Center										
Port Size			Power Center		Closed Center		Open Center		Avg. C <sub>v</sub>	Weight lb (kg)
			Valve Model Number#		Valve Model Number#		Valve Model Number#			
1, 2, 4	3, 5	NPT Threads	G Threads	NPT Threads	G Threads	NPT Threads	G Threads			
1/8	1/8	9577K1019W	D9577K1019W	9577K1010W	D9577K1010W	9577K1007W	D9577K1007W	0.7	0.70 (0.32)	
1/4	1/8	9577K2019W	D9577K2019W	9577K2010W	D9577K2010W	9577K2007W	D9577K2007W	1.1	1.26 (0.57)	
3/8	3/8	9577K3019W	D9577K3019W	9577K3010W	D9577K3010W	9577K3007W	D9577K3007W	2.2	1.71 (0.78)	
1/2	1/2	9577K4019W	D9577K4019W	9577K4010W	D9577K4010W	9577K4007W	D9577K4007W	4.5	2.41 (1.09)	

# Voltage: W=24 VDC; Z=110-120 VAC, 50/60 Hz, e.g., 9577K1019Z.

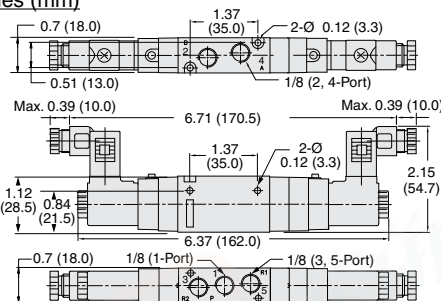
**Power Center**

**Closed Center**

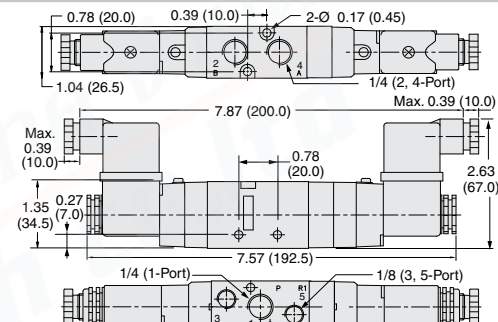
**Open Center**

## Valve Dimensions – inches (mm)

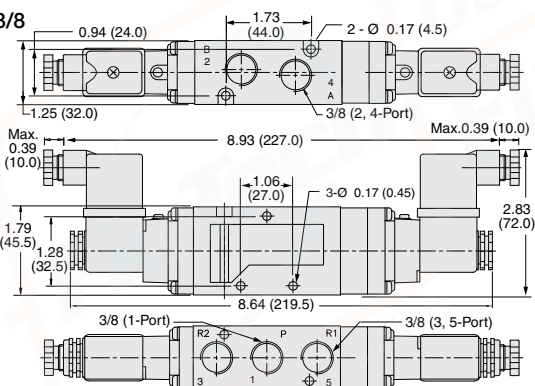
Port Size 1/8



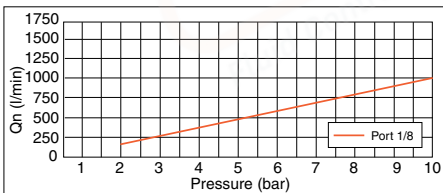
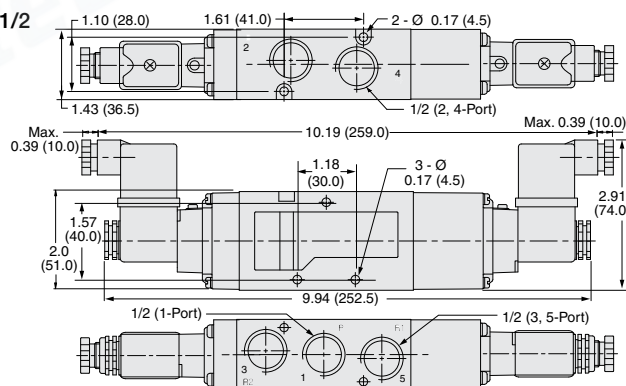
Port Size 1/4



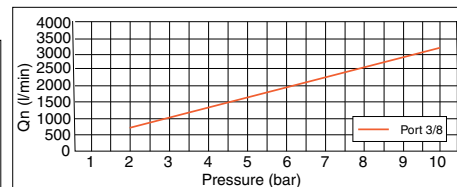
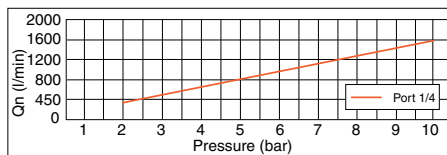
Port Size 3/8



Port Size 1/2



### FLOW CHARTS



**Solenoid and Connector included.**  
**Manifolds and Accessories ordered separately, refer to page D4.12. For other options, consult ROSS.**

**Valves available with installed prewired connectors, please consult ROSS.**

### STANDARD SPECIFICATIONS (for valves on this page):

Construction Design	Spool	Temperature	Ambient/Media: 41° to 140°F (5° to 60°C)
Mounting Type	In-line or manifold mounted	Flow Media	Filtered air
Solenoids	AC or DC power; Rated for continuous duty	Pilot Supply	Internal
Voltage	24 volts DC; 110 volts AC, 50/60 Hz	Operating Pressure	22.5 to 150 psig (1.5 to 10 bar)
Power Consumption (each solenoid)	2.5 watts on DC; 3.6 VA holding on 50/60 Hz	Construction Material	Valve Body: Bar Stock Aluminum Spool: Stainless Steel
Enclosure Rating	IP 65, IEC 60529	Seals	Buna-N
Electrical Connection	Port Size 1/8: MICRO-MINI EN 175301-803 connector Port Size 1/4 & 3/8: EN 175301-803 Industrial Form B connector	Manual Override	Pushbutton, non-locking



**บริษัท ฟลูเทค จำกัด**  
**FLU-TECH CO.,LTD**

845/3-4 หมู่ 3 ถ.เทพารักษ์ ต.เทพารักษ์ อ.เมือง จ.สมุทรปราการ 10270

845/3-4 Thepharak RD., T.Thepharak, A.Muang, Samutprakarn 10270 THAILAND

Tel. 0 2384 6060, Fax 0 2384 5701, Email : sales@flutech.co.th, www.flutech.co.th

3-Way 2-Position Valves, Single Pilot, Spring Return								
Port Size		Signal Port Thread	Normally Closed		Normally Open		Avg. C <sub>v</sub>	Weight lb (kg)
			Valve Model Number		Valve Model Number			
1, 2	3		NPT Threads	G Threads	NPT Threads	G Threads		
1/8	1/8	10-32 UNF	9553K1000	D9553K1000	9554K1000	D9553K1000	0.9	0.26 (0.12)
1/4	1/4	1/8	9553K2000	D9553K2000	9554K2000	D9553K2000	1.3	0.51 (0.23)
3/8	3/8	1/8	9553K3000	D9553K3000	9554K3000	D9553K3000	2.6	0.86 (0.39)

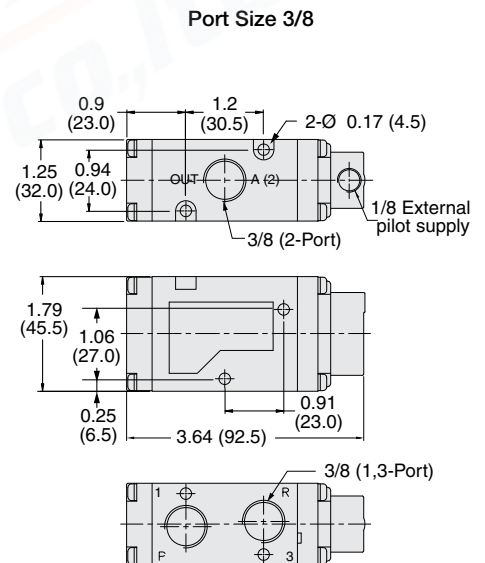
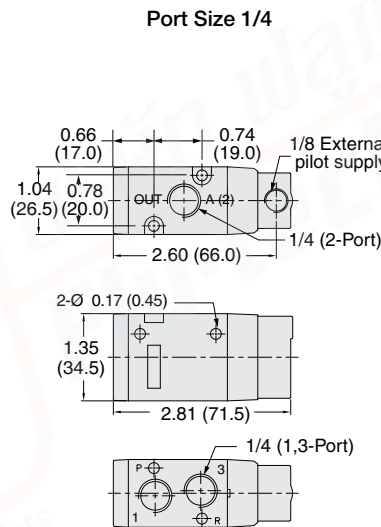
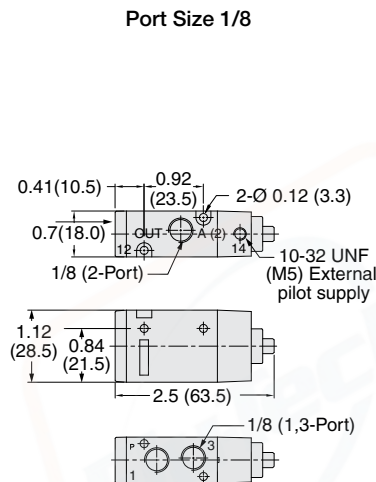
  

Normally Closed

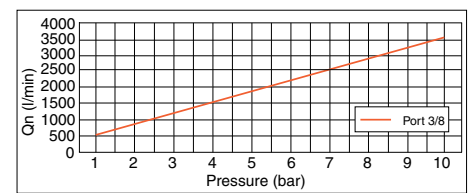
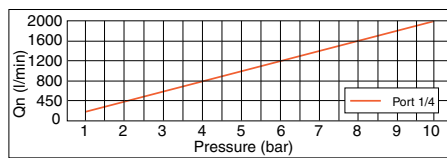
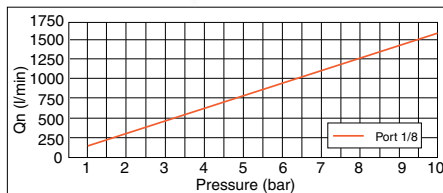
Normally Open



### Valve Dimensions – inches (mm)



### FLOW CHARTS



Manifolds and Accessories ordered separately, refer to page D4.11. For other options, consult ROSS.

### STANDARD SPECIFICATIONS (for valves on this page):

Construction Design	Spool	Operating Pressure	22.5 to 150 psig (1.5 to 10 bar)
Mounting Type	In-line or manifold mounted		<i>Pilot supply pressure must be equal to or greater than inlet pressure.</i>
Temperature	Ambient/Media: 41° to 140°F (5° to 60°C)	Construction Material	Valve Body: Bar Stock Aluminum Spool: Stainless Steel Seals: Buna-N
Flow Media	Filtered air	Manual Override	Pushbutton, non-locking
Pilot Supply	External		



**บริษัท ฟลูเทค จำกัด**  
**FLU-TECH CO.,LTD**

845/3-4 หมู่ 3 ถ.เทพารักษ์ ต.เทพารักษ์ อ.เมือง จ.สมุทรปราการ 10270

845/3-4 Thepharak RD., T.Thepharak, A.Muang, Samutprakarn 10270 THAILAND

Tel. 0 2384 6060, Fax 0 2384 5701, Email : sales@flutech.co.th, www.flutech.co.th

# Single Pilot Pressure Controlled Valves

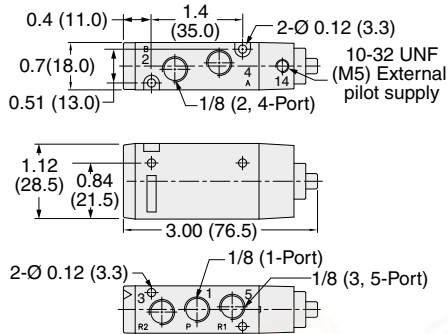
95 Series

5-Way 2-Position Valves, Single Pilot, Spring Return						
Port Size		Signal Port Thread	Valve Model Number		Avg. $C_v$	Weight lb (kg)
1, 2, 4	3, 5		NPT Threads	G Threads		
1/8	1/8	1/8	9556K1001	D9556K1001	0.9	0.26 (0.12)
1/4	1/8	1/8	9556K2001	D9556K2001	1.3	0.48 (0.22)
3/8	3/8	1/8	9556K3001	D9556K3001	2.6	1.02 (0.46)
1/2	1/2	1/8	9556K4001	D9556K4001	4.5	1.39 (0.63)

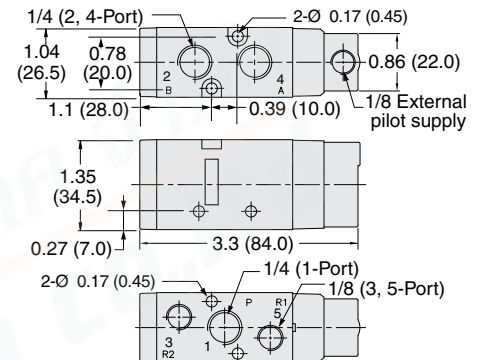


## Valve Dimensions – inches (mm)

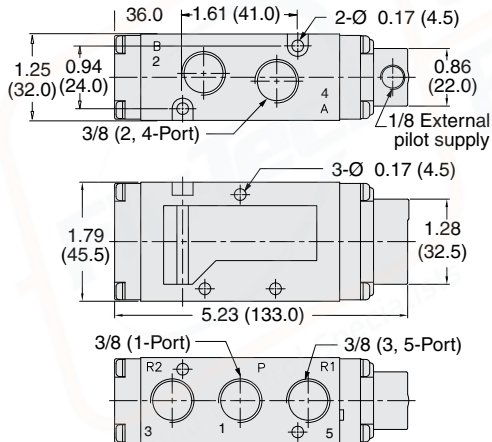
### Port Size 1/8



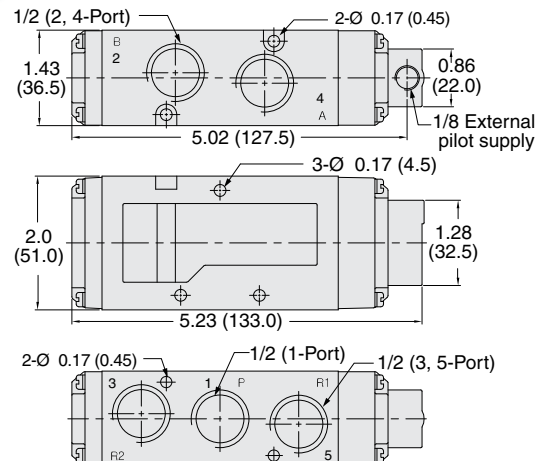
### Port Size 1/4



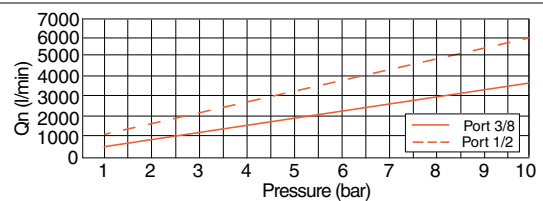
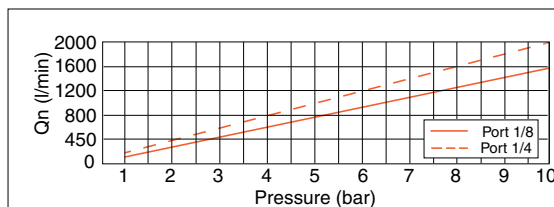
### Port Size 3/8



### Port Size 1/2



## FLOW CHARTS



Manifolds and Accessories ordered separately, refer to page D4.12. For other options, consult ROSS.

## STANDARD SPECIFICATIONS (for valves on this page):

Construction Design	Spool	Operating Pressure	22.5 to 150 psig (1.5 to 10 bar) Pilot supply pressure must be equal to or greater than inlet pressure.
Mounting Type	In-line or manifold mounted	Construction Material	Valve Body: Bar Stock Aluminum Spool: Stainless Steel Seals: Buna-N
Temperature	Ambient/Media: 41° to 140°F (5° to 60°C)	Manual Override	Pushbutton, non-locking
Flow Media	Filtered air		
Pilot Supply	External		



บริษัท ฟลูเทค จำกัด  
FLU-TECH CO.,LTD

845/3-4 หมู่ 3 ถ.เทพารักษ์ ต.เทพารักษ์ อ.เมือง จ.สมุทรปราการ 10270

845/3-4 Thepharak RD., T.Thepharak, A.Muang, Samutprakarn 10270 THAILAND

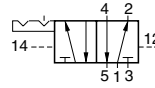
Tel. 0 2384 6060, Fax 0 2384 5701, Email : sales@flutech.co.th, www.flutech.co.th



# Double Pressure Controlled Valves

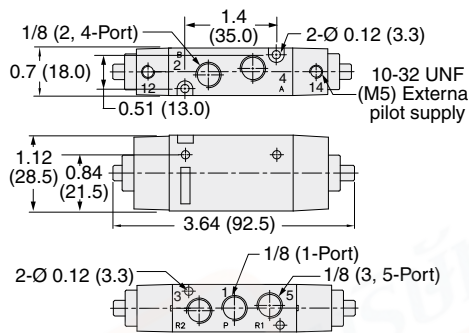
95 Series

5-Way 2-Position Valves, Double Pilot, Detented						
Port Size		Signal Port Thread	Valve Model Number		Avg. C <sub>v</sub>	Weight lb (kg)
1, 2, 4	3, 5		NPT Threads	G Threads		
1/8	1/8	1/8	9556K1002	D9556K1002	0.9	0.32 (0.15)
1/4	1/8	1/8	9556K2002	D9556K2002	1.3	0.59 (0.27)
3/8	3/8	1/8	9556K3002	D9556K3002	2.6	1.07 (0.49)
1/2	1/2	1/8	9556K4002	D9556K4002	4.5	1.55 (0.70)

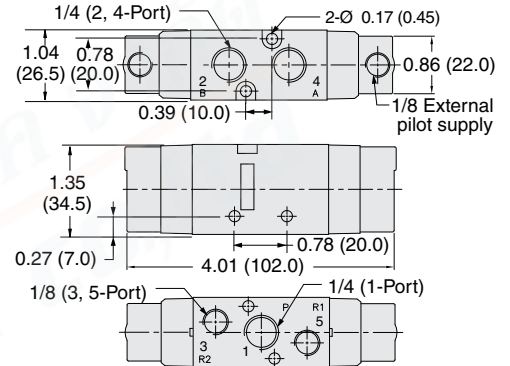


## Valve Dimensions – inches (mm)

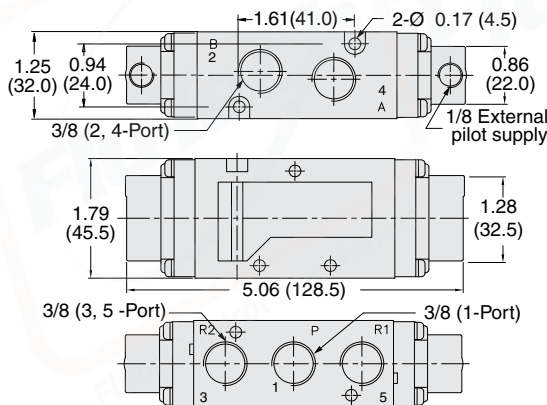
### Port Size 1/8



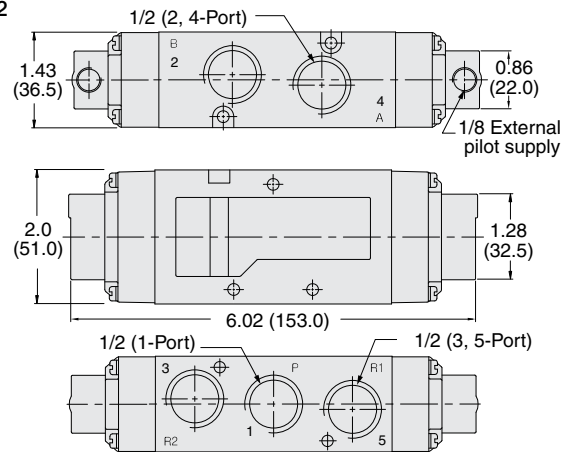
### Port Size 1/4



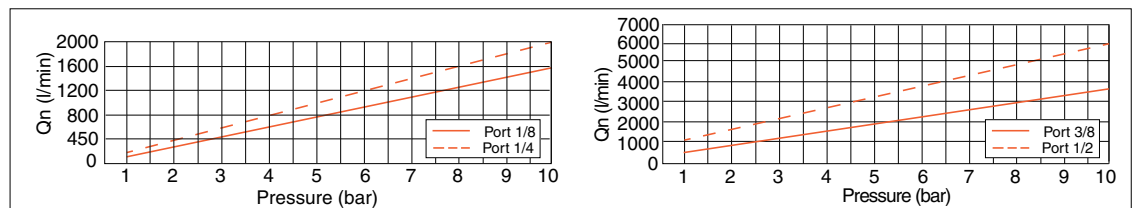
### Port Size 3/8



### Port Size 1/2



## FLOW CHARTS



Manifolds and Accessories ordered separately, refer to page B4.12. For other options, consult ROSS.

## STANDARD SPECIFICATIONS (for valves on this page):

Construction Design	Spool	Operating Pressure	22.5 to 150 psig (1.5 to 10 bar) <i>Pilot supply pressure must be equal to or greater than inlet pressure.</i>
Mounting Type	In-line or manifold mounted	Construction Material	Valve Body: Bar Stock Aluminum Spool: Stainless Steel Seals: Buna-N
Temperature	Ambient/Media: 41° to 140°F (5° to 60°C)	Manual Override	Pushbutton, non-locking
Flow Media	Filtered air		
Pilot Supply	External		



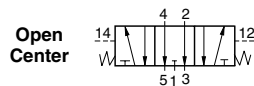
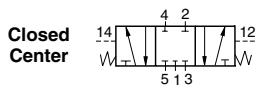
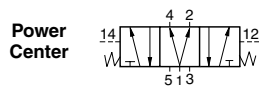
บริษัท ฟลูเทค จำกัด  
FLU-TECH CO.,LTD

845/3-4 หมู่ 3 ถ.เทพารักษ์ ต.เทพารักษ์ อ.เมือง จ.สมุทรปราการ 10270

845/3-4 Thepharak RD., T.Thepharak, A.Muang, Samutprakarn 10270 THAILAND  
Tel. 0 2384 6060, Fax 0 2384 5701, Email : sales@flutech.co.th, www.flutech.co.th

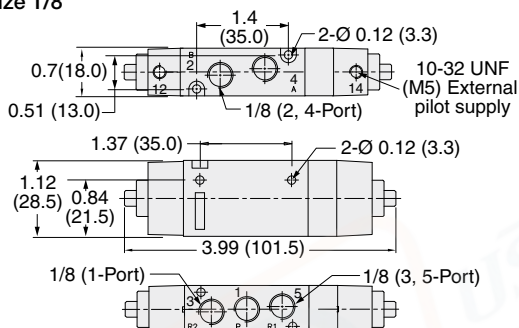


5-Way 3-Position Valves, Double Pilot, Spring Center										
Port Size	Signal Port Thread	Power Center		Closed Center		Open Center		Avg. C <sub>v</sub>	Weight lb (kg)	
		Valve Model Number		Valve Model Number		Valve Model Number				
		NPT Threads	G Threads	NPT Threads	G Threads	NPT Threads	G Threads			
1/8	1/8	10-32 UNF	9557K1019	D9557K1019	9557K1010	D9557K1010	9557K1007	D9557K1007	0.7	0.38 (0.17)
1/4	1/8	1/8	9557K2019	D9557K2019	9577K2010	D9577K2010	9557K2007	D9557K2007	1.1	0.51 (0.23)
3/8	3/8	1/8	9557K3019	D9557K3019	9557K3010	D9557K3010	9557K3007	D9557K3007	2.2	1.39 (0.63)
1/2	1/2	1/8	9557K4019	D9557K4019	9557K4010	D9557K4010	9557K4007	D9557K4007	3.4	1.98 (0.90)

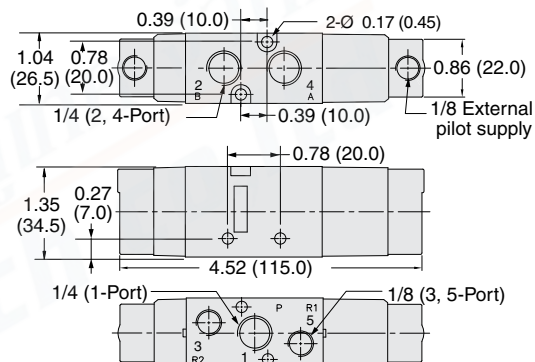


### Valve Dimensions – inches (mm)

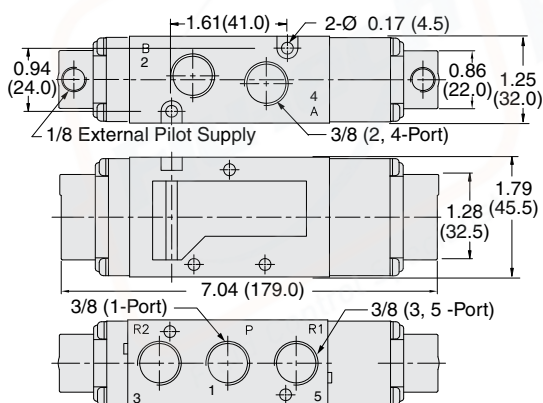
#### Port Size 1/8



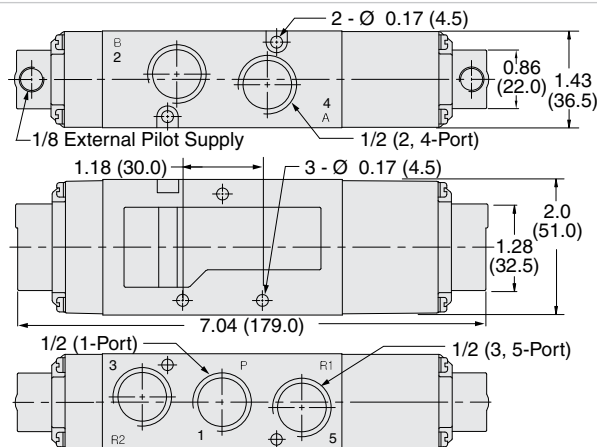
#### Port Size 1/4



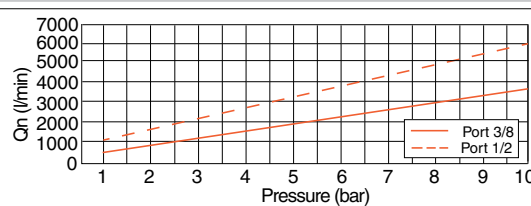
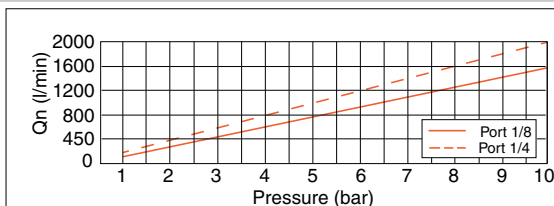
#### Port Size 3/8



#### Port Size 1/2



### FLOW CHARTS



Manifolds and Accessories ordered separately, refer to page D4.12. For other options, consult ROSS.

### STANDARD SPECIFICATIONS (for valves on this page):

Construction Design	Spool	Operating Pressure	30 to 150 psig (2 to 10 bar) <i>Pilot supply pressure must be equal to or greater than inlet pressure.</i>
Mounting Type	In-line or manifold mounted	Construction Material	Valve Body: Bar Stock Aluminum Spool: Stainless Steel Seals: Buna-N
Temperature	Ambient/Media: 41° to 140°F (5° to 60°C)	Manual Override	Pushbutton, non-locking
Flow Media	Filtered air		
Pilot Supply	External		



บริษัท ฟลูเทค จำกัด  
FLU-TECH CO.,LTD

845/3-4 หมู่ 3 ถ.เทพารักษ์ ต.เทพารักษ์ อ.เมือง จ.สมุทรปราการ 10270

845/3-4 Thepharak RD., T.Thepharak, A.Muang, Samutprakarn 10270 THAILAND  
Tel. 0 2384 6060, Fax 0 2384 5701, Email : sales@flutech.co.th, www.flutech.co.th

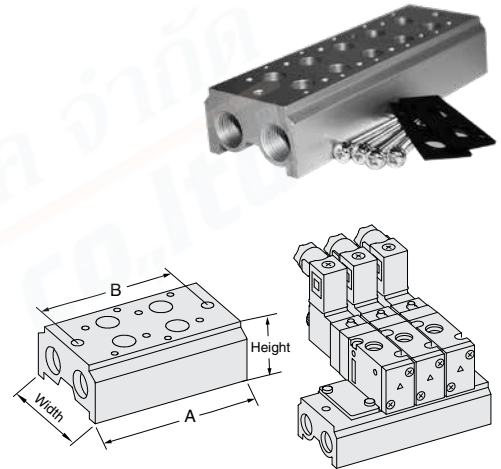
# Slim-Line Manifold Base for 3/2- Spring Return or Detented Valves

for 95 Series

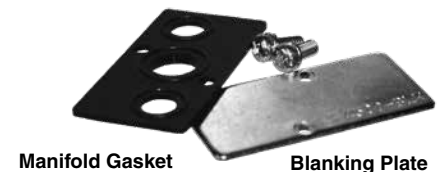
## Manifold Bases for 3/2 Valves

Valve Port Size	Base Port Size	2 Valves Unit		4 Valves Unit		6 Valves Unit		8 Valves Unit		10 Valves Unit	
		Model Number		Model Number		Model Number		Model Number		Model Number	
1, 2, 3	1, 3	NPT Threads	G Threads	NPT Threads	G Threads	NPT Threads	G Threads	NPT Threads	G Threads	NPT Threads	G Threads
1/8	1/4	1472H91	D1472H91	1474H91	D1474H91	1476H91	D1476H91	1478H91	D1478H91	1480H91	D1480H91
1/4	1/4	1492H91	D1492H91	1494H91	D1494H91	1496H91	D1496H91	1498H91	D1498H91	1500H91	D1500H91

Valve Port Size	Base Port Size	Base Dimensions	Numbers of Valves Unit				
			2	4	6	8	10
1, 2, 3	1, 3		Dimensions – inches (mm)				
1/8	1/4	Height	0.98 (25)	0.98 (25)	0.98 (25)	0.98 (25)	0.98 (25)
		Length (A)	2.32 (59)	3.82 (97)	5.31 (135)	6.81 (173)	8.31 (211)
		Length (B)	1.85 (47)	3.35 (85)	4.84 (123)	6.34 (161)	7.83 (199)
		Width	1.65 (42)	1.65 (42)	1.65 (42)	1.65 (42)	1.65 (42)
1/4	1/4	Height	1.06 (27)	1.06 (27)	1.06 (27)	1.06 (27)	1.06 (27)
		Length (A)	3.03 (77)	5.16 (131)	7.28 (185)	9.41 (239)	11.53 (293)
		Length (B)	2.60 (66)	4.72 (120)	6.85 (174)	8.98 (228)	11.10 (282)
		Width	1.97 (50)	1.97 (50)	1.97 (50)	1.97 (50)	1.97 (50)



MANIFOLD BLANKING KITS	Valve Port Size	Kit Number	Description
	1/8	1813H77	Manifold blanking kits include blanking plate, manifold gasket and mounting bolts.
	1/4	1814H77	



D

D4

## ACCESSORIES & OPTIONS

Electrical Connectors	Connector Form	Valve Port Size	Model Number*	
			24 Volts DC	110 Volts AC
	EN 175301-803 MICRO-MINI	1/8	1766L77	1780L77
EN 175301-803 Industrial Form B connector	1/4, 3/8	1767L77	1781L77	

\*3-Pin Electrical Connectors with LED & Surge Suppressor



## Silencers

Port Size	Thread Type	Model Number		Avg. C <sub>v</sub>	Dimensions inches (mm)		Weight lb (kg)
		NPT Threads	R/Rp Threads		Width	Length	
1/8	Male	5500A1003	D5500A1003	1.2	0.9 (21)	2.2 (55)	0.1 (0.1)
1/4	Male	5500A2003	D5500A2003	2.1	0.9 (21)	2.2 (55)	0.1 (0.1)
3/8	Male	5500A3013	D5500A3013	2.7	0.9 (21)	2.2 (55)	0.1 (0.1)

Pressure Range: 0 to 290 psig (0 to 20 bar) maximum. Flow Media: Filtered air.



บริษัท ฟลูเทค จำกัด  
FLU-TECH CO.,LTD

845/3-4 หมู่ 3 ถ.เทพารักษ์ ต.เทพารักษ์ อ.เมือง จ.สมุทรปราการ 10270

845/3-4 Thepharak RD., T.Thepharak, A.Muang, Samutprakarn 10270 THAILAND  
Tel. 0 2384 6060, Fax 0 2384 5701, Email : sales@flutech.co.th, www.flutech.co.th

# Slim-Line Manifold Base

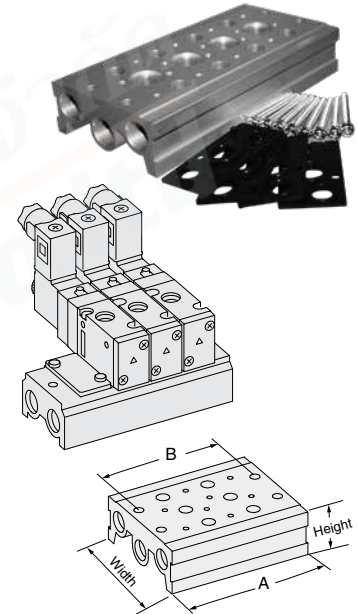
for 5/2 & 5/3- Spring Return or Detented Valves

for 95 Series

## Manifold Bases for 5/2 & 5/3 Valves

Valve Port Size		Base Port Size	2 Valves Unit		4 Valves Unit		6 Valves Unit		8 Valves Unit		10 Valves Unit	
1, 2, 4	3, 5	1, 3, 5	Model Number		Model Number		Model Number		Model Number		Model Number	
1, 2, 4	3, 5	1, 3, 5	NPT Threads	G Threads	NPT Threads	G Threads	NPT Threads	G Threads	NPT Threads	G Threads	NPT Threads	G Threads
1/8	1/8	1/4	1392H91	D1392H91	1394H91	D1394H91	1396H91	D1396H91	1398H91	D1398H91	1390H91	D1390H91
1/4	1/8	1/4	1412H91	D1412H91	1414H91	D1414H91	1416H91	D1416H91	1418H91	D1418H91	1420H91	D1420H91
3/8	3/8	3/8	1432H91	D1432H91	1434H91	D1434H91	1436H91	D1436H91	1438H91	D1438H91	1440H91	D1440H91
1/2	1/2	1/2	1652H91	D1652H91	1654H91	D1654H91	1656H91	D1656H91	1658H91	D1658H91	1650H91	D1650H91

Valve Port Size		Base Port Size	Base Dimensions	Numbers of Valves Unit				
1, 2, 4	3, 5	1, 3, 5		2	4	6	8	10
Dimensions – inches (mm)								
1/8	1/8	1/4	Height	1.02 (26)	1.02 (26)	1.02 (26)	1.02 (26)	1.02 (26)
			Length (A)	2.32 (59)	3.81 (97)	5.31 (135)	6.81 (173)	8.31 (211)
			Length (B)	1.85 (47)	3.35 (85)	4.84 (123)	6.34 (161)	7.83 (199)
			Width	4.33 (110)	4.33 (110)	4.33 (110)	4.33 (110)	4.33 (110)
1/4	1/8	1/4	Height	1.06 (27)	1.06 (27)	1.06 (27)	1.06 (27)	1.06 (27)
			Length (A)	3.29 (83.5)	5.45 (138.5)	7.62 (193.5)	9.78 (248.5)	11.95 (303.5)
			Length (B)	2.81 (71.5)	4.98 (126.5)	7.15 (181.5)	9.31 (236.5)	7.94 (201.5)
			Width	2.68 (68)	2.68 (68)	2.68 (68)	2.68 (68)	2.68 (68)
3/8	3/8	3/8	Height	1.18 (30)	1.18 (30)	1.18 (30)	1.18 (30)	1.18 (30)
			Length (A)	3.66 (93)	6.26 (159)	8.86 (225)	11.46(291)	14.05 (357)
			Length (B)	3.15 (80)	5.75 (146)	8.35 (212)	10.94 (278)	13.54 (344)
			Width	3.43 (87)	3.43 (87)	3.43 (87)	3.43 (87)	3.43 (87)
1/2	1/2	1/2	Height	1.32 (33.5)	1.32 (33.5)	1.32 (33.5)	1.32 (33.5)	1.32 (33.5)
			Length (A)	4.05 (103)	7.01 (178)	9.96 (253)	12.91 (328)	15.87 (403)
			Length (B)	3.46 (88)	6.42 (163)	9.37 (238)	12.32 (313)	15.27 (388)
			Width	3.86 (98)	3.86 (98)	3.86 (98)	3.86 (98)	3.86 (98)

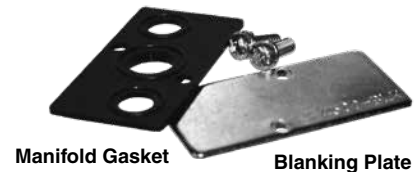


D

D4

MANIFOLD BLANKING KITS	Valve Port Size	Model Number
	1/8	1806H77
	1/4	1807H77
	3/8	1808H77
	1/2	1809H77

Manifold blanking kits include blanking plate, manifold gasket and mounting bolts.



## ACCESSORIES & OPTIONS

Electrical Connectors	Connector Form	Valve Port Size	Model Number*	
			24 Volts DC	110 Volts AC
	EN 175301-803 Form A MICRO-MINI	1/8	1766L77	1780L77
EN 175301-803 Industrial Form B connector	1/4, 3/8, 1/2	1767L77	1781L77	

\*3-Pin Electrical Connectors with LED & Surge Suppressor



## Silencers

Port Size	Thread Type	Model Number		Avg. C <sub>v</sub>	Dimensions inches (mm)		Weight lb (kg)
		NPT Threads	R/Rp Threads		Width	Length	
1/8	Male	5500A1003	D5500A1003	1.2	0.9 (21)	2.2 (55)	0.1 (0.1)
1/4	Male	5500A2003	D5500A2003	2.1	0.9 (21)	2.2 (55)	0.1 (0.1)
3/8	Male	5500A3013	D5500A3013	2.7	0.9 (21)	2.2 (55)	0.1 (0.1)
1/2	Male	5500A4003	D5500A4003	2.7	1.3 (32)	3.6 (92)	0.2 (0.1)



Pressure Range: 0 to 290 psig (0 to 20 bar) maximum. Flow Media: Filtered air.



บริษัท ฟลูเทค จำกัด  
FLU-TECH CO.,LTD

845/3-4 หมู่ 3 ถ.เทพารักษ์ ต.เทพารักษ์ อ.เมือง จ.สมุทรปราการ 10270

845/3-4 Thepharak RD., T.Thepharak, A.Muang, Samutprakarn 10270 THAILAND  
Tel. 0 2384 6060, Fax 0 2384 5701, Email : sales@flutech.co.th, www.flutech.co.th