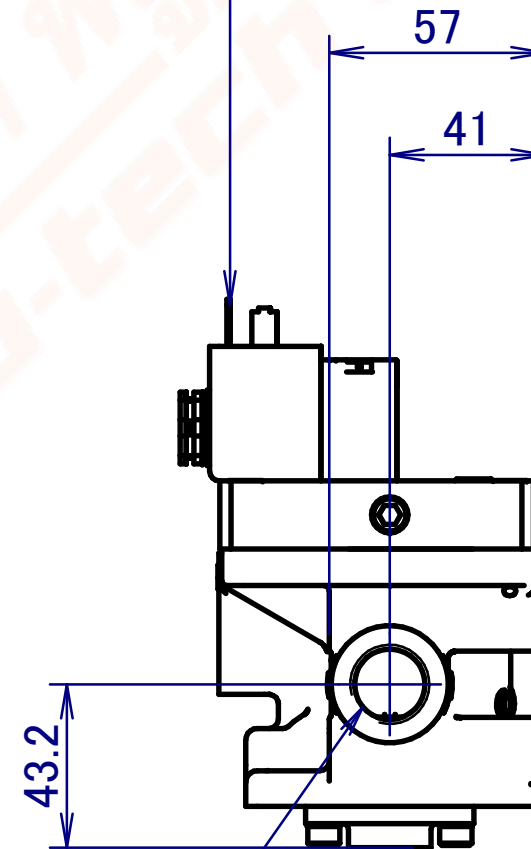
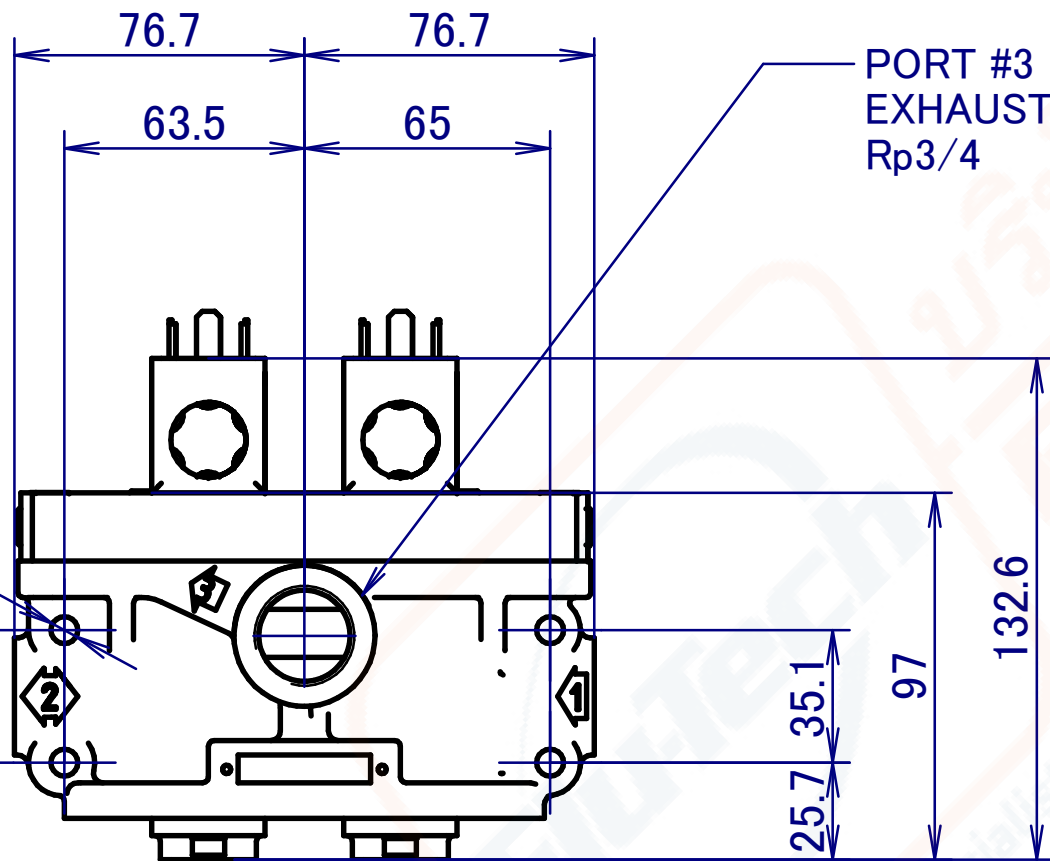
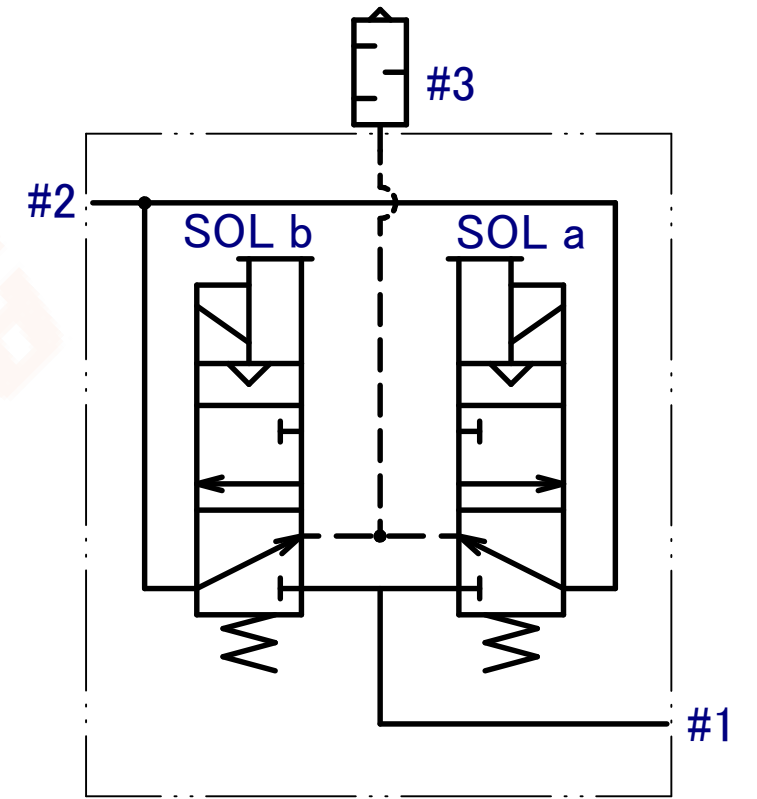


DIN43 650-A
3PIN CONN.



PORT #1: INLET
Rp1/2
OPPOSITE
PORT #2: OUTLET



CAUTIONS:
THIS DOUBLE VALVE HAS NO
MONITORING AND SENSING SYSTEM.



1/2" PARALLEL FLOW WITH PS PROVISION

J3573D4751