



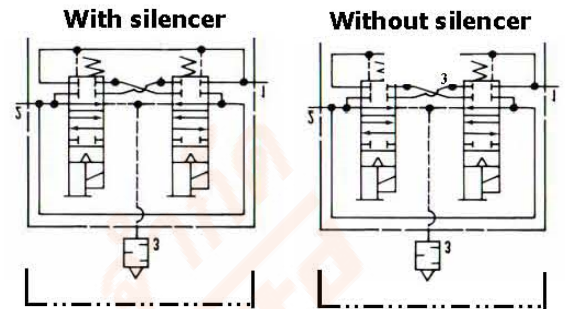
Crossflow Double Valves Size 8,12 and 30 SERPAR® (Without monitor)



With silencer



Without silencer

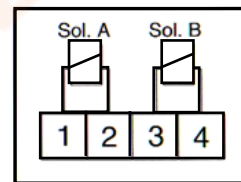


OPERATION

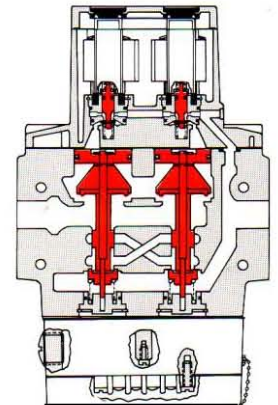
Both solenoids must be energized Simultaneously to shift valve ;
Maintained signal required to keep Valve shifted ; spring return

STANDARD SPECIFICATIONS

- Pilot Solenoids :** Two, rated for continuous duty.
- Standard voltages :** 100,110 volts 50 Hz ; 100,120 volts 60 Hz ; 24,110 volts DC. Other voltages available.
- Power Consumption :** Each solenoid, 87 VA inrush, 30 VA holding on 50 or 60 Hz ; 14 watts on DC.
- Reset Solenoid :** Rated for continuous duty. Voltages : 24-48 or 100-120 volts AC or DC.
- Electrical Connections :** Terminal strip.
- Ambient Temperature :** 4 to 50 °C (40 to 120 °F).
- Media Temperature :** 4 to 80 °C (40 to 175 °F).
- Flow Media :** Filtered air.
- Pressure Range :** 2 to 8.5 bar (30 to 125 psig).
- Ports :** NPT threads. For other threads.



Wiring Diagram

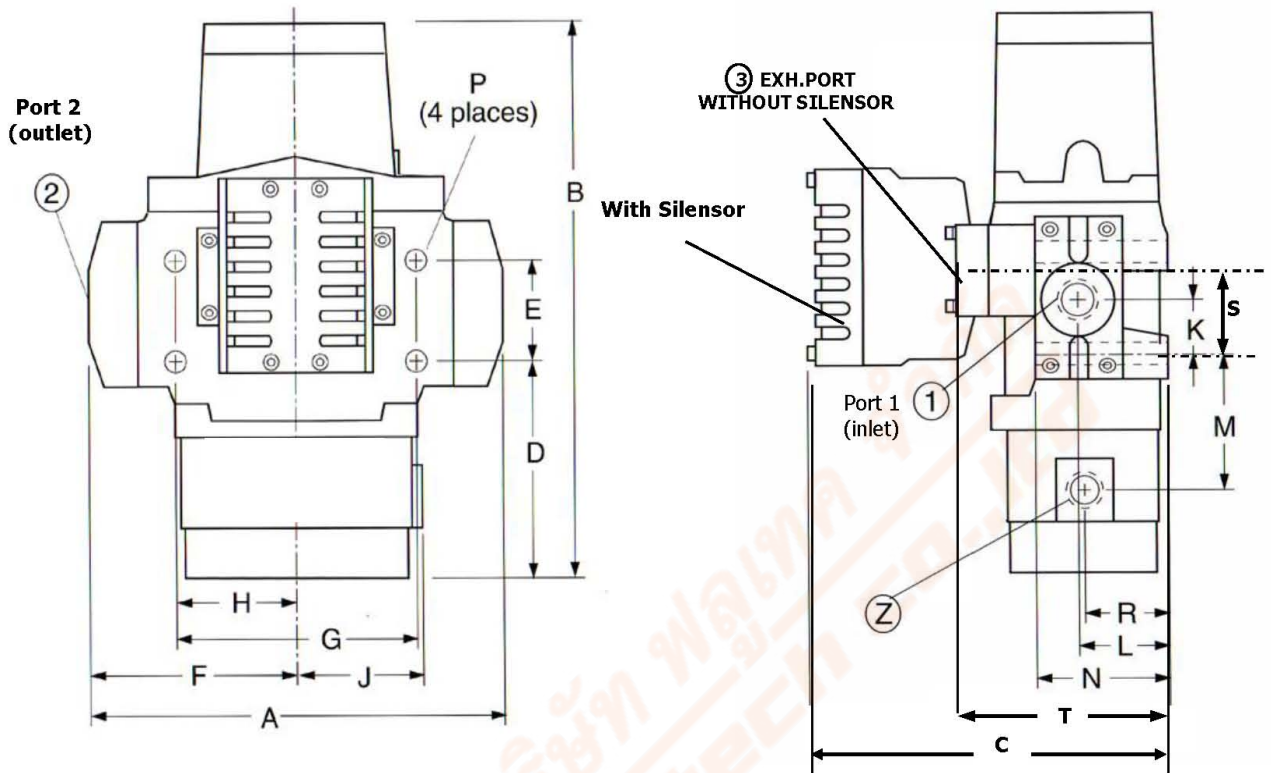


VALVE MODEL NUMBERS AND OVERALL DIMENSIONS

Body Size	Port Size	CV Factor		Model Number			
		Port 1 → 2	Port 2 → 3	With Silencer		Without Silencer	
				Internal Pilot	*External Pilot	Internal Pilot	*External Pilot
8	1/2	3.5	9.0	J3573A4144	None	J3573A4148	J3573A4992
	3/4	3.8	13.5	J3573A5144	None	J3573A5148	J3573A5776
	1	4.0	12.0	J3573A6154	None	J3573A6158	J3573A6977
12	3/4	8.0	17.0	J3573A5154	None	J3573A5158	J3573A5751
	1	8.5	23.0	J3573A6164	J3573A6997	J3573A6168	J3573A6856
	1 1/4	9.0	28.0	J3573A7164	J3573A7988	J3573A7168	J3573A7951
30	1 1/4	20.0	53.0	J3573A7154	J3573A7158	J3573A7158	J3573A7803
	1 1/2	21.0	55.0	J3573A8164	J3573A8168	J3573A8168	J3573A8949

* EXTERNAL PILOT MODEL

DIMENSIONS mm (inches)



Port ①②	1/2, 3/4, 1	3/4, 1, 1-1/4	1-1/4, 1-1/2
Body Size	8	12	30
Port ③	1	1-1/2	2-1/2
Port ④	1/2 NPSC electrical opening		
A	216(8.52)	228(8.96)	314(12.36)
B	259(10.2)	293(11.5)	414(16.3)
C	184(7.2)	216(8.6)	282(11.1)
D	93(3.7)	102(4.0)	104(4.1)
E	53.3(2.10)	76.0(3.0)	150(5.90)
F	108(4.26)	114(4.48)	157(6.18)
G	128(5.06)	140(5.50)	217(8.56)
H	64(2.53)	70(2.75)	109(4.28)
J	63(2.47)	63(2.47)	63(2.47)
K	32(1.25)	46(1.81)	115(4.52)
L	46(1.8)	43(1.69)	58(2.27)
M	52(2.03)	61(2.40)	64(2.50)
N	66(2.6)	76(3.0)	93(3.7)
P	7.1(0.28)	8.7(0.34)	13.5(0.53)
R	53(2.09)	53(2.09)	67(2.65)
S	43.9	46.0	131.1
T	129.2	136.7	168.5