

# High-Flow VANGUARD External Relief Piloted Regulator

## PRH180M Models Port Sizes: 3/4, 1, 1-1/4, 1-1/2



Model Shown: PRH180M-8G

### SPECIFICATIONS

**Ambient/Media Temperature:**

40° to 175°F (4° to 79°C).

**Body:** Aluminum.

**Dome:** Zinc.

**Fluid Media:** Compressed air.

**Inlet Pressure:** 300 psig (21 bar) maximum.

**Outlet Pressure:** 0 to 200 psig (0 to 14 bar).

**Pilot Ports:** 1/4 NPTF.

**Pressure Gauge:** 0 to 200 psig (14 bar); 1/4 NPT gauge ports front and rear.

**Seals:** Nitrile.

**Valve:** Aluminum.

**Valve Cap:** Nylon.

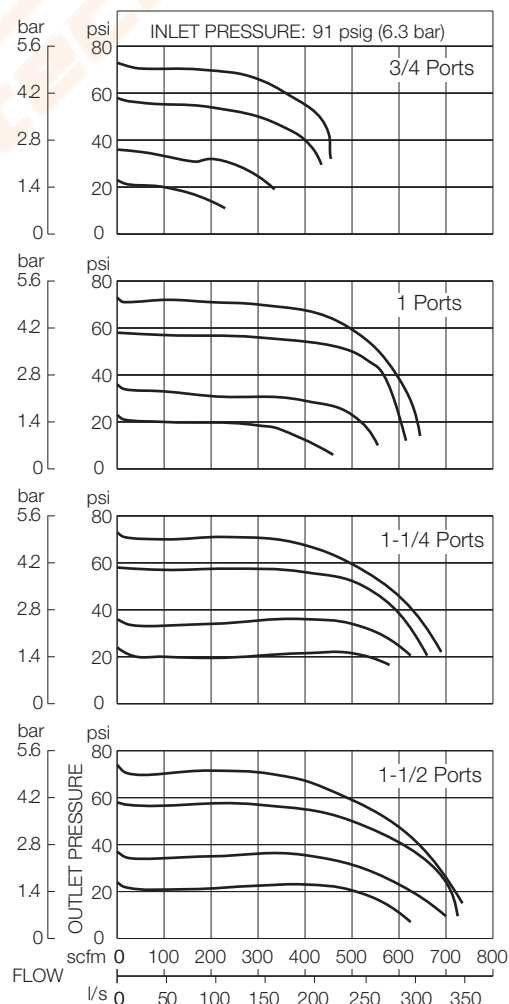
**Note:** Pilot (control) regulators (order separately).

- ◆ General purpose applications order R56M-2, R60-2, R67-2, R100-2, or R380-3
- ◆ Precision applications order IR100-2, R57M-2, IR380-3 or ER valve

High-Flow external relief piloted regulator separate control air from exhaust air.

- ◆ Inline mounting.
- ◆ Diaphragm-type design.
- ◆ Self-relieving.
- ◆ Pressure gauge.
- ◆ **NPTF** port threads; optional **BSPP** threads.
- ◆ @ 80 psi with 15 psi back pressure the relief is 10 scfm.

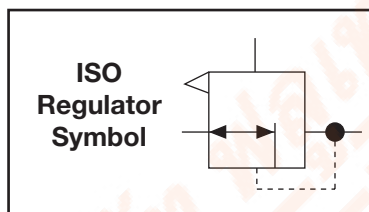
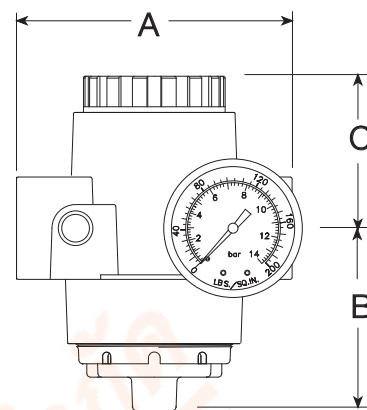
### FLOW CHARTS



**DIMENSIONS** inches (mm)

| Ports          | A            | B           | C           | Depth †     | Weight †       |
|----------------|--------------|-------------|-------------|-------------|----------------|
|                |              |             |             |             | lb (kg)        |
| 3/4<br>1       | 4.4<br>(111) | 2.9<br>(74) | 2.4<br>(62) | 2.8<br>(71) | 1.88<br>(0.85) |
| 1-1/4<br>1-1/2 | 4.9<br>(124) | 3.2<br>(81) | 2.1<br>(54) | 2.8<br>(71) | 2.25<br>(1.02) |

† Less gauge.



**ORDERING INFORMATION**

Change the letters in the sample model number below to specify the regulator you want.

**NOTE:** Order a pilot operator such as **R55-2**, **R56-2**, or **IR100-2** separately.

**PRH180M – 6 G W**

**PORT SIZE**

- 3/4 NPTF..... 6
- 1 NPTF ..... 8
- 1-1/4 NPTF ..... 10\*
- 1-1/2 NPTF ..... 12\*

**PORT TYPE**

- NPTF threads ..... Leave Blank
- BSP threads ..... W

**OPTION**

- None ..... Leave Blank
- 0-200 PSI Gauge ..... G

\* No mounting bracket available.

VANGUARD High-Flow High-Relief Externally Piloted Regulator, PRH180M



บริษัท ฟลูเทค จำกัด  
FLU - TECH CO., TD

845/3-4 หมู่ 3 ถ.เทพารักษ์ ต.เทพารักษ์ อ.เมือง จ.สมุทรปราการ 102070  
845/3-4 Thepharak RD., T. Thepharak, A. Muang, Samutprakan 10270 THAILAND  
Tel. 0 2384 6060, Fax 0 2384 5701, Email : sales@flutech.co.th, www.flutech.co.th