

# Full-Size VANGUARD Modular External Relief Piloted Regulator

# PRH100 Models Port Sizes: 1/4, 3/8, 1/2, 3/4



Model Shown: PRH100-6G

## SPECIFICATIONS

### Ambient/Media Temperature:

40° to 175°F (4° to 79°C).

**Body:** Zinc.

**Dome:** Zinc.

**Fluid Media:** Compressed air.

**Inlet Pressure:** 300 psig (21 bar) maximum.

**Outlet Pressure:** Adjustable 0 – 200 psig (0 – 14 bar).

**Pilot Ports:** 1/4 NPTF

**Pressure Gauge:** 0 to 200 psig (14 bar); 1/4 NPT gauge ports front and rear.

**Seals:** Nitrile; optional Viton seals.

**Valve:** Brass.

**Valve Cap:** Nylon.

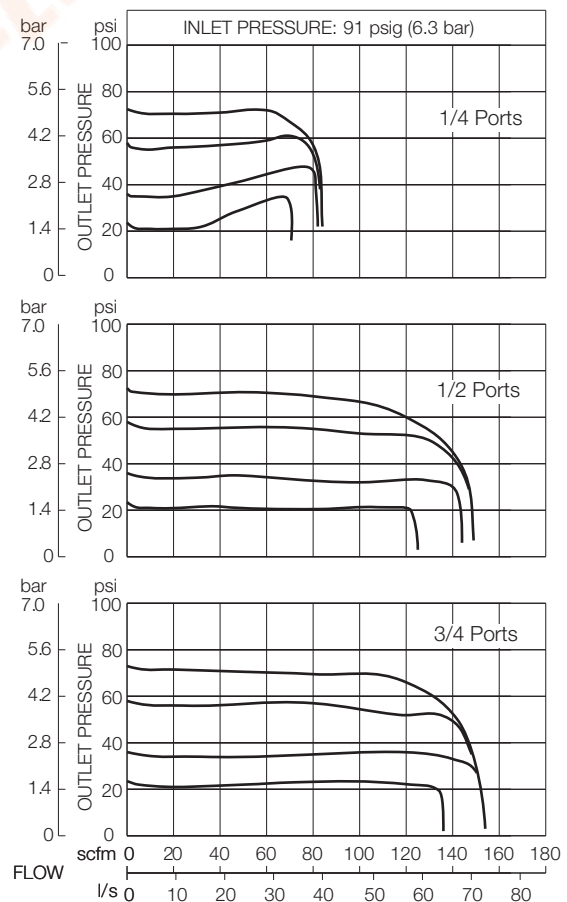
External relief piloted regulators separate control air from exhaust air.

- ◆ Modular or inline mounting.
- ◆ Diaphragm-type design.
- ◆ Self-relieving.
- ◆ Pressure gauge.
- ◆ **NPTF** port threads; optional **BSPP** threads.

**Note:** Pilot (control) regulators (order separately).

- ◆ General purpose applications order R56M-2, R60-2, R67-2, R100-2, or R380-3
- ◆ Precision applications order IR100-2, R57M-2, IR380-3 or ER valve

## FLOW CHARTS



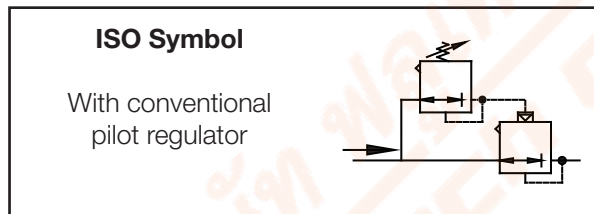
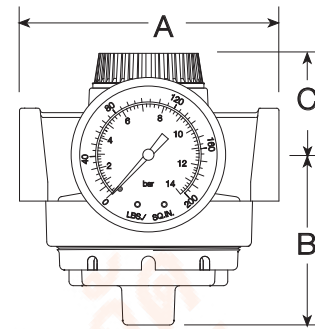
บริษัท ฟลูเทค จำกัด  
FLU - TECH CO., TD

845/3-4 หมู่ 3 ถ.เทพารักษ์ ต.เทพารักษ์ อ.เมือง จ.สมุทรปราการ 102070  
845/3-4 Thepharak RD., T. Thepharak, A. Muang, Samutprakan 10270 THAILAND  
Tel. 0 2384 6060, Fax 0 2384 5701, Email : sales@flutech.co.th, www.flutech.co.th

**DIMENSIONS** inches (mm)

A	B	C	Depth †	Weight † lb (kg)
3.5 (89)	2.4 (62)	1.3 (33)	2.8 (71)	2.06 (0.92)

† Less gauge.



**ORDERING INFORMATION**

Change the letters in the sample model number below to specify the regulator you want.

**NOTE:** Order a pilot operator such as **R55-2**, **R56-2**, or **IR100-2** separately.

**PRH100 - 2 Y G W**

**PORT SIZE**

- 1/4 NPTF..... 2
- 3/8 NPTF..... 3
- 1/2 NPTF..... 4
- 3/4 NPTF..... 6

**PORT TYPE**

- NPTF threads ..... Leave Blank
- BSP threads ..... W

**OPTION**

- None ..... Leave Blank
- 0-200 PSI Gauge ..... G

**OPTION**

- None ..... Leave Blank
- Viton seals..... V

**MOUNTING BRACKETS**

See page 320.

