

SENTRY Modular General Purpose Filters

FD10 Models Port Sizes: 1/8, 1/4; Tube Fittings



Model Shown: FD10-2

- ◆ Modular assembly and mounting.
- ◆ Threaded ports or quick-connect fittings for tubing up to 10 mm in diameter.
- ◆ 5- μ m-rated polyethylene filter element; optional sintered bronze elements.
- ◆ High-strength polycarbonate plastic filter bowl; optional metal bowl.
- ◆ Internal automatic drain; optional manual drain.
- ◆ NPTF port threads; optional BSPP threads.

SPECIFICATIONS

Ambient/Media Temperature:

40° to 125°F (4° to 52°C).

Body:

Acetal.

Bowl: 2-Ounce (60-ml) capacity polycarbonate plastic; optional aluminum bowl.

Bowl Drain:

Internal automatic drain; optional manual drain.

Filter Element: 5- μ m-rated polyethylene; optional 5- μ m, 20- μ m, or 40- μ m sintered bronze.

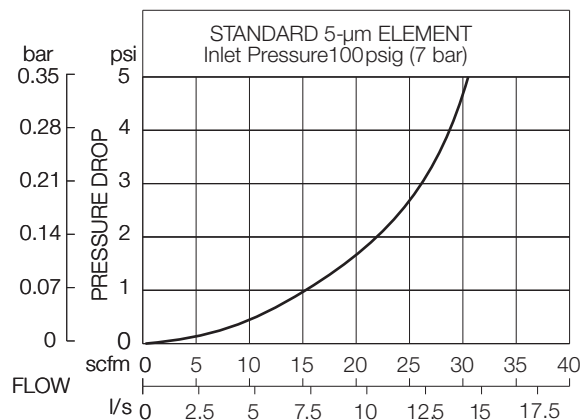
Fluid Media: Compressed air.

Inlet Pressure:

15 psig (1 bar) minimum with automatic drain.
150 psig (10 bar) maximum.

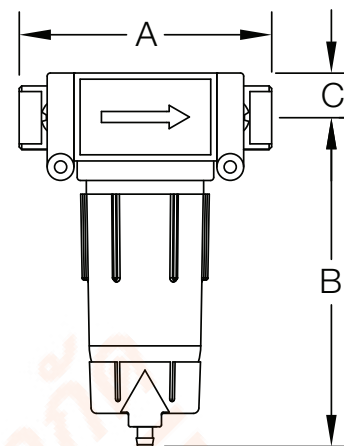
Seals: Nitrile.

FLOW CHART

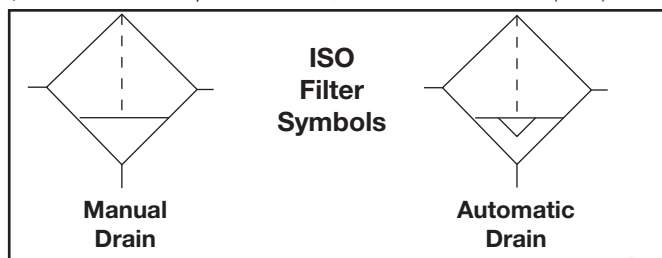


DIMENSIONS inches (mm)

Ports	A	B †	C	Depth	Weight lb (kg)
No Port	1.7 (43)	3.9 (99)	0.5 (13)	1.8 (45)	0.27 (0.12)
1/8, 1/4	3.0 (76)	3.9 (99)	0.5 (13)	1.8 (45)	0.49 (0.22)
Models below have quick-connect fittings for tubing.					
1/4	3.4 (86)	3.9 (99)	0.5 (13)	1.8 (45)	0.47 (0.21)
3/8	3.9 (99)	3.9 (99)	0.5 (13)	1.8 (45)	0.47 (0.21)
4 mm	3.4 (86)	3.9 (99)	0.5 (13)	1.8 (45)	0.47 (0.21)
6 mm	3.4 (86)	3.9 (99)	0.5 (13)	1.8 (45)	0.47 (0.21)
8 mm	3.4 (86)	3.9 (99)	0.5 (13)	1.8 (45)	0.47 (0.21)
10 mm	3.9 (99)	3.9 (99)	0.5 (13)	1.8 (45)	0.47 (0.21)



† Dimension for plastic bowl; metal bowl is 4.3 (109).



REPLACEMENT FILTER ELEMENT KITS

Element Type	Kit Number
5-µm polyethylene (Std element).....	KA130-27PE5
5-µm bronze	KA130-27E5
20-µm bronze	KA130-27E4
40-µm bronze	KA130-27E3

ORDERING INFORMATION

Change the letters in the sample model number below to specify the filter you want.

B FD 10 P - 2 X Y W

BOWL TYPE

Plastic bowl Leave Blank
Metal bowl B

BOWL DRAIN

Internal automatic drain FD
Manual drain F

MOUNTING HOLE LOCATION

Bottom mount (standard) Leave Blank
Top mount P

INLET PORT SIZE

No inlet & outlet ports Leave Blank

Threaded:

1/8 NPTF -1
1/4 NPTF -2

Fitting for tubing:

1/4 -04
3/8 -06
4mm -M4
6mm -M6
8mm -M8
10mm -M10

PORT TYPE

As specified in **INLET PORT** Leave Blank
BSPB threads on both ports W

OPTIONS (More than one option can be chosen. Add in alphabetical order.)

None Leave Blank

Polyethylene filter element:

5-µm rating Leave Blank

Bronze filter element:

5-µm rating E5

20-µm rating E4

40-µm rating E3

No Drain (*lubricator bowl*) LDC

Use manual drain option under

BOWL DRAIN SECTION as well.

OUTLET PORT SIZE

Same as inlet port Leave Blank

Threaded:

1/8 NPTF -1
1/4 NPTF -2

Fitting for tubing:

1/4 -04
3/8 -06
4mm -M4
6mm -M6
8mm -M8
10mm -M10



บริษัท ฟลูเทค จำกัด
FLU - TECH CO., TD

845/3-4 หมู่ 3 ถ.เทพารักษ์ ต.เทพารักษ์ อ.เมือง จ.สมุทรปราการ 102070
845/3-4 Thepharak RD., T.Thepharak, A. Muang, Samutprakan 10270 THAILAND
Tel. 0 2384 6060, Fax 0 2384 5701, Email : sales@flutech.co.th, www.flutech.co.th