

# HIGH PRESSURE 400 psi Maximum Inlet Regulator

# R67 Models Port Sizes: 1/8, 1/4, 3/8

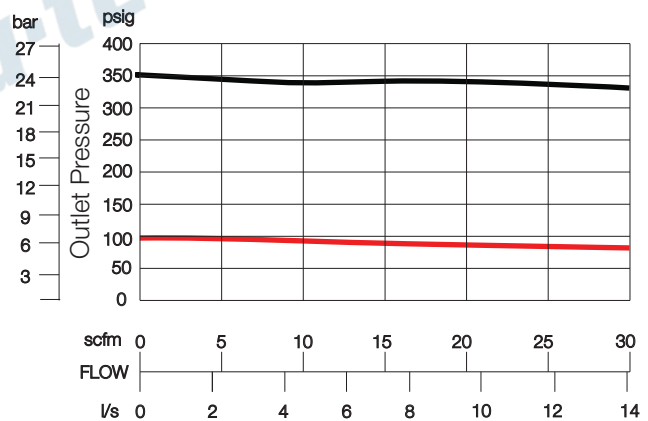


Model Shown: R67-3G1

- ◆ 400 PSIG maximum inlet pressure
- ◆ Pressure adjustment has a locking feature (Locknut).
- ◆ Self-relieving; non-relieving optional.
- ◆ Extra-strength metal dome.
- ◆ Aluminum body and dome; piston operation design
- ◆ NPTF port threads; optional BSPP threads.

## FLOW CHART

R67-3 Flow Characteristics using a 0-400 psig main spring and a 400 psig inlet



## SPECIFICATIONS

### Ambient/Media Temperature:

40° to 175°F (4° to 79°C).

**Body and Dome:** Aluminum

**Fluid Media:** Compressed air.

**Inlet Pressure:** 400 psig (27.5 bar) maximum.

**Knob:** Glass filled Nylon.

**Outlet Pressure:** Adjustable up to 390 psig (26 bar); optional 0-100 psig (7 bar) and 0-200 psig (14 bar).

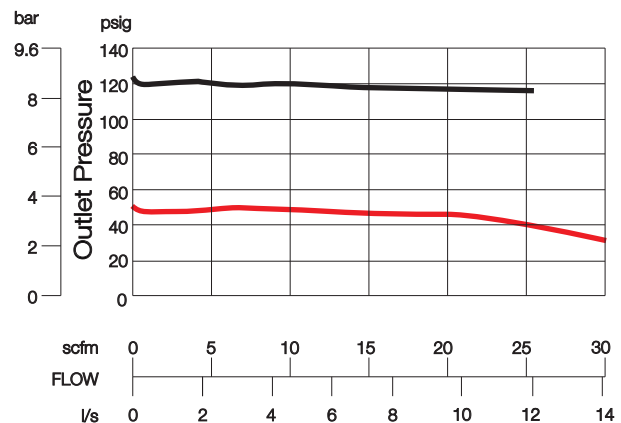
**Pressure Gauge:** 0 to 200 psig (0 to 14 bar); optional 0 to 600 psig (0 to 41 bar); 1/4-NPTF gauge ports on front and rear of head.

**Seals and O-rings:** Nitrile; optional Viton.

**Panel Mounting:** 1-9/16 inch (40mm) hole required.

## FLOW CHART

R67-3 Flow Characteristics using a 0-200 psig main spring and a 400 psig inlet



บริษัท ฟลูเทค จำกัด  
FLU-TECH CO.,LTD

845/3-4 หมู่ 3 ถ.เทพารักษ์ ต.เทพารักษ์ อ.เมือง จ.สมุทรปราการ 10270

845/3-4 Thepharak RD., T.Thepharak, A.Muang, Samutprakarn 10270 THAILAND

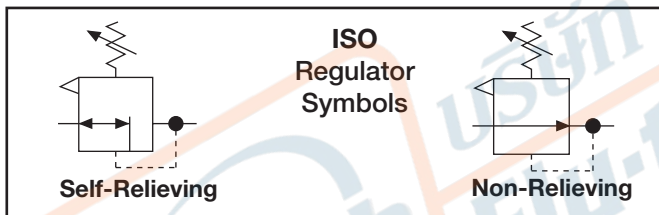
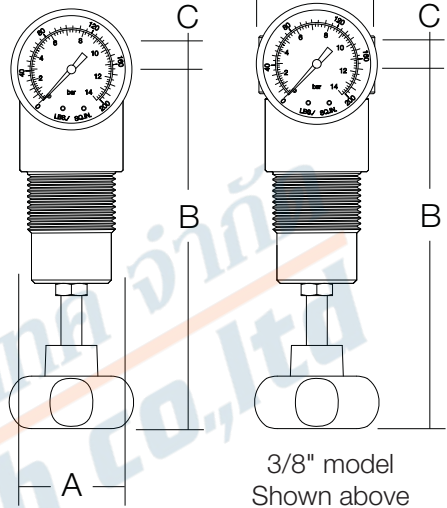
Tel. 0 2384 6060, Fax 0 2384 5701, Email : sales@flutech.co.th, www.flutech.co.th

## DIMENSIONS inches (mm)

Port Size	A	B	C	Depth †	Weight † lb (kg)
1/8-NPTF	1.9	7.3 max	0.4	1.9	1.15
1/4-NPTF	(47)	(186 max)	(10)	(47)	(0.53)
3/8-NPTF	2.1	7.4 max	0.5	2.1	1.30
	(54)	(188 max)	(13)	(54)	(0.59)

† Less Gauge

1/8" and 1/4" model  
Shown below



## ORDERING INFORMATION

Change the letters in the sample model number below to specify the regulator you want.

### R67- 3 Y G1 PN W

#### PORT SIZE

1/8 NPTF..... 1  
1/4 NPTF..... 2  
3/8 NPTF..... 3

#### OPTIONS

(More than one option can be chosen)

None ..... Leave Blank

Non-relieving ..... A

Small Valve Seat ..... C

Springs: (0-390 psig standard)

For optimum performance operating pressure should fall approximately in the middle of the spring range.

0-100 psig (0- 7 bar) ..... L100

0-200 psig (0- 14 bar) ..... L200

Viton O-rings and seals..... V

#### PORT TYPE

NPTF threads ..... Leave Blank  
BSPP threads ..... W

#### PANEL MOUNT OPTION

None ..... Leave Blank  
Metal mounting nut ..... PN

#### GAUGE OPTIONS

None ..... Leave Blank  
0-200 psig 1/4" Gauge ..... G  
0-600 psig 1/4" Gauge ..... G1



บริษัท ฟลูเทค จำกัด  
FLU-TECH CO.,LTD

845/3-4 หมู่ 3 ถ.เทพารักษ์ ต.เทพารักษ์ อ.เมือง จ.สมุทรปราการ 10270

845/3-4 Thepharak RD., T.Thepharak, A.Muang, Samutprakarn 10270 THAILAND

Tel. 0 2384 6060, Fax 0 2384 5701, Email : sales@flutech.co.th, www.flutech.co.th