

# High-Flow VANGUARD Externally Piloted Regulators

# PR180M Models Port Sizes: 3/4, 1, 1-1/4, 1-1/2



Model Shown: PR180M-6G

- ◆ Inline mounting.
- ◆ Diaphragm-type design.
- ◆ Self-relieving.
- ◆ Pressure gauge.
- ◆ NPTF port threads; optional BSPP threads.
- ◆ @ 80 psi with 15 psi back pressure the relief is 6.25 scfm - Needs control regulator that relieves more than this.

**Note:** Pilot (control) regulators (order separately).

- ◆ General purpose applications order R56M-2, R60-2, R67-2, R100-2, or R380-3
- ◆ Precision applications order IR100-2, R57M-2, IR380-3 or ER valve

## SPECIFICATIONS

**Ambient/Media Temperature:**

40° to 175°F (4° to 79°C).

**Body:** Aluminum.

**Dome:** Zinc.

**Fluid Media:** Compressed air.

**Inlet Pressure:** 300 psig (21 bar) maximum.

**Outlet Pressure:** 0 to 200 psig (0 to 14 bar).

**NOTE:** Outlet pressure depends on the selection of the pilot regulator.

**Pilot Ports:** 1/4 NPTF.

**Pressure Gauge:** 0 to 200 psig (14 bar); 1/4 NPT gauge ports front and rear.

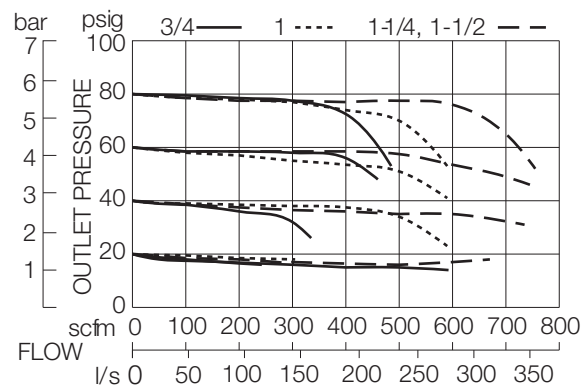
**Seals:** Nitrile.

**Valve:** Aluminum.

**Valve Cap:** Nylon.

## FLOW CHART

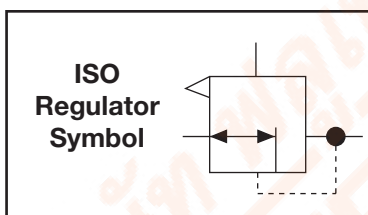
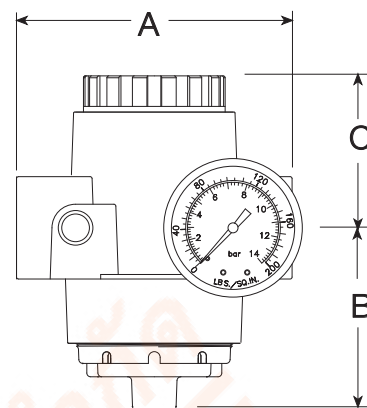
Inlet Pressure: 100 psig (7 bar)



**DIMENSIONS** inches (mm)

Ports	A	B	C	Depth †	Weight † lb (kg)
3/4 1	4.4 (111)	2.9 (74)	2.4 (62)	2.8 (71)	1.88 (0.85)
1-1/4 1-1/2	4.9 (124)	3.2 (81)	2.1 (54)	2.8 (71)	2.25 (1.02)

† Less gauge.



**ORDERING INFORMATION**

Change the letters in the sample model number below to specify the regulator you want.

**NOTE:** Order a pilot operator such as **R55-2, R56-2, or IR100-2** separately.

**PR180M - 6 Y G W**

<p><b>PORT SIZE</b></p> <p>3/4 NPTF..... 6</p> <p>1 NPTF ..... 8</p> <p>1-1/4 NPTF ..... 10*</p> <p>1-1/2 NPTF ..... 12*</p>	<p><b>PORT TYPE</b></p> <p>NPTF threads ..... Leave Blank</p> <p>BSP threads ..... W</p> <p><b>OPTION</b></p> <p>None ..... Leave Blank</p> <p>0-200 PSI Gauge ..... G</p> <p><b>OPTION</b></p> <p>None ..... Leave Blank</p> <p>Non-relieving ..... A</p>
--	--

\* No mounting bracket available.

