

# Full-Size SERIES 380 Modular Externally Piloted Regulators

# PR380 Models Port Sizes: 3/8, 1/2, 3/4

## Available Color Caps



- ◆ Modular or inline mounting.
- ◆ Self-relieving diaphragm design.
- ◆ Pressure gauge.
- ◆ NPTF port threads; optional BSPP threads.

**Note:** Pilot (control) regulators (order separately).

- ◆ General purpose applications order R56M-2, R60-2, R67-2, R100-2, or R380-3
- ◆ Precision applications order IR100-2, R57M-2, IR380-3 or ER valve



Model Shown: PR380-6G

## SPECIFICATIONS

### Ambient/Media Temperature:

40° to 175°F (4° to 79°C).

**Body:** Zinc.

**Dome:** Zinc.

**Fluid Media:** Compressed air.

**Inlet Pressure:** 300 psig (21 bar) maximum.

**Outlet Pressure:** Adjustable 0 – 250 psig (0 – 17 bar).

**Pilot Ports:** 1/4 NPTF

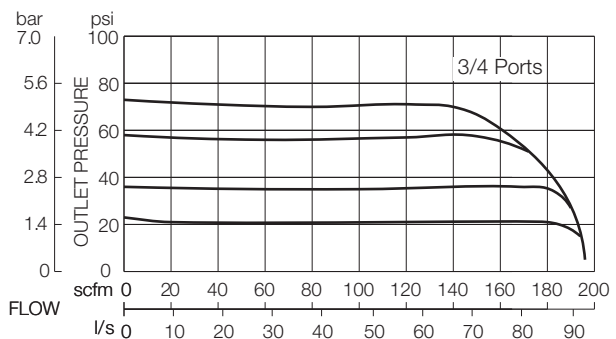
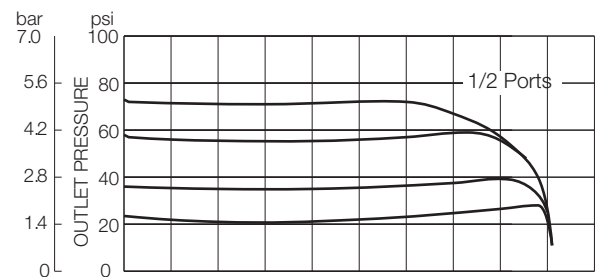
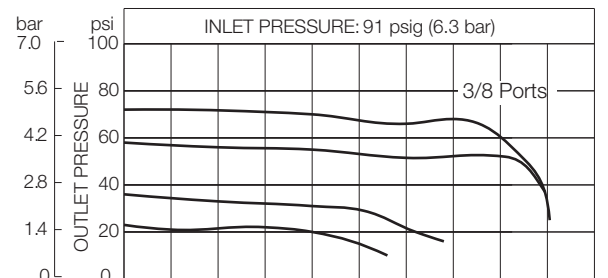
**Pressure Gauge:** 0 to 200 psig (14 bar); 1/4 NPT gauge ports front and rear.

**Seals:** Nitrile.

**Valve:** Brass.

**Valve Cap:** Nylon.

## FLOW CHARTS



บริษัท ฟลูเทค จำกัด  
FLU-TECH CO.,LTD

845/3-4 หมู่ 3 ถ.เทพารักษ์ ต.เทพารักษ์ อ.เมือง จ.สมุทรปราการ 10270

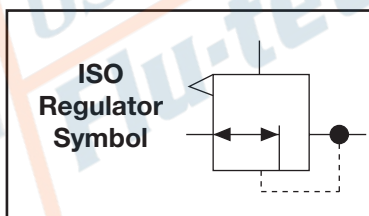
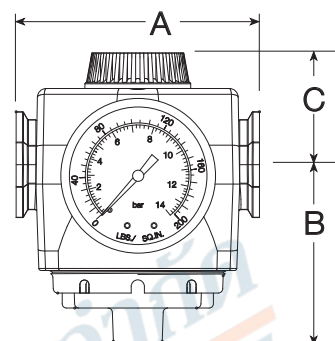
845/3-4 Thepharak RD., T.Thepharak, A.Muang, Samutprakarn 10270 THAILAND

Tel. 0 2384 6060, Fax 0 2384 5701, Email : sales@flutech.co.th, www.flutech.co.th

## DIMENSIONS inches (mm)

A	B	C	Depth †	Weight † lb (kg)
3.5 (87)	2.4 (62)	1.6 (40)	2.9 (73)	2.20 (1.00)

† Less gauge.



## ORDERING INFORMATION

Change the letters in the sample model number below to specify the regulator you want.

**NOTE:** Order a pilot operator such as **R55-2**, **R56-2**, or **IR100-2** separately.

**PR380 - 3 Y G W**

### PORT SIZE

3/8 NPTF.....	3
1/2 NPTF.....	4
3/4 NPTF.....	6

### PORT TYPE

NPTF threads .....	Leave Blank
BSPF threads .....	W

### OPTIONS

None .....	Leave Blank
0-200 PSI Gauge .....	G

**OPTIONS** (More than one option can be chosen. Add in alphabetical order)

None .....	Leave Blank
Non-relieving .....	A
Cap Color: Grey is standard	
MP yellow .....	C1
Red.....	C2
Mid blue.....	C3

### MOUNTING BRACKETS

See page 356.



**บริษัท ฟลูเทค จำกัด**  
**FLU-TECH CO.,LTD**

845/3-4 หมู่ 3 ถ.เทพารักษ์ ต.เทพารักษ์ อ.เมือง จ.สมุทรปราการ 10270

845/3-4 Thepharak RD., T.Thepharak, A.Muang, Samutprakarn 10270 THAILAND

Tel. 0 2384 6060, Fax 0 2384 5701, Email : sales@flutech.co.th, www.flutech.co.th