

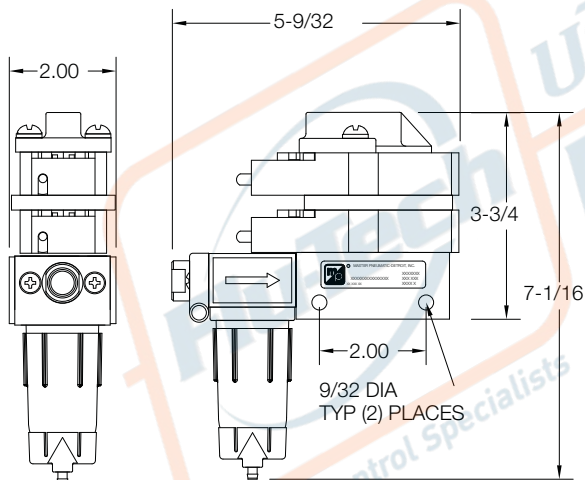
# SERVO-METER Controller

# PC100 Models Port Sizes: 1/4



Model Shown: PC100-2

The PC100 controller has been designed to supply a consistent and accurate way of lubrication. This is done by providing an actuation every 1, 5, 10, 25, 50 or 100 pulses supplied off the inlet air. The inlet air must also be in the form of an on-off signal as would be received from downstream of an operating valve. This controller allows the pulse of air to be actuated at as little as 100 times in inlet air signal and is most often used to control lubrication in M/P's Serv-Oil systems.



## ORDERING INFORMATION

Change the letters in the sample model number below to specify the filter/regulator you want.

## PC100-2 W

### PORT TYPE

- 1/4 NPTF ..... Leave Blank
- 1/4 BSPP ..... W



บริษัท ฟลูเทค จำกัด  
FLU-TECH CO.,LTD

845/3-4 หมู่ 3 ถ.เทพารักษ์ ต.เทพารักษ์ อ.เมือง จ.สมุทรปราการ 10270  
845/3-4 Thepharak RD., T.Thepharak, A.Muang, Samutprakarn 10270 THAILAND  
Tel. 0 2384 6060, Fax 0 2384 5701, Email : sales@flutech.co.th, www.flutech.co.th