

Full-Size SERIES 380 Modular Internally Piloted Precision Regulators

IR380 Models Port Sizes: 3/8, 1/2, 3/4

Available Color Caps



Model Shown: IR380-6G



Yellow
(optional)



Red
(optional)



Blue
(optional)



Grey
(standard)

- ◆ Modular or inline mounting.
- ◆ Self-relieving diaphragm design.
- ◆ Repeatability ± 0.5 psi (0.034 bar).
- ◆ Easy finger adjustment. No overshoot or undershoot when adjusting.
- ◆ Constant air bleed for high accuracy.
- ◆ Pressure gauge.
- ◆ NPTF port threads; optional BSPP threads.

SPECIFICATIONS

Ambient/Media Temperature:

40° to 125°F (4° to 52°C).

Body and Dome: Zinc.

Bonnet and Knob: Glass Filled Nylon and Acetal.

Constant Air Bleed Rate: 0.18 – 0.33 scfm at 80 psi secondary pressure

Fluid Media: Compressed air.

Inlet Pressure: 250 psig (17 bar) maximum.

Outlet Pressure: Adjustable 15 –200 psig (1– 13.7 bar).

Pressure Gauge: 0 to 200 psig (14 bar); 1/4 NPT gauge ports front and rear.

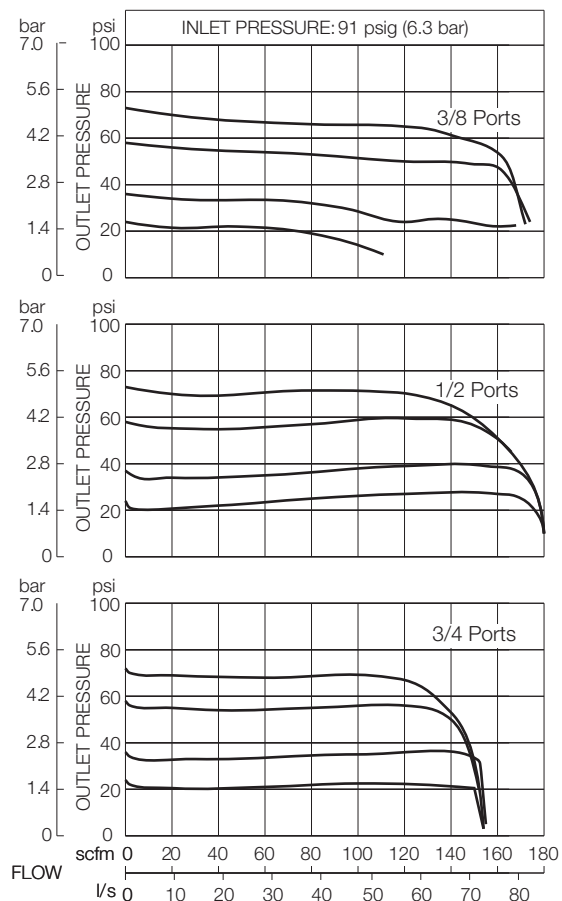
Panel Mounting: 1-3/16 (30 mm) hole required.

Seals: Nitrile.

Self-relieving

Valve: Brass.

FLOW CHARTS



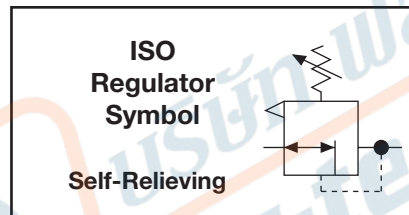
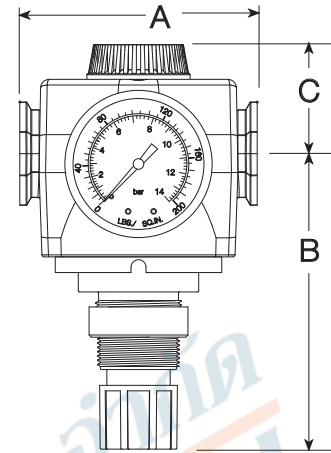
บริษัท ฟลูเทค จำกัด
FLU-TECH CO.,LTD

845/3-4 หมู่ 3 ถ.เทพารักษ์ ต.เทพารักษ์ อ.เมือง จ.สมุทรปราการ 10270
845/3-4 Thepharak RD., T.Thepharak, A.Muang, Samutprakarn 10270 THAILAND
Tel. 0 2384 6060, Fax 0 2384 5701, Email : sales@flutech.co.th, www.flutech.co.th

DIMENSIONS inches (mm)

| A | B | C | Depth † | Weight † lb (kg) |
|-------------|--------------|-------------|-------------|---------------------|
| 3.5 (87) | 4.8 (122) | 1.6 (41) | 2.9 (73) | 2.3 (1.0) |

† Less gauge.



ORDERING INFORMATION

Change the letters in the sample model number below to specify the regulator you want.

IR380 - 3 Y G W

PORT SIZE

- 3/8 NPTF 3
- 1/2 NPTF 4
- 3/4 NPTF 6

PORT TYPE

- NPTF threads Leave Blank
- BSPP threads W

OPTIONS (More than one option can be chosen. Add in alphabetical order)

- Delete gauge Leave Blank
- 0-200 PSI Gauge G
- Plastic mounting nut P
- Metal mounting nut PN
- Hex plastic mounting nut PE

OPTIONS (More than one option can be chosen. Add in alphabetical order)

- None Leave Blank

Cap color: Grey is standard.

- MP yellow C1
- Red C2
- Mid blue C3

Springs: (15-200 psig standard)

- For optimum performance operating pressure should fall approximately in the middle of the spring range.
- 15-250 psig (1-17 bar) H
- 15-100 psig (1-7 bar) L

MOUNTING BRACKETS

See page 356.



บริษัท ฟลูเทค จำกัด
FLU-TECH CO.,LTD

845/3-4 หมู่ 3 ถ.เทพารักษ์ ต.เทพารักษ์ อ.เมือง จ.สมุทรปราการ 10270
845/3-4 Thepharak RD., T.Thepharak, A.Muang, Samutprakarn 10270 THAILAND
Tel. 0 2384 6060, Fax 0 2384 5701, Email : sales@flutech.co.th, www.flutech.co.th