

# High-relief pilot operated regulator

## HPR251 Models Port Sizes: 1-1/2, 2



Model Shown: HPR251-12G

### SPECIFICATIONS

**Inlet Pressure Range:**

10 PSIG (min) to 450 PSIG (max) (0.7 TO 31 bar)

**Outlet PSI Range:** 0-250 PSI (17.2 bar)

**Operating Temp:** 0°F TO 175°F (-18°C to 79°C)  
(Air moisture content must be dry)

**Flow Rating:** Flow rates exceed 2,000 SCFM.

**Body:** Cast aluminum

**Dome:** Cast aluminum

**Cap:** Teflon coated aluminum

**Valve:** Nitrile bonded aluminum

**Elastomers:** Nitrile

**Ports:** 2" or 1-1/2-NPTF

**Gauge Ports:** 1/4-NPTF

**Exhaust Port:** 3/4-NPTF

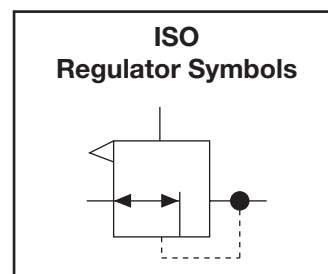
Designed for systems that require high flow, high-relief and pressure regulation. This unit can be installed in an inaccessible location with a control regulator in an accessible location.

- ◆ Diaphragm design. Excellent pressure regulation and stability.
- ◆ High-relief characteristics up to 200 SCFM.
- ◆ Balanced valve minimizes effect of pressure changes on inlet pressure.
- ◆ Inline mounting.
- ◆ 3/4-14 NPTF exhaust port.
- ◆ Self relieving.
- ◆ NPTF port threads; ISO G type (parallel) optional
- ◆ Integral pilot regulator porting.
- ◆ 1/4-18 NPTF auxiliary inlet pressure port

**NOTE:**

Pilot (control) regulators (Order separately).

- ◆ General purpose order R56M-2, R350-2 and R67-2
- ◆ Precision applications order ER valve, IR380-2, and R57M-2.



บริษัท ฟลูเทค จำกัด  
FLU-TECH CO.,LTD

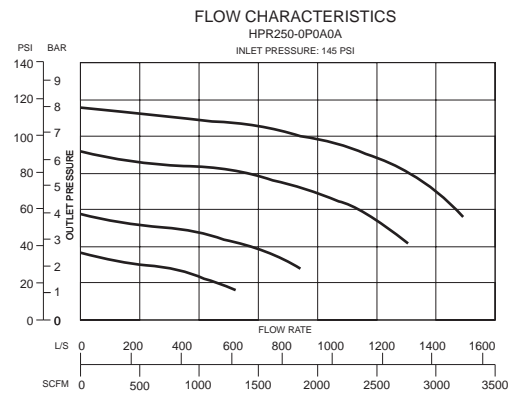
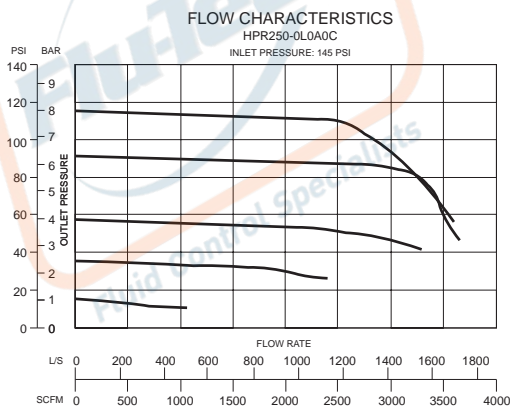
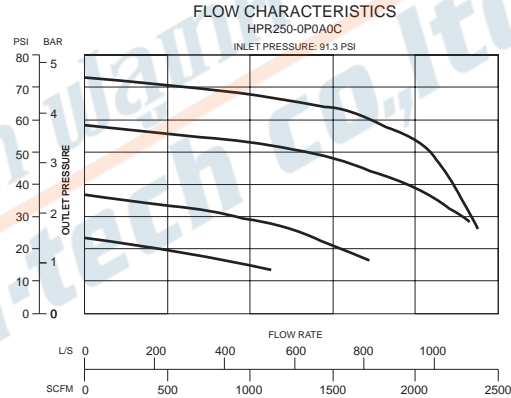
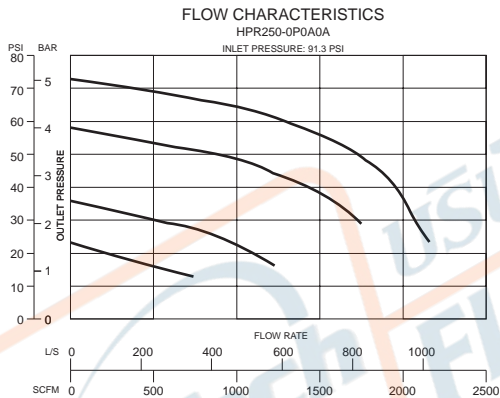
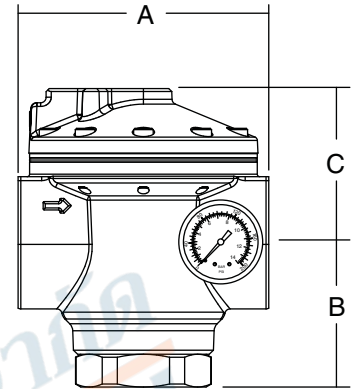
845/3-4 หมู่ 3 ถ.เทพารักษ์ ต.เทพารักษ์ อ.เมือง จ.สมุทรปราการ 10270

845/3-4 Thepharak RD., T.Thepharak, A.Muang, Samutprakarn 10270 THAILAND  
Tel. 0 2384 6060, Fax 0 2384 5701, Email : sales@flutech.co.th, www.flutech.co.th

## DIMENSIONS inches (mm)

PORTS	A	B	C	DEPTH †	WEIGHT lb (kg) †
1-1/2	6 (152.4)	3.5 (88.9)	3.7 (94)	5.5 (139.7)	7.15 (3.25)
2	6 (152.4)	3.5 (88.9)	3.7 (94)	5.5 (139.7)	6.87 (3.12)

† Less gauge.



## ORDERING INFORMATION

Change the letters in the sample model number below to specify the regulator you want.

# HPR251 - 12 A G W

### PORT SIZE

1-1/2 NPTF ..... 12  
2 NPTF ..... 16

### OPTIONS

(More than one option can be chosen)

None ..... Leave Blank  
Relieving ..... Leave Blank  
Non-relieving ..... A

### PORT TYPE

NPTF threads ..... Leave Blank  
BSP threads ..... W

### GAUGE OPTION

None ..... Leave Blank  
0-200 PSI Gauge ..... G  
0-300 PSI Gauge ..... G2



**บริษัท ฟลูเทค จำกัด**  
**FLU-TECH CO.,LTD**

845/3-4 หมู่ 3 ถ.เทพารักษ์ ต.เทพารักษ์ อ.เมือง จ.สมุทรปราการ 10270

845/3-4 Thepharak RD., T.Thepharak, A.Muang, Samutprakarn 10270 THAILAND

Tel. 0 2384 6060, Fax 0 2384 5701, Email : sales@flutech.co.th, www.flutech.co.th