

High-relief pilot operated regulator with integral control regulator

HPR250 Models Port Sizes: 1-1/2, 2



Model Shown: HPR250-0B0B0A

Designed for systems that require high flow, high-relief and pressure regulation. This unit can be installed in an inaccessible location with a control regulator in an accessible location.

- ◆ Diaphragm design. Excellent pressure regulation and stability.
- ◆ High-relief characteristics up to 200 **SCFM**.
- ◆ Balanced valve minimizes effect of pressure changes on inlet pressure.
- ◆ Inline mounting.
- ◆ 3/4-14 **NPTF** exhaust port.
- ◆ Self relieving.
- ◆ **NPTF** port threads; **ISO G** type (parallel) optional
- ◆ Integral pilot regulator porting.
- ◆ 1/4-18 **NPTF** auxiliary inlet pressure port



INTERNAL PILOT REGULATOR OPTION

Constant bleed feature provides quick response to pressure changes .
Finger adjustment.



FEED BACK INTEGRAL PILOT REGULATOR OPTION

Provides superior pressure regulation under changing flow demands. Where changes in flow are not sudden or cyclic.



GENERAL PURPOSE INTEGRAL PILOT REGULATOR OPTION

Provides good pressure regulation, rapid response to changing flow demands, excellent stability.

WARNING - FEEDBACK REGULATORS

The feedback line must sense the pilot operated regulator outlet pressure and must be connected before turning on the air supply. If it is not connected, the pilot operated regulator outlet pressure will rapidly increase to the inlet pressure when the adjusting knob on the pilot regulator is turned clockwise.



DIMENSIONS inches (mm)

PORTS	A	B	C	DEPTH †	WEIGHT	WEIGHT	WEIGHT
					lb (kg) † with IR230	lb (kg) † with R230	lb (kg) † with FB230
1-1/2	6.6 (167.6)	3.5 (88.9)	6.2 (157.4)	5.5 (139.7)	8.70 (3.95)	8.93 (4.05)	9.13 (4.15)
2	6.6 (167.6)	3.5 (88.9)	6.2 (157.4)	5.5 (139.7)	8.42 (3.82)	8.65 (3.93)	8.85 (4.05)

† Less gauge.

SPECIFICATIONS

Inlet Pressure Range:

10 PSIG (min) to 450 PSIG (max) (0.7 TO 31 bar)

Outlet PSI Range: 0-250 PSI (17.2 bar)

Operating Temp: 0°F TO 175°F (-18°C to 79°C)
(Air moisture content must be dry)

Flow Rating: Flow rates exceed 2,000 SCFM.

Body: Cast aluminum

Dome: Cast aluminum

Cap: Teflon coated aluminum

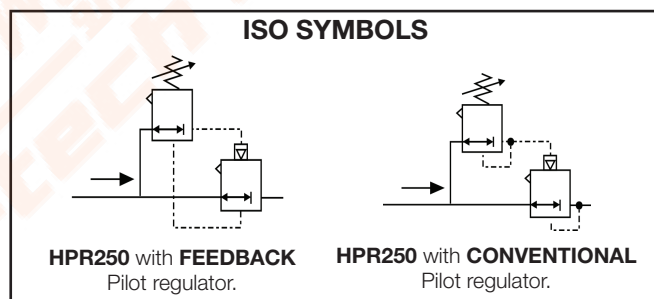
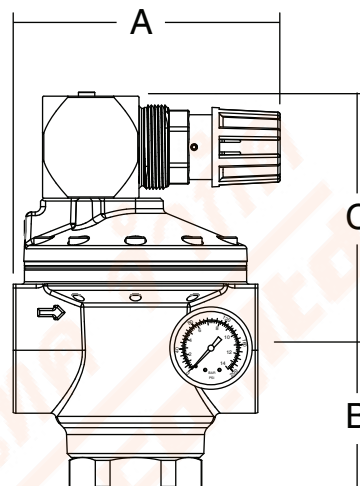
Valve: Nitrile bonded aluminum

Elastomers: Nitrile

Ports: 2" or 1-1/2-NPTF

Gauge Ports: 1/4-NPTF

Exhaust Port: 3/4-NPTF



ORDERING INFORMATION

Change the letters in the sample model number below to specify the regulator you want.

HPR250 - 0 A 0 A 0 A - A

PILOT REGULATOR

- HPR251 0
- HPR251-A (non relieving) 1

CONTROL REGULATOR

- FB230-Q (feed back) A
- IR230 (internal pilot) B
- R230 (general purpose) C

PORT SIZE

- 1-1/2 NPTF A
- 1-1/2-BSP B
- 2-NPTF C
- 2-BSP D

EXTERNAL CONNECTION

- None (used on all products except ... 0
FB230, feed back controller.
- Copper feed back line tubing 1
(only use for FB230-Q).

GAUGE OPTIONS

- No gauge A
- 0-200 psig (gauge on pilot regulator .. B
only).
- 0-300 psig (gauge on pilot regulator .. E
only).



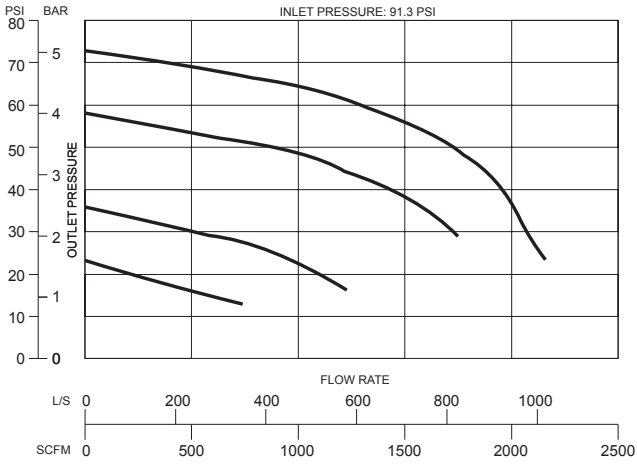
บริษัท ฟลูเทค จำกัด
FLU - TECH CO., TD

845/3-4 หมู่ 3 ถ.เทพารักษ์ ต.เทพารักษ์ อ.เมือง จ.สมุทรปราการ 102070
845/3-4 Thepharak RD., T. Thepharak, A. Muang, Samutprakan 10270 THAILAND
Tel. 0 2384 6060, Fax 0 2384 5701, Email : sales@flutech.co.th, www.flutech.co.th

FLOW CHARACTERISTICS

HPR250-0P0A0A

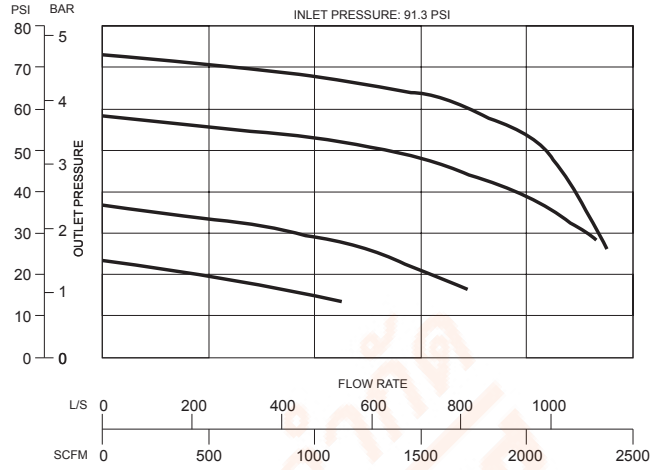
INLET PRESSURE: 91.3 PSI



FLOW CHARACTERISTICS

HPR250-0P0A0C

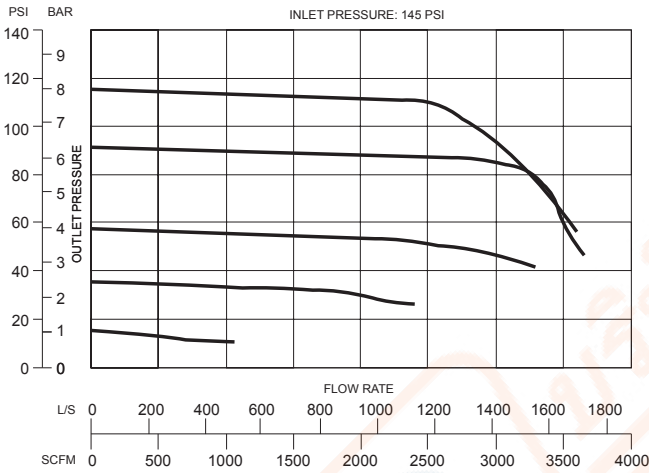
INLET PRESSURE: 91.3 PSI



FLOW CHARACTERISTICS

HPR250-0L0A0C

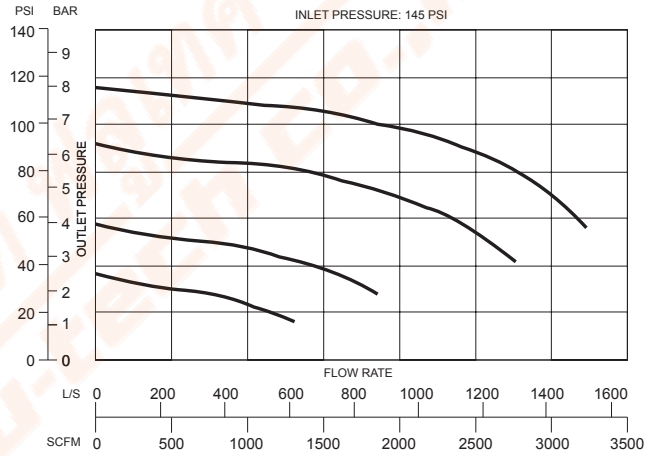
INLET PRESSURE: 145 PSI



FLOW CHARACTERISTICS

HPR250-0P0A0A

INLET PRESSURE: 145 PSI



SEAL KIT	DESCRIPTION
A250-44	SEAL KIT: inclusive for HPR251 pilot operated regulator and all its pilot (control regulators. Includes all o-rings/seals, breather filter and screen. Ther may be un-used parts in kit depending on which pilot model is being serviced.
A251-91	SEAL KIT: applies only to the HPR251 . Includes diaphragm assembly and 2 o-rings.
A250-40	SEAL KIT: applies only to HPR250 . Includes all o-rings/seals and screen for both pilot and pilot operated regulators.

DIAPHRAGM KITS	DESCRIPTION
A251-71	HPR251 DIAPHRAGM KIT. Includes diaphragm assembly and 2 o-rings.
A230-51	R230-*Q and IR230 diaphragm kit. Includes diaphragm assembly and 1 o-ring.
A230-52	R230 and FB230 diaphragm kit. Includes diaphragm assembly and 1 o-ring.

VALVE KITS	DESCRIPTION
A251-81	HPR251 valve kit. Includes valve, valve spring, washer, retaining ring and 2 o-rings.
A230-63	R230, R230-*Q and IR230 valve kit. Includes valve, valve spring and 2 o-rings.
A230-64	FB230 valve kit. Includes valve with bleed, valve spring and 2 o-rings.

