

Full-Size SERIES 380 Modular Coalescing Filters

FCD380 Models Port Sizes: 3/8, 1/2, 3/4

Available Color Caps



Model Shown: FCD380S-4

SPECIFICATIONS

Ambient/Media Temperature:

Plastic Bowl, all drain types: 40° to 125°F (4° to 52°C).
Metal Bowl, manual & auto drains: 40° to 175°F (4° to 79°C).
Metal Bowl, float drains: 40° to 150°F (4° to 66°C).

Body: Die-cast zinc.

Bowl: 9-Ounce (270-ml) capacity polycarbonate plastic with steel shatterguard; optional aluminum bowl with clear nylon sight glass. Optional 15-ounce (450-ml) extended aluminum bowl with a clear nylon sight glass and higher flow filter element.

Bowl Drain: Internal automatic drain; optional manual drain, internal float drain, or Warrior electronic drain.

Bowl Ring: Nylon.

Cap Color: Grey. Yellow, red, and blue optional.

Differential Pressure Gauge: Small K103-151.

Filter Element: 0.3- μ m-rated borosilicate-glass-fiber; optional 0.01- μ m-rated element (reduces flow by 20%).

Fluid Media: Compressed air.

Inlet Pressure:

Minimum: 15 psig (1 bar) with automatic drain, 30 psig (2 bar) with internal float drain.

Plastic bowl: 150 psig (10 bar).

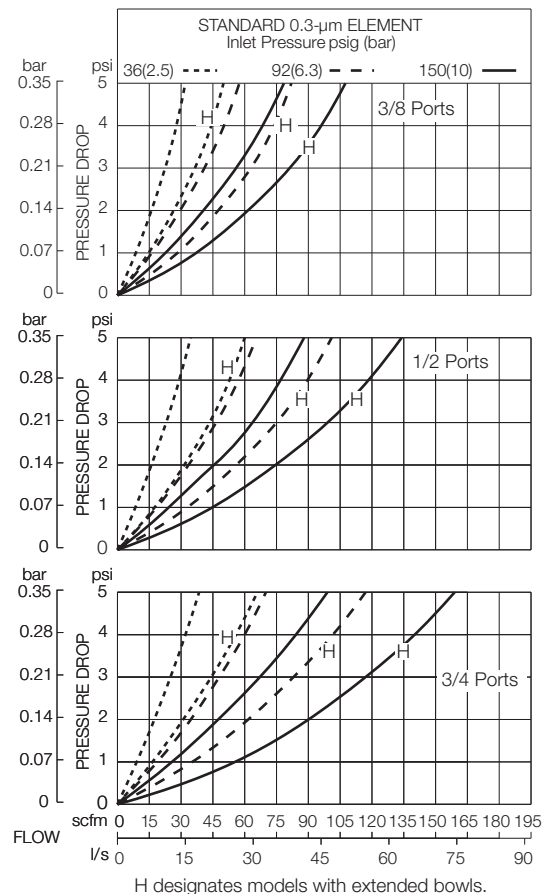
Metal bowl: 200 psig (14 bar).

Seals: Nitrile.

- ◆ Modular or inline mounting.
- ◆ 0.3- μ m-rated coalescing filter element; optional 0.01- μ m-rated element.
- ◆ Polycarbonate plastic bowl with steel shatter-guard; optional metal bowl with sight glass.
- ◆ Optional extended metal bowl with higher capacity filter element included.
- ◆ Differential pressure gauge to indicate when filter element needs changing.
- ◆ Internal automatic bowl drain; optional manual drain, internal float drain, or Warrior electronic drain.
- ◆ NPTF port threads; optional BSPP threads.

APPLICATION NOTE: A general purpose filter must be installed ahead of a coalescing filter to ensure good performance and to extend the life of the coalescing element.

FLOW CHARTS



บริษัท ฟลูเทค จำกัด
FLU-TECH CO.,LTD

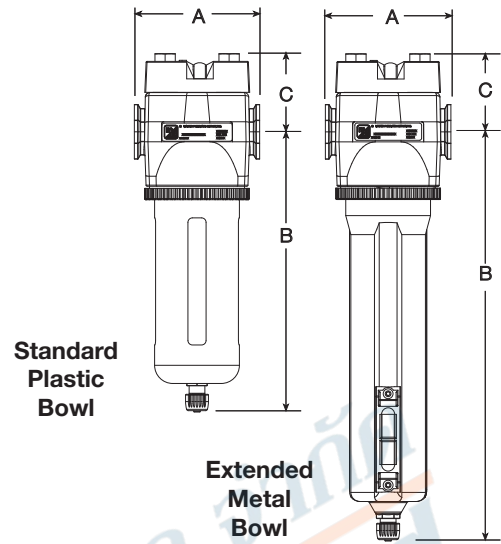
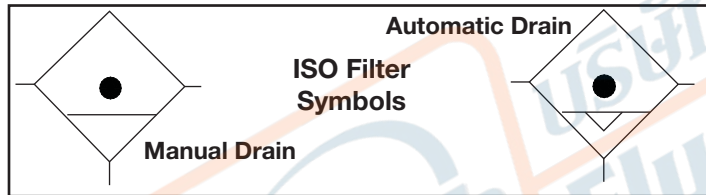
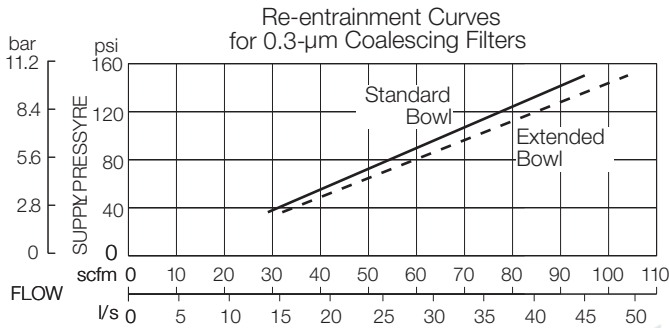
845/3-4 หมู่ 3 ถ.เทพารักษ์ ต.เทพารักษ์ อ.เมือง จ.สมุทรปราการ 10270

845/3-4 Thepharak RD., T.Thepharak, A.Muang, Samutprakarn 10270 THAILAND
Tel. 0 2384 6060, Fax 0 2384 5701, Email : sales@flutech.co.th, www.flutech.co.th

DIMENSIONS inches (mm)

Bowl	A	B †	C	Depth	Weight lb (kg)
Polycarbonate	3.5 (88)	7.7 (195)	2.2 (55)	2.9 (73)	2.13 (0.97)
9-Ounce Metal	3.5 (88)	7.6 (193)	2.2 (55)	3.1 (79)	2.13 (0.97)
Extended Metal	3.5 (88)	11.2 (284)	2.2 (55)	3.1 (79)	2.31 (1.05)

† Bowl removal clearance: add 3.1 (79) for 9-ounce bowl; 6.1 (155) for extended bowl.



REPLACEMENT FILTER ELEMENT KITS

Element Type	Kit Number
0.3 µm Standard bowl	A115-117
0.3 µm Extended bowl	A115-118
0.01 µm Standard bowl	A115-117E8
0.01 µm Extended bowl	A115-118E8

ORDERING INFORMATION

Change the letters in the sample model number below to specify the filter you want.

B F C D 380 S - 3 Y W

BOWL AND DRAIN TYPE (Metal bowls contain a sight glass)

- Plastic bowl, internal automatic drain FCD
- Metal bowl, internal automatic drain B F C D
- Plastic bowl, manual drain F C
- Metal bowl, manual drain B F C
- Plastic bowl, internal float drain (plastic stem) ... F C 5 A
- Metal bowl, internal float drain (brass stem) B F C 6 A
- Metal bowl, warrior electronic drain B F C 2 A

BOWL SIZE and DIFFERENTIAL PRESSURE GAUGE

Standard Bowls - 9 ounce:

- Tapped ports on head, no gauge 380
- Tapped ports on head, small gauge 380S
- Tapped ports on head, large gauge 380L
- Tapped ports on head, large gauge 380E
- with normally **OPEN** reed switch.
- Tapped ports on head, large gauge 380E2
- with normally **CLOSED** reed switch.

Extended Bowls - 15 ounce high flow:

- (Only available with metal bowl option. Also use 'B' options under **BOWL AND DRAIN TYPE** section.)
- Tapped ports on head, no gauge 380H
- Tapped ports on head, small gauge 380HS
- Tapped ports on head, large gauge 380HL
- Tapped ports on head, large gauge 380HE
- with normally **OPEN** reed switch.
- Tapped ports on head, large gauge 380HE2
- with normally **CLOSED** reed switch.

PORT TYPE

- NPTF threads Leave blank
- BSPP threads W

OPTIONS (More than one option can be chosen. Add in alphabetical order.)

- None Leave Blank

Cap color:

- Grey Leave Blank
- Yellow C1
- Red C2
- Blue C3

Filter element:

- 0.3-µm rating Leave Blank
- 0.01-µm rating E8
- No bowl drain LDC
- (1/4 NPT female port instead. Also use 'BFC' option under **BOWL AND DRAIN TYPE** section.)

PORT SIZE

- 3/8 NPTF 3
- 1/2 NPTF 4
- 3/4 NPTF 6



บริษัท ฟลูเทค จำกัด
FLU-TECH CO.,LTD

845/3-4 หมู่ 3 ถ.เทพารักษ์ ต.เทพารักษ์ อ.เมือง จ.สมุทรปราการ 10270

845/3-4 Thepharak RD., T.Thepharak, A.Muang, Samutprakarn 10270 THAILAND
Tel. 0 2384 6060, Fax 0 2384 5701, Email : sales@flutech.co.th, www.flutech.co.th