

# SERIES 350 Modular Oil Vapor Removal (Adsorbing) Filters



Model Shown: FC350-4C1E9

## Available Color Caps



# FC350-E9 Models Port Sizes: 1/4, 3/8, 1/2

The adsorbing filter is designed to remove vapors from the air line that cannot be removed by a coalescing filter. It produces air free of oil and hydrocarbons as required by industries such as food processing, electronics, and instrumentation. An adsorbing filter preceded by a coalescing filter and a general purpose filter constitute a Clean Air Package as shown on the following pages.

- ◆ Modular or inline mounting.
- ◆ Designed to remove oil vapor that cannot be removed by a coalescent filter. Also removes odors and tastes.
- ◆ Filter cartridge contains activated carbon.
- ◆ Inlet pressure rated at 250 psig (17 bar) with metal bowls up to or at 175° F. (79° C.).
- ◆ Color caps available for visual management systems. (Blue, red, yellow and grey). Consult factory for custom colors.
- ◆ Front mounted modular clamping design with encapsulated screws.
- ◆ Compatible with modular 380 series of products.
- ◆ Polycarbonate plastic bowl with shatterguard. Optional metal bowl.
- ◆ NPTF port threads; optional BSPP threads.

## SPECIFICATIONS

### Ambient/Media Temperature:

Plastic bowl, manual drain 40° to 125°F (4° to 52°C) Metal bowl, manual drain 40° to 175°F (4° to 79°C)

**Bowl:** 5.1-Ounce (151-ml) capacity Polycarbonate plastic with nylon shatterguard; optional 6.0 ounce (177-ml) aluminum bowl with clear nylon sight glass. Optional 10-ounce (300-ml) extended aluminum bowl with clear nylon sight glass and extended flow filter element.

**Bowl Drain:** Manual drain.

**Cap Color:** yellow, Optional red, blue and grey.

**Filter Cartridge:** Activated carbon with urethane seals.

**Fluid Media:** Compressed air.

### Inlet Pressure:

Plastic bowl & manual drain: 0-150 psig (0-10 bar).

Plastic bowl & Float drain: 30-150 psig (2-10 bar).

Metal bowl & manual drain: 0-250 psig (0-17 bar).

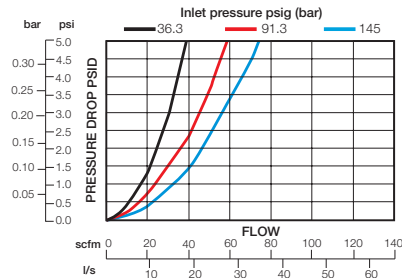
Metal bowl & Float drain: 30-200 psig (2-14 bar).

**Seals:** Nitrile.

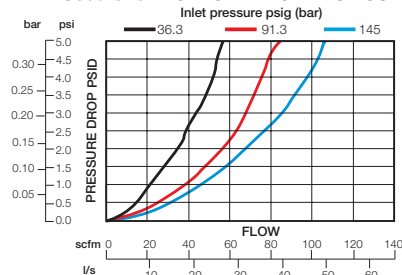
**APPLICATION NOTE:** General purpose and coalescing filter must be installed upstream of the Adsorbing filter to ensure good performance and to extend the life of the element.

## FLOW CHARTS

### FC350-2E9 FLOW CHARACTERISTICS



### FC350-3E9 FLOW CHARACTERISTICS



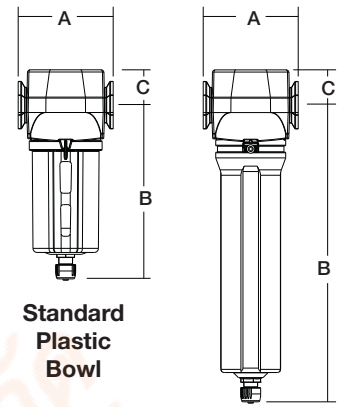
บริษัท ฟลูเทค จำกัด  
FLU - TECH CO., TD

845/3-4 หมู่ 3 ถ.เทพารักษ์ อ.เมือง จ.สมุทรปราการ 10270  
845/3-4 Thepharak RD., T. Thepharak, A. Muang, Samutprakan 10270 THAILAND  
Tel. 0 2384 6060, Fax 0 2384 5701, Email : sales@flutech.co.th, www.flutech.co.th

## DIMENSIONS inches (mm)

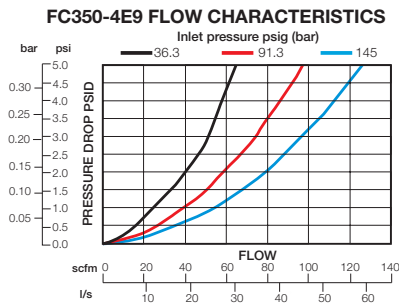
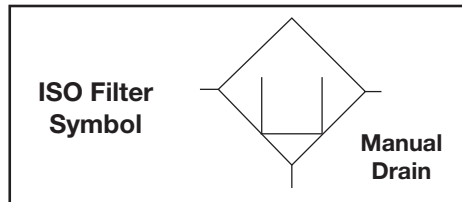
Bowl	A	B †	C	Depth	Weight lb (kg)
Std plastic	3.0 (76.2)	5.54 (140.7)	1.12 (28.3)	2.51 (63.8)	1.29 (0.59)
Std metal	3.0 (76.2)	6.42 (163.1)	1.12 (28.3)	2.76 (70.1)	1.41 (0.64)
Ext metal	3.0 (76.2)	9.51 (241.6)	1.12 (28.3)	2.76 (70.1)	1.54 (0.70)

† Bowl (standard) removal clearance: add 3.1 (79)  
 † Bowl (extended) removal clearance: add 6.1 (155)



**Standard  
Plastic  
Bowl**

**Extended  
Metal Bowl**



## REPLACEMENT FILTER ELEMENT KITS

Bowl Size	Kit Number
Standard (Std element).....	A60F-29E9
Extended.....	A60F-32E9

## ORDERING INFORMATION

Change the letters in the sample model number below to specify the filter you want.

# BFC 350 H - 3 C1 E9 W

### BOWL AND DRAIN TYPE

- Plastic bowl, manual drain ..... FC
- Metal bowl, manual drain ..... BFC

### BOWL LENGTH

- Standard length ..... Leave Blank
- Extended bowl length ..... H  
(Must be used with metal bowl option shown in BOWL AND DRAIN TYPE).

### PORT TYPE

- NPTF threads ..... Leave blank
- BSP threads ..... W

### OPTIONS

#### Cap color:

- Yellow (standard) ..... C1
- Red ..... C2
- Mid blue ..... C3
- Grey ..... Leave Blank

### PORT SIZE

- 1/4 NPTF ..... 2
- 3/8 NPTF ..... 3
- 1/2 NPTF ..... 4



**บริษัท ฟลูเทค จำกัด**  
**FLU - TECH CO., TD**

845/3-4 หมู่ 3 ถ.เทพารักษ์ ต.เทพารักษ์ อ.เมือง จ.สมุทรปราการ 102070  
 845/3-4 Thepharak RD., T. Thepharak, A. Muang, Samutprakan 10270 THAILAND  
 Tel. 0 2384 6060, Fax 0 2384 5701, Email : sales@flutech.co.th, www.flutech.co.th