



### Cylinder; to DIN ISO 15552

- According to DIN6431 (new ISO 15552)
- Metal version
- Smooth design
- Screwed together on the inside



Product variants described in the data sheet may differ from the product presentation and description.

#### Type description

The double-acting cylinder features magnetic pistons and adjustable end position damping. The adjusting screws for end position damping are located on the connection side and can be adjusted with an Allen key. The adjusting screws are secured to prevent them from unscrewing.

## Table of contents

<b>1. General technical data</b>	<b>3</b>
<b>2. Dimensions</b>	<b>4</b>
<b>3. Performance specifications</b>	<b>5</b>
3.1. Force chart.....	5
3.2. Permissible side load (in N) for cylinder TZU002.....	5
<b>4. Ordering information</b>	<b>6</b>
4.1. Bürkert eShop – Easy ordering and quick delivery.....	6
4.2. Bürkert product filter.....	6
4.3. Ordering chart.....	6



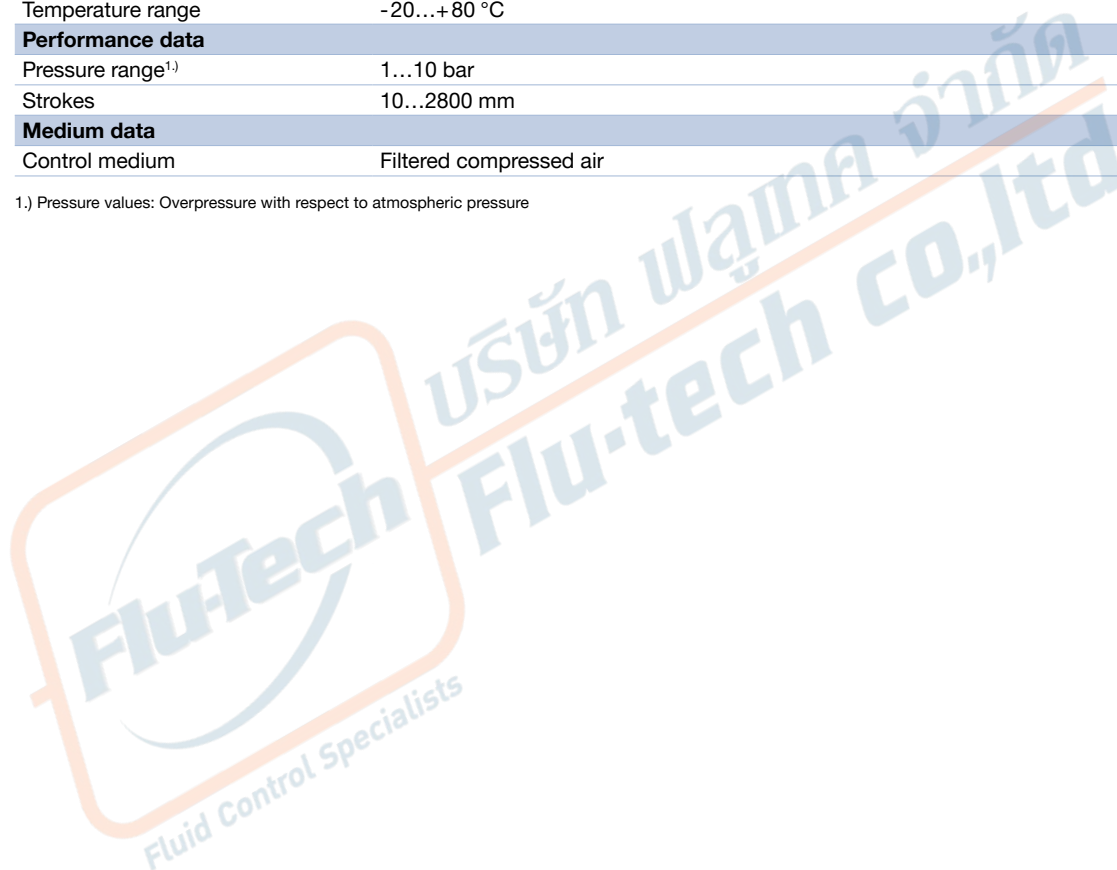
## 1. General technical data

### Note:

Other versions on request

Product properties	
Dimensions	Detailed information can be found in chapter "2. Dimensions" on page 4.
Material	
Piston diameter	Stainless steel
Cylinder head	Die-cast aluminium painted
Cylinder tube	Anodised aluminium profile
Seal	PU/NBR
Temperature range	-20...+80 °C
Performance data	
Pressure range <sup>1.)</sup>	1...10 bar
Strokes	10...2800 mm
Medium data	
Control medium	Filtered compressed air

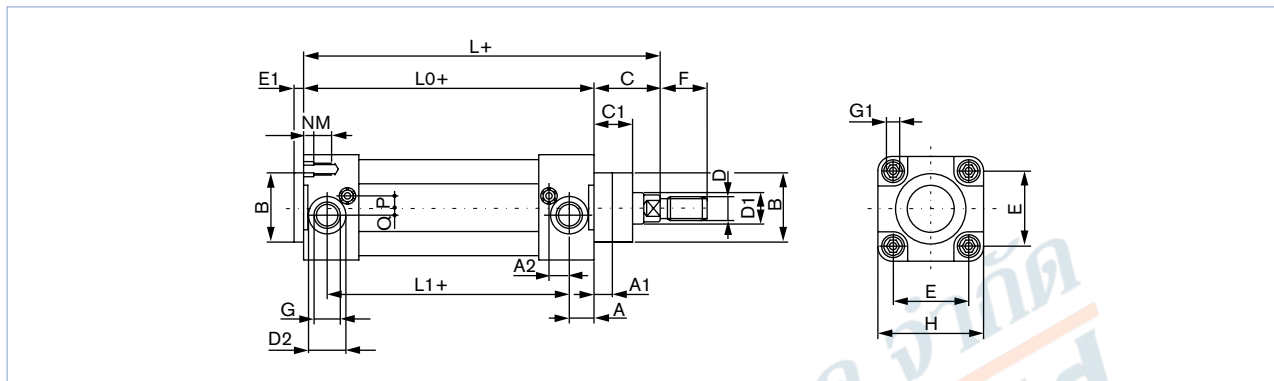
1.) Pressure values: Overpressure with respect to atmospheric pressure



## 2. Dimensions

### Note:

Dimensions in mm



Dimensions	Kolbendurchmesser [mm]							
	32	40	50	63	80	100	125	
A	10	12	14	16	18	20	25	
A1	6.5	8	13	14	12	14	20	
A2	10	10	10	10	12	12	10	
B	30	35	40	45	45	55	60	
C	26	30	37	37	46	51	65	
C1	16	20	25	25	33	38	45	
D	M10×1.25	M12×1.25	M16×1.5	M16×1.5	M20×1.5	M20×1.5	M27×2	
D1	12	16	20	20	25	25	32	
D2	15	19	19	23	23	27	27	
E	32.5	38	46.5	56.5	72	89	110	
E1	4	4	4	4	4	4	6	
F	22	24	32	32	40	40	54	
G	G 1/8	G 1/4	G 1/4	G 3/8	G 3/8	G 1/2	G 1/2	
G 1	M6	M6	M8	M8	M10	M10	M12	
H	46	54	64.5	75.5	94	111	135	
L	120	135	143	158	174	189	225	
L0	94	105	106	121	128	138	160	
L1	74	81	78	89	92	98	145	
M	14.5	14.5	17.5	17.5	21.5	21.5	25.5	
N	4.5	4.5	5.5	5.5	5.5	5.5	6.5	
P	6	6	6	6	10	10	12	
Q	4	4	6	6	7	7	8	

### 3. Performance specifications

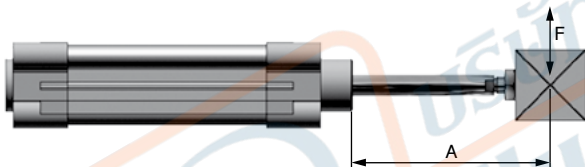
#### 3.1. Force chart

**Note:**

- Operating pressure 6 bar
- The internal friction is considered.

Piston diameter [mm]	Double-acting cylinder	
	Extension force [N]	Retraction force [N]
32	434	373
40	678	570
50	1060	890
63	1682	1513
80	2713	2448
100	4239	3974
125	6623	6189


#### 3.2. Permissible side load (in N) for cylinder TZU002



Piston diameter [mm]	Distance A [mm]											
	25	40	50	80	100	125	160	200	250	320	400	500
32	75	55	50	40	34	28	23	20	16	12	9	7
40	175	150	130	105	91	78	62	55	45	35	28	21
50 and 63	220	180	170	130	120	105	90	80	65	52	43	33
80 and 100	500	450	400	350	310	270	230	205	180	150	125	100
125	810	710	680	590	520	470	420	390	330	270	230	200

## 4. Ordering information

### 4.1. Bürkert eShop – Easy ordering and quick delivery




**Bürkert eShop – Easy ordering and fast delivery**

You want to find your desired Bürkert product or spare part quickly and order directly? Our online shop is available for you 24/7. Sign up and enjoy all the benefits.

[Order online now](#)

### 4.2. Bürkert product filter



**Bürkert product filter – Get quickly to the right product**


You want to select products comfortably based on your technical requirements? Use the Bürkert product filter and find suitable articles for your application quickly and easily.

[Try out our product filter](#)

### 4.3. Ordering chart

**Note:**

- The delivery of the cylinder includes a piston rod nut.
- Other versions on request

Circuit function	Piston diameter [mm]	Stroke [mm]	Article no.
			double-acting
	32	50	780242
		100	780244
		160	780246
	40	50	780251
		100	780253
		160	780255
	50	50	780260
		100	780262
		160	780264
		200	780265
	63	50	780269
		100	780271
160		780273	
200		780274	
80	100	780280	
	160	780282	
	200	780283	
100	100	780289	
	160	780291	
	200	780292	
125	100	780298	
	160	780300	